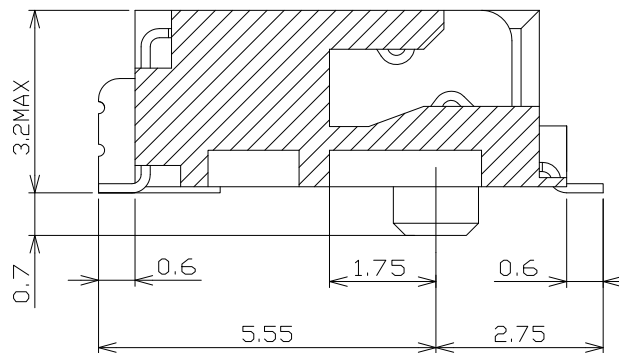
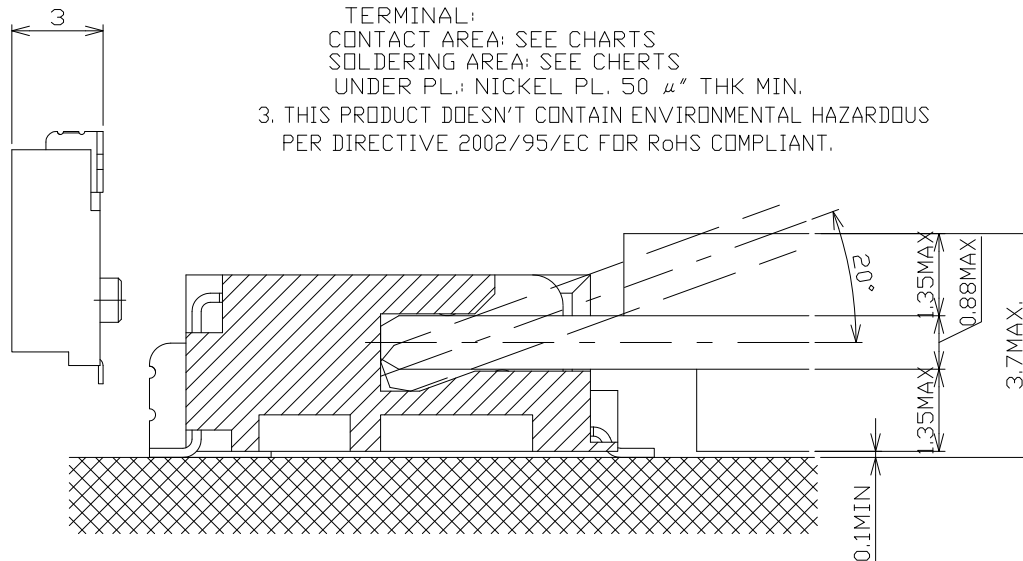
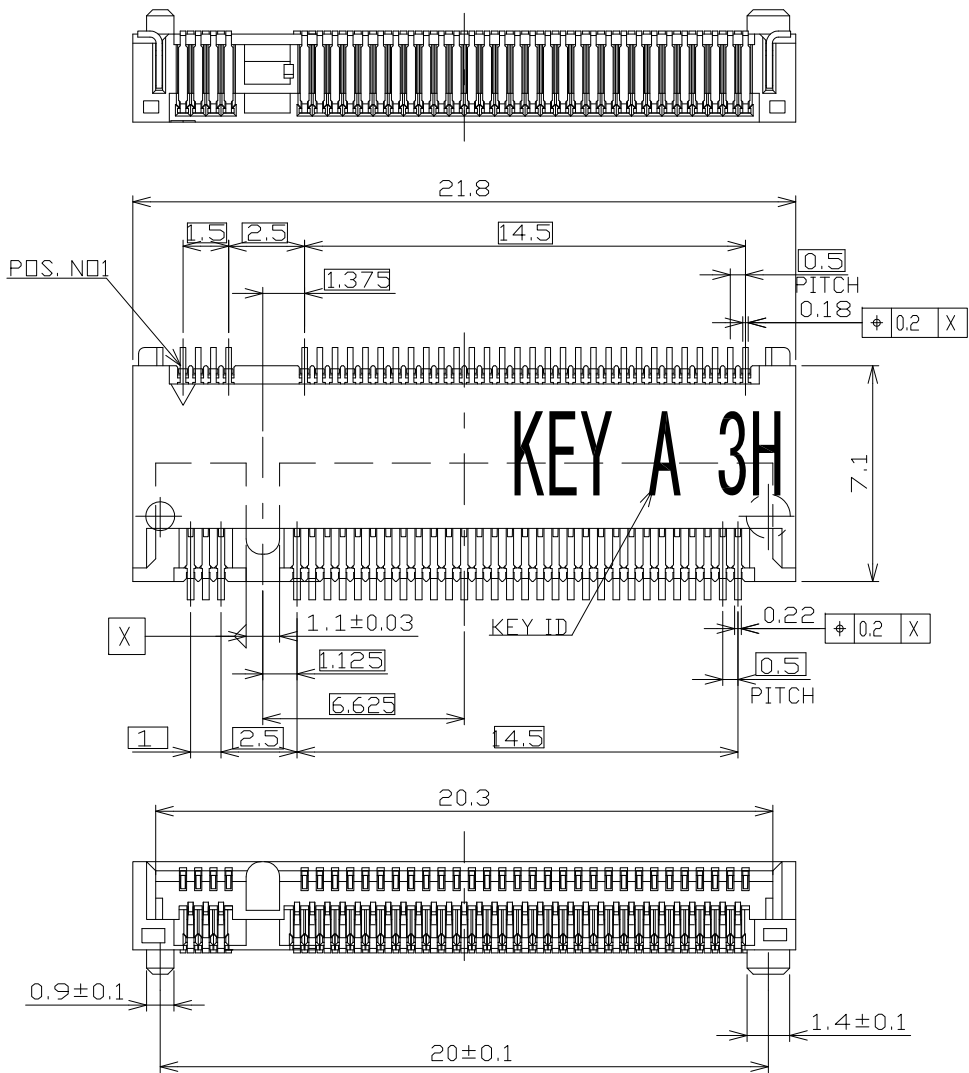


RoHS Compliant

SYMBOL	REV.	REVISION	APPROVAL	DATE
	A	新版圖紙	Winky	2013. 10. 07

- NOTES:
- MATERIAL:
HOUSING: HIGH TEMPERATURE THERMO PLASTIC UL94V-0
TERMINAL: COPPER ALLOY
SOLDER PEG: COPPER ALLOY
 - FINISH:
TERMINAL:
CONTACT AREA: SEE CHARTS
SOLDERING AREA: SEE CHARTS
UNDER PL.: NICKEL PL. 50 μ" THK MIN.
 - THIS PRODUCT DOESN'T CONTAIN ENVIRONMENTAL HAZARDOUS PER DIRECTIVE 2002/95/EC FOR RoHS COMPLIANT.



KEY A	Au:30 μ"	DI18-NSEB567RLH
	Au:15 μ"	DI18-NSEB467RLH
	GOLD FLASH	DI18-NSEB067RLH
KEY ID	FINISH	PART NO.

COLOR:BLACK
GENERAL TOLERANCE ±0.20

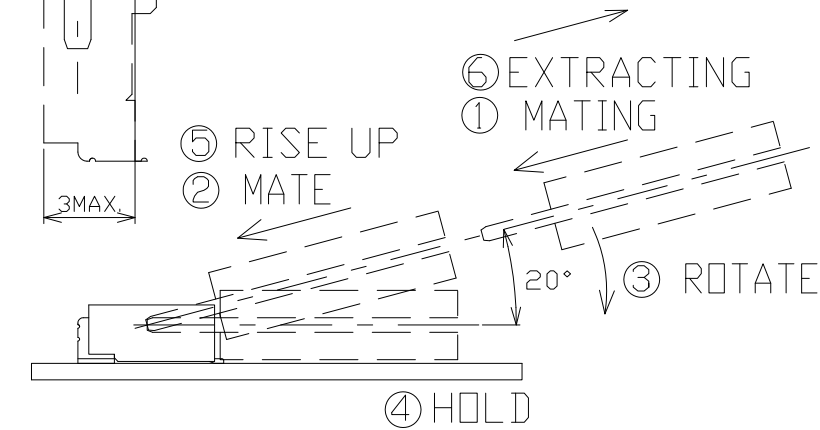
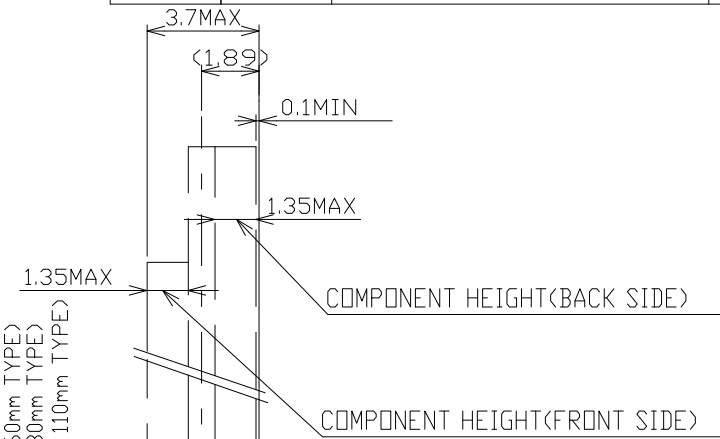
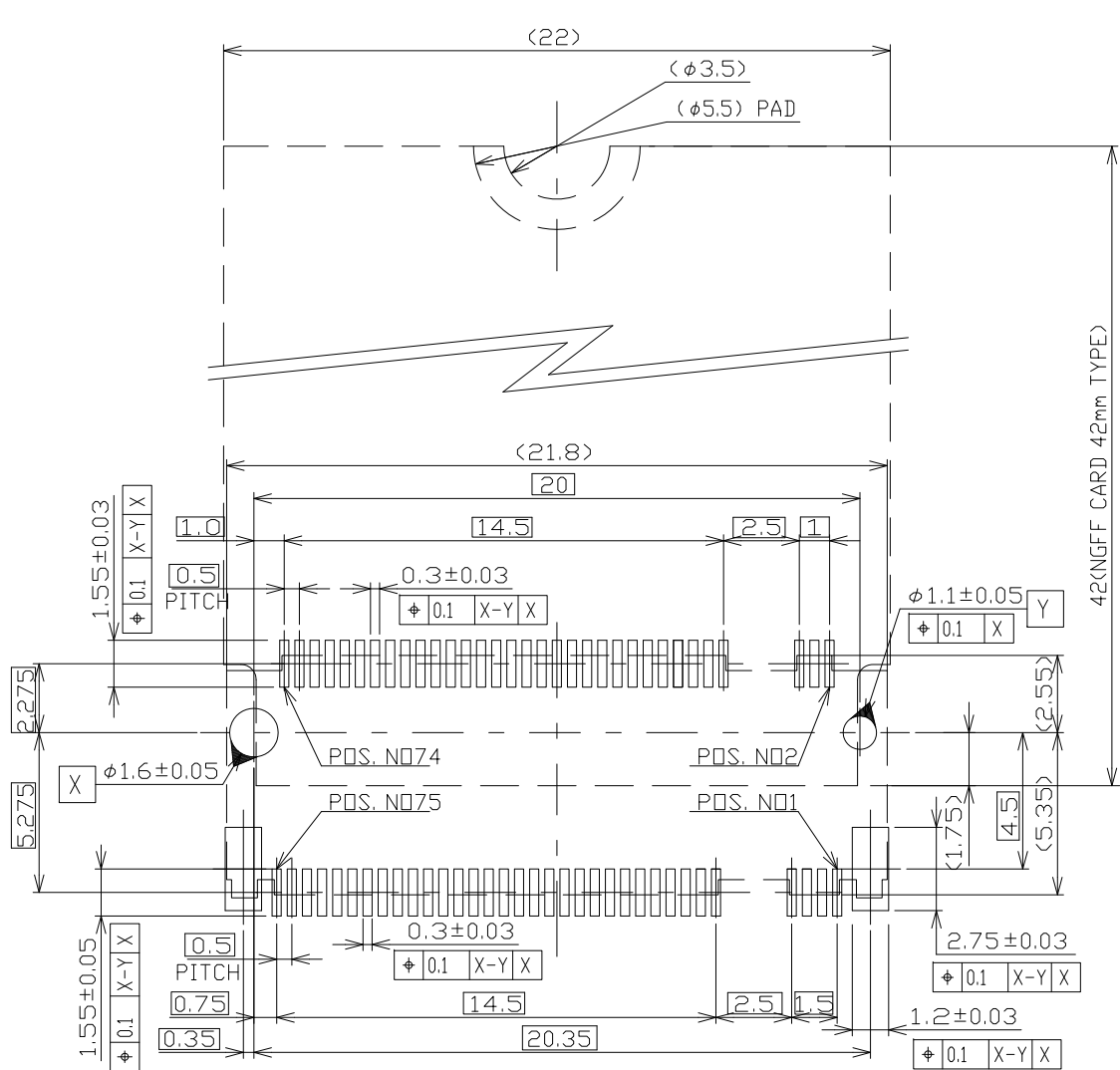
DST-conn Tech. Co., Ltd.

COPYRIGHT RESERVED, PLEASE DO NOT COPY.

PART NAME	NGFF CONN. 3H KEY ID A TYPE	DRAWING	Winky	DWG. No.	DI18
PART NO.	DI18-NSEBx67RLH	CHECK	Roy	REV.	A
UNIT : mm	TOLERANCE UNLESS OTHERWISE SPECIFIED	ANGLE	John	DATE	2013. 10. 07
		±3°	SCALE	1:1	PAGE

RoHS Compliant

SYMBOL	REV.	REVISION	APPROVAL	DATE
	A	新版圖紙	Winky	2013. 10. 07



KEY ID "A"
RECOMMENDED P.C.BOARD LAYOUT

COLOR: BLACK
GENERAL TOLERANCE ±0.20

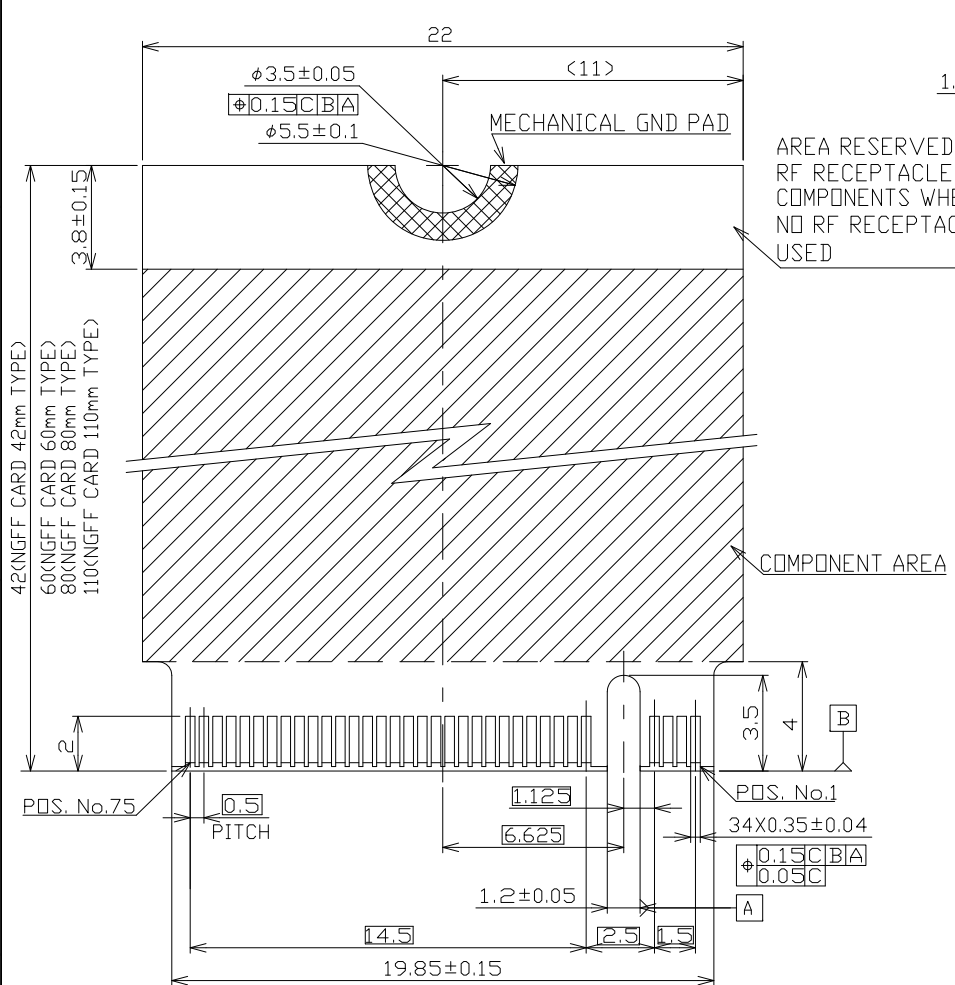
DST-conn Tech. Co., Ltd.

COPYRIGHT RESERVED, PLEASE DO NOT COPY.

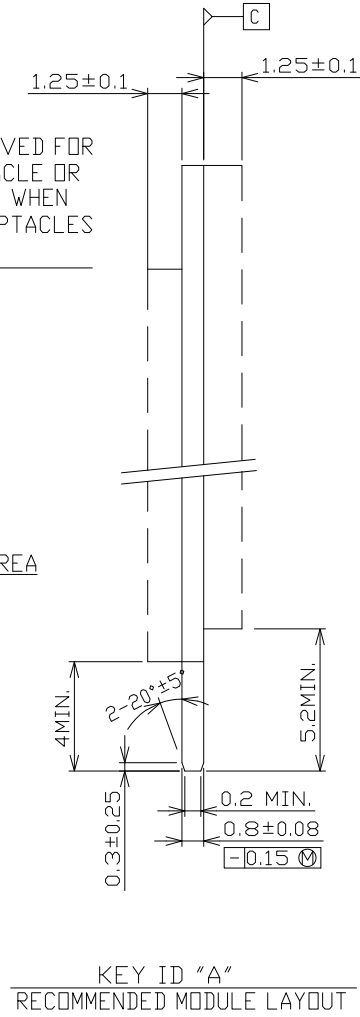
PART NAME	NGFF CONN. 3H KEY ID A TYPE	DRAWING	Winky	DWG. No.	D118
PART NO.	DI18-NSEBx67RLH	CHECK	Roy	REV.	A
UNIT : mm	TOLERANCE UNLESS OTHERWISE SPECIFIED	ANGLE	John	DATE	2013. 10. 07
		±3°	SCALE	1:1	PAGE

RoHS Compliant

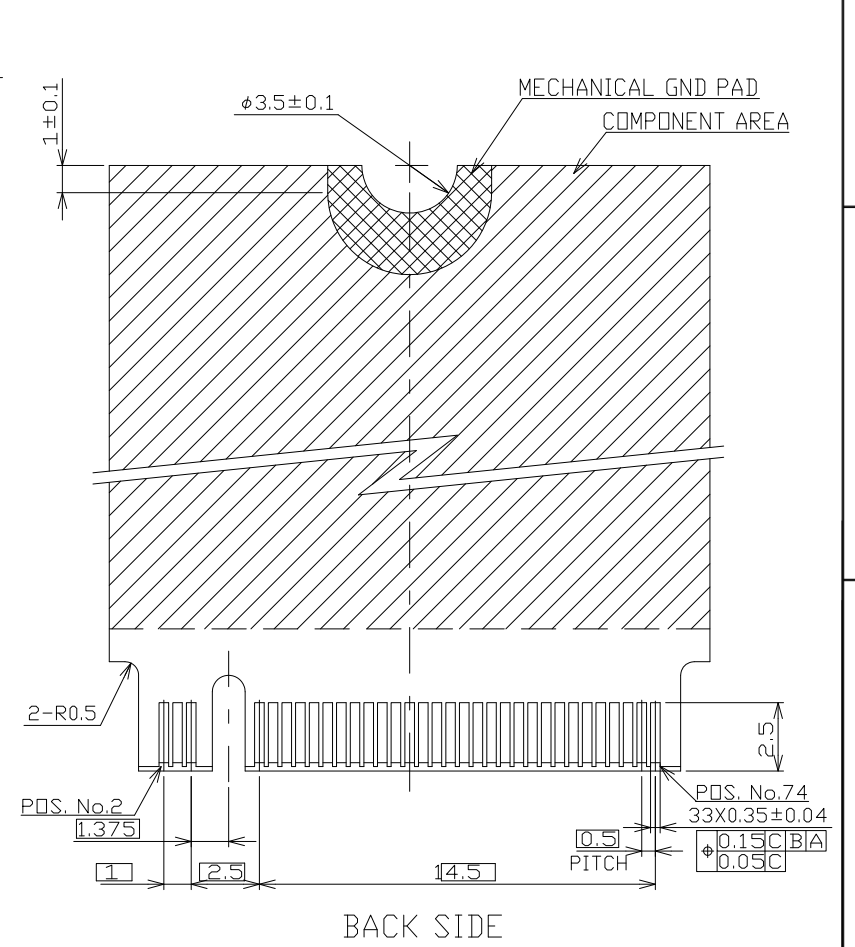
SYMBOL	REV.	REVISION	APPROVAL	DATE
	A	新版圖紙	Winky	2013. 10. 07



FRONT SIDE



KEY ID "A"
RECOMMENDED MODULE LAYOUT



BACK SIDE

COLOR: BLACK
GENERAL TOLERANCE ±0.20

DST-conn Tech. Co., Ltd.

COPYRIGHT RESERVED, PLEASE DO NOT COPY.

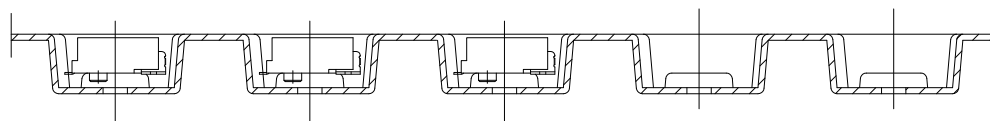
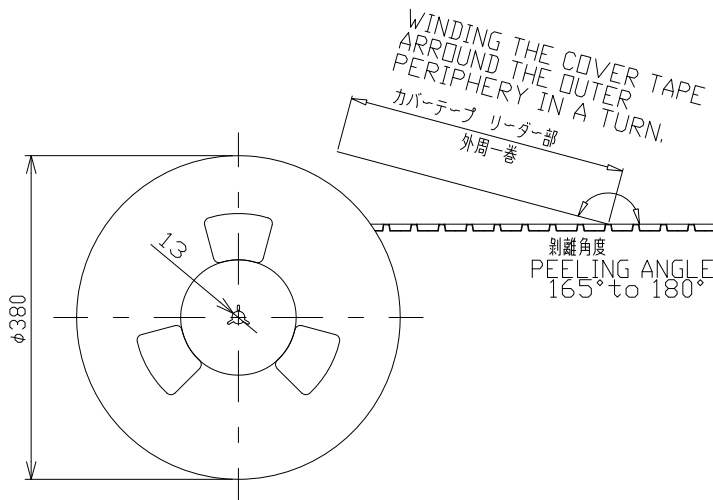
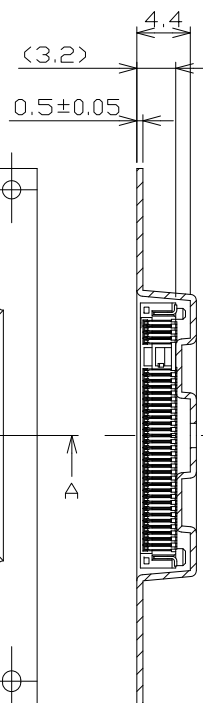
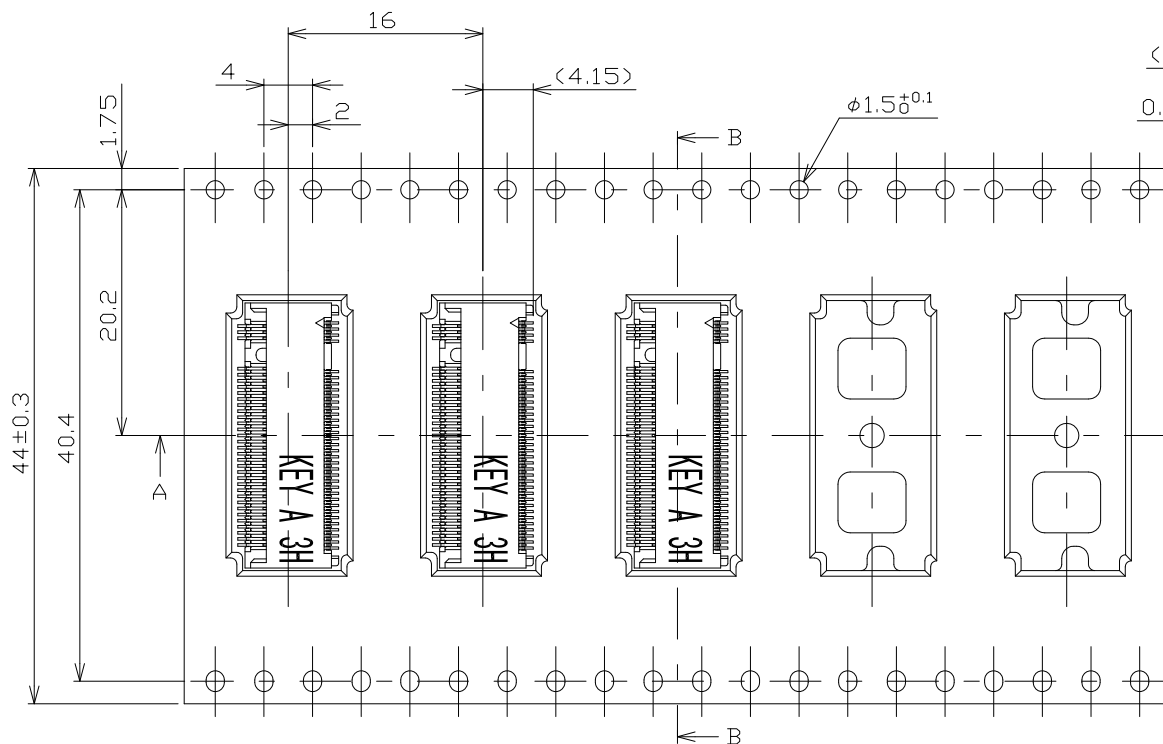
PART NAME	NGFF CONN. 3H KEY ID A TYPE	DRAWING	Winky	DWG. No.	D118
PART NO.	DI18-NSEBx67RLH	CHECK	Roy	REV.	A
UNIT : mm	TOLERANCE UNLESS OTHERWISE SPECIFIED	ANGLE	John	DATE	2013. 10. 07
		±3°	SCALE	1:1	PAGE

F E D C B A

RoHS Compliant

SYMBOL	REV.	REVISION	APPROVAL	DATE
	A	新版圖紙	Winky	2013. 10. 07

DIRECTION OFF TOP OF REEL



NOTES:

1. THE DIRECTION OF EACH CONNECTOR ON A EMBOSS IS REFERED TO THIS DRAWING.
2. GENERAL TOLERANCE : ± 0.5 , $\pm 3^\circ$
3. PACKAGED IN EMBOSS TAPE AND PLASTIC REEL 1200 PCS PRE REEL.

COLOR:BLACK
GENERAL TOLERANCE ± 0.20

DST-conn Tech. Co., Ltd.

COPYRIGHT RESERVED, PLEASE DO NOT COPY.

PART NAME	NGFF CONN. 3H KEY ID A TYPE	DRAWING	Winky	DWG. No.	D118
PART NO.	DI18-NSEBx67RLH	CHECK	Roy	REV.	A
UNIT : mm	TOLERANCE UNLESS OTHERWISE SPECIFIED	ANGLE	John	DATE	2013. 10. 07
		$\pm 3^\circ$	SCALE	PAGE	4 OF 4