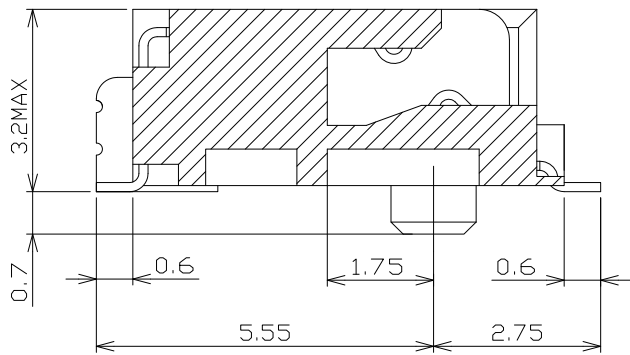
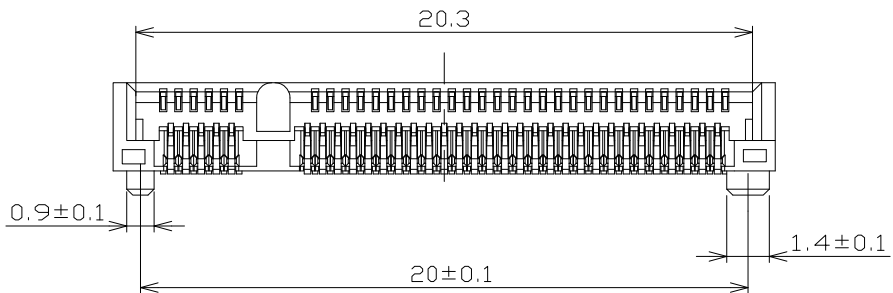
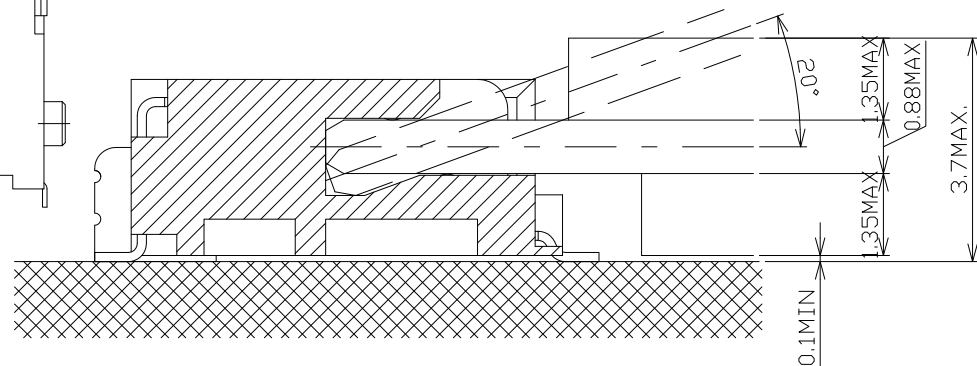
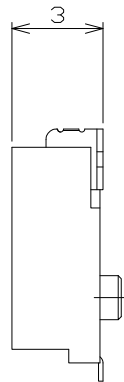
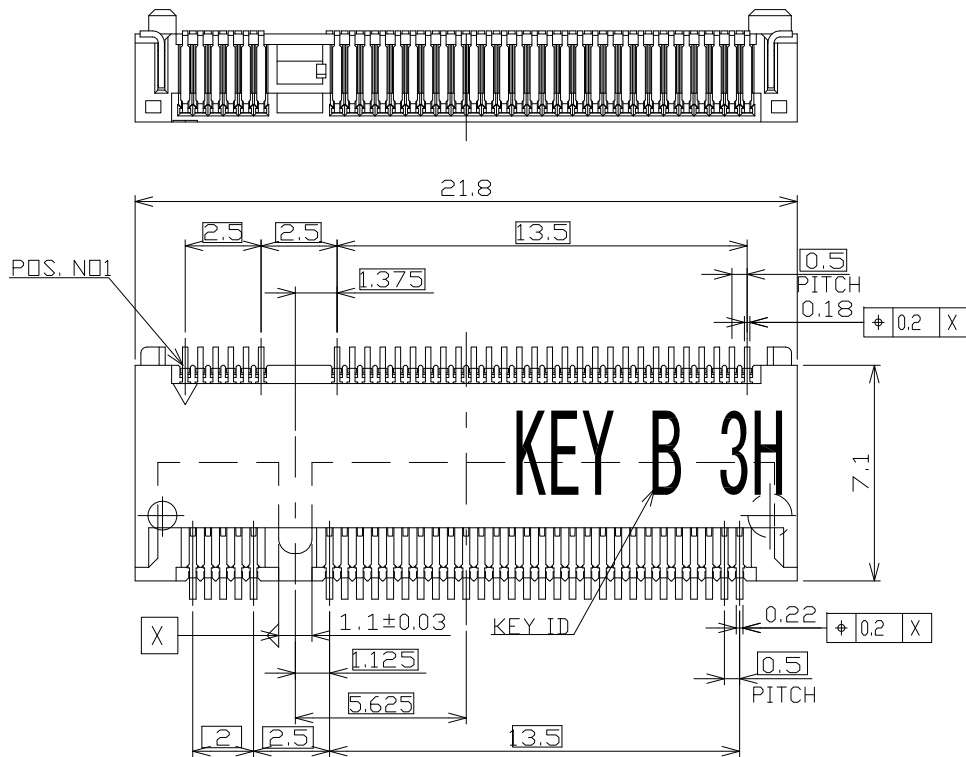


RoHS Compliant

SYMBOL	REV.	REVISION	APPROVAL	DATE
	A	新版圖紙	Winky	2013. 10. 07

- NOTES:
- MATERIAL:
HOUSING: HIGH TEMPERATURE THERMO PLASTIC UL94V-0
TERMINAL: COPPER ALLOY
SOLDER PEG: COPPER ALLOY
 - FINISH:
TERMINAL:
CONTACT AREA: SEE CHARTS
SOLDERING AREA: SEE CHERTS
UNDER PL.: NICKEL PL. 50 μ" THK MIN.
 - THIS PRODUCT DOESN'T CONTAIN ENVIRONMENTAL HAZARDOUS PER DIRECTIVE 2002/95/EC FOR RoHS COMPLIANT.



COLOR:BLACK
GENERAL TOLERANCE ±0.20

KEY B	Au:30 μ"	DI20-NSEB567RLH
	Au:15 μ"	DI20-NSEB467RLH
	GOLD FLASH	DI20-NSEB067RLH
KEY ID	FINISH	PART NO.

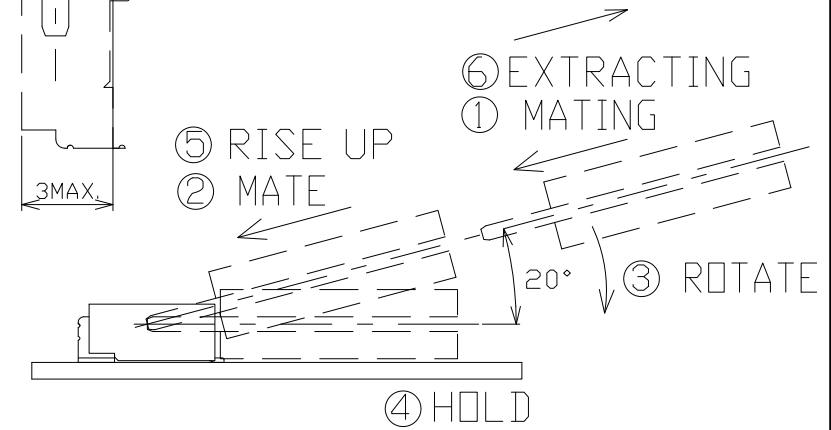
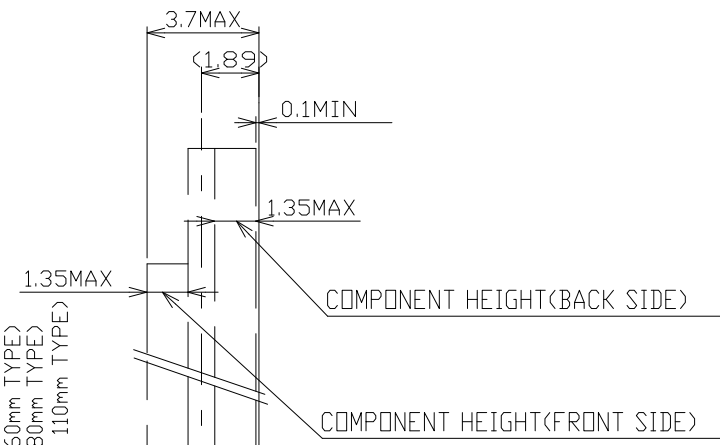
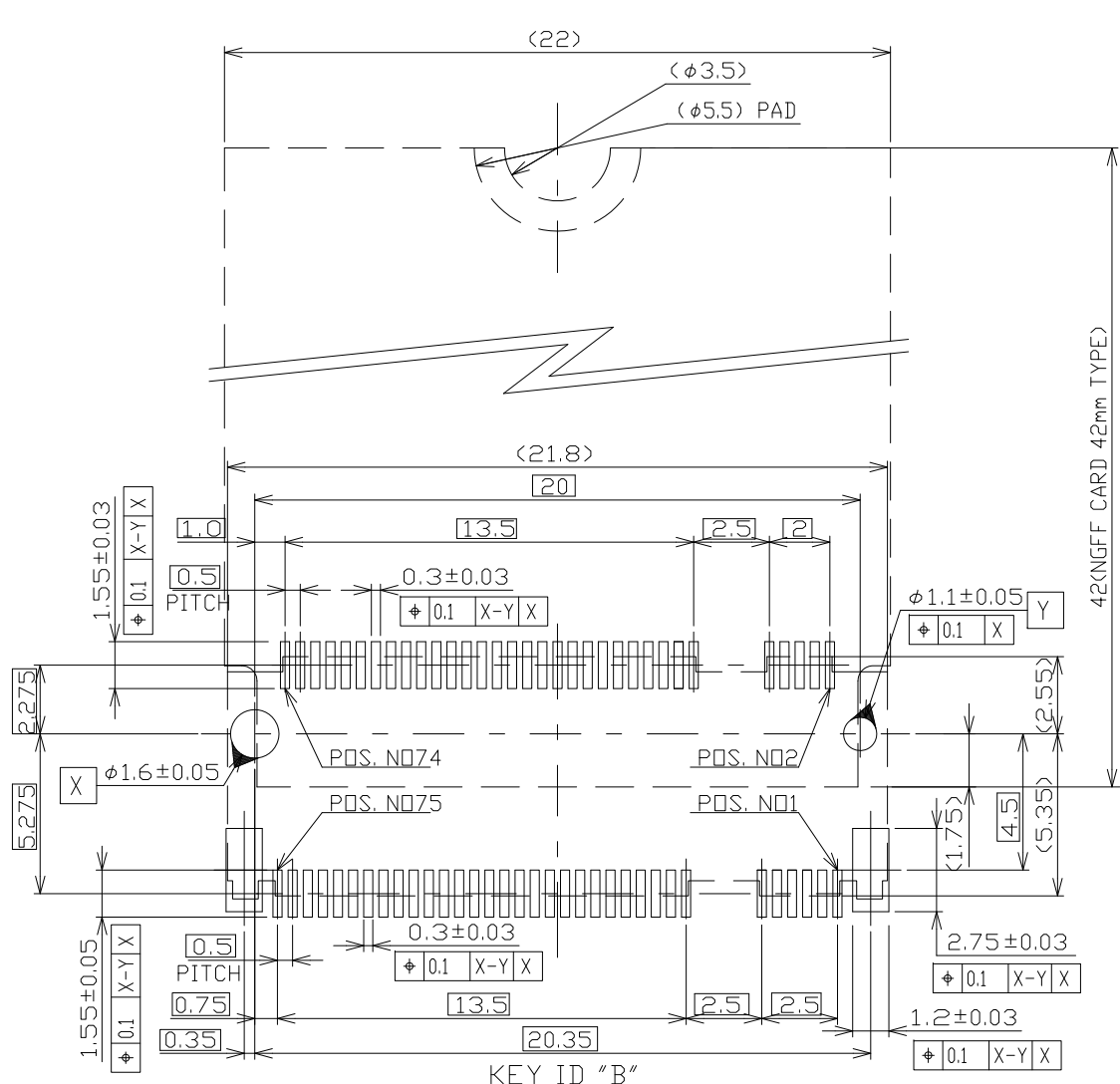
DST-conn Tech. Co., Ltd.

COPYRIGHT RESERVED, PLEASE DO NOT COPY.

PART NAME	NGFF CONN. 3H KEY ID B TYPE	DRAWING	Winky	DWG. No.	DI20
PART NO.	DI20-NSEBx67RLH	CHECK	Roy	REV.	A
UNIT : mm	TOLERANCE UNLESS OTHERWISE SPECIFIED	ANGLE	John	DATE	2013. 10. 07
		±3°	SCALE	1:1	PAGE

RoHS Compliant

SYMBOL	REV.	REVISION	APPROVAL	DATE
	A	新版圖紙	Winky	2013. 10. 07



COLOR:BLACK
GENERAL TOLERANCE ±0.20

KEY ID "B"
RECOMMENDED P.C.BOARD LAYOUT

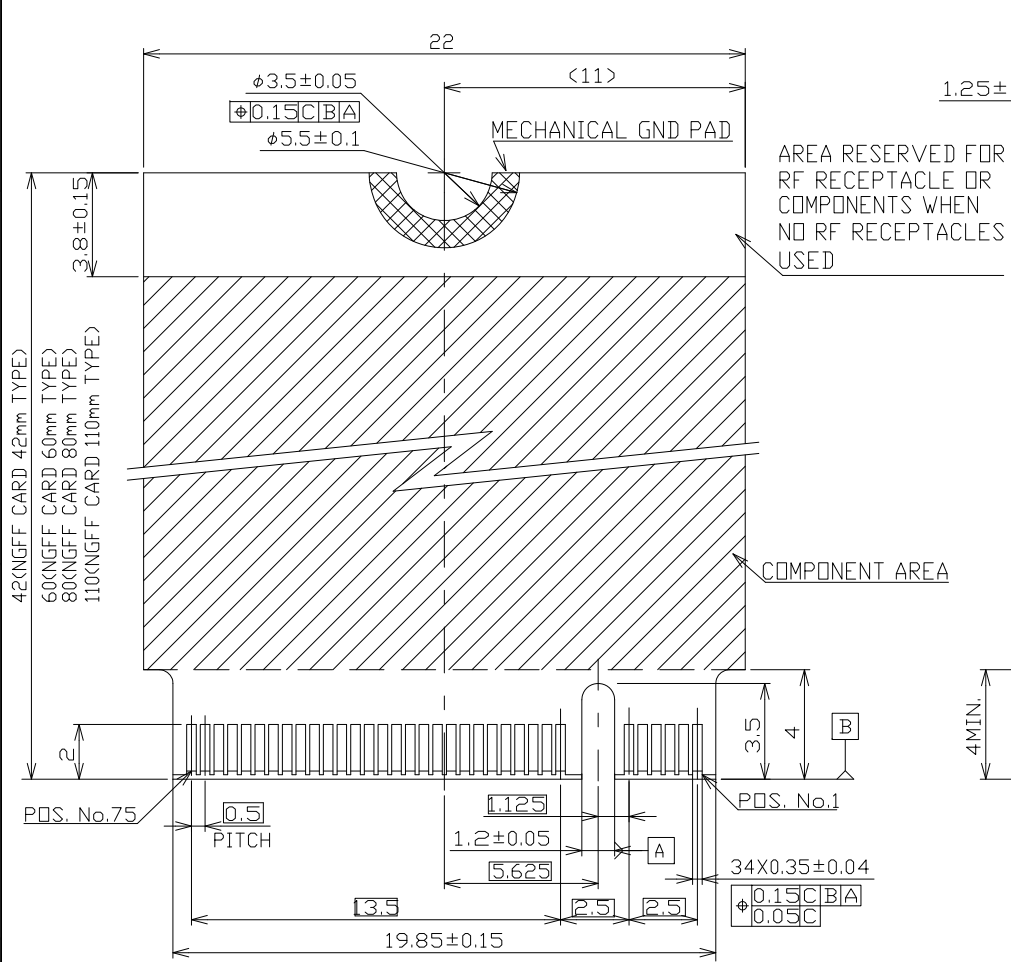
DST-conn Tech. Co., Ltd.

COPYRIGHT RESERVED, PLEASE DO NOT COPY.

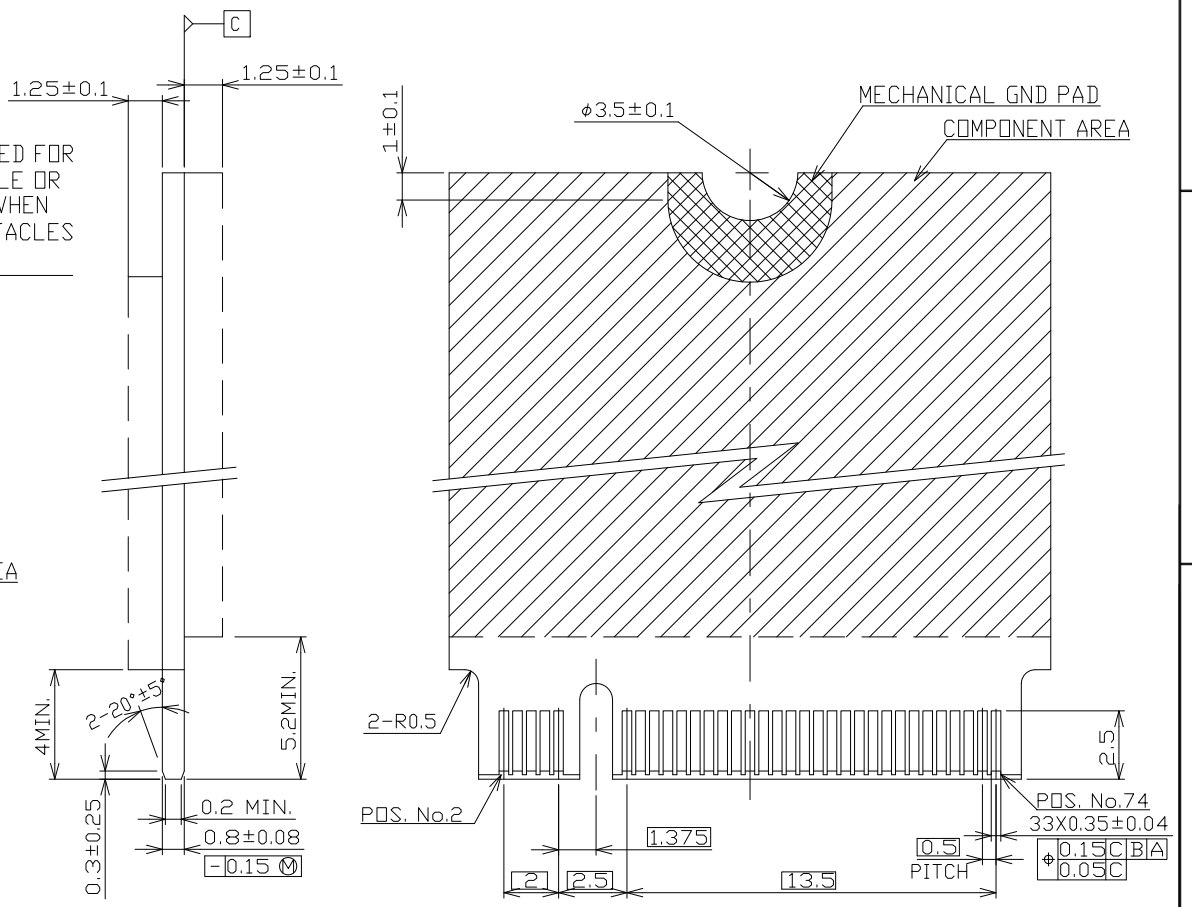
PART NAME		NGFF CONN. 3H KEY ID B TYPE		DRAWING		Winky		DWG. No.		D120		
PART NO.		D120-NSEBx67RLH		CHECK		Roy		REV.		A		
UNIT : mm	TOLERANCE UNLESS OTHERWISE SPECIFIED			ANGLE ±3°	APPROVAL		John		DATE		2013. 10. 07	
					SCALE		1:1		PAGE		2 OF 4	

RoHS Compliant

SYMBOL	REV.	REVISION	APPROVAL	DATE
	A	新版圖紙	Winky	2013. 10. 07



FRONT SIDE



BACK SIDE

KEY ID "B"
RECOMMENDED MODULE LAYOUT

COLOR:BLACK
GENERAL TOLERANCE ±0.15

DST-conn Tech. Co., Ltd.

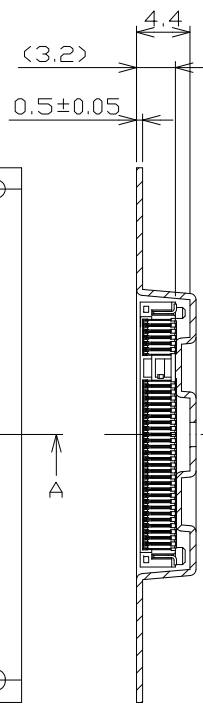
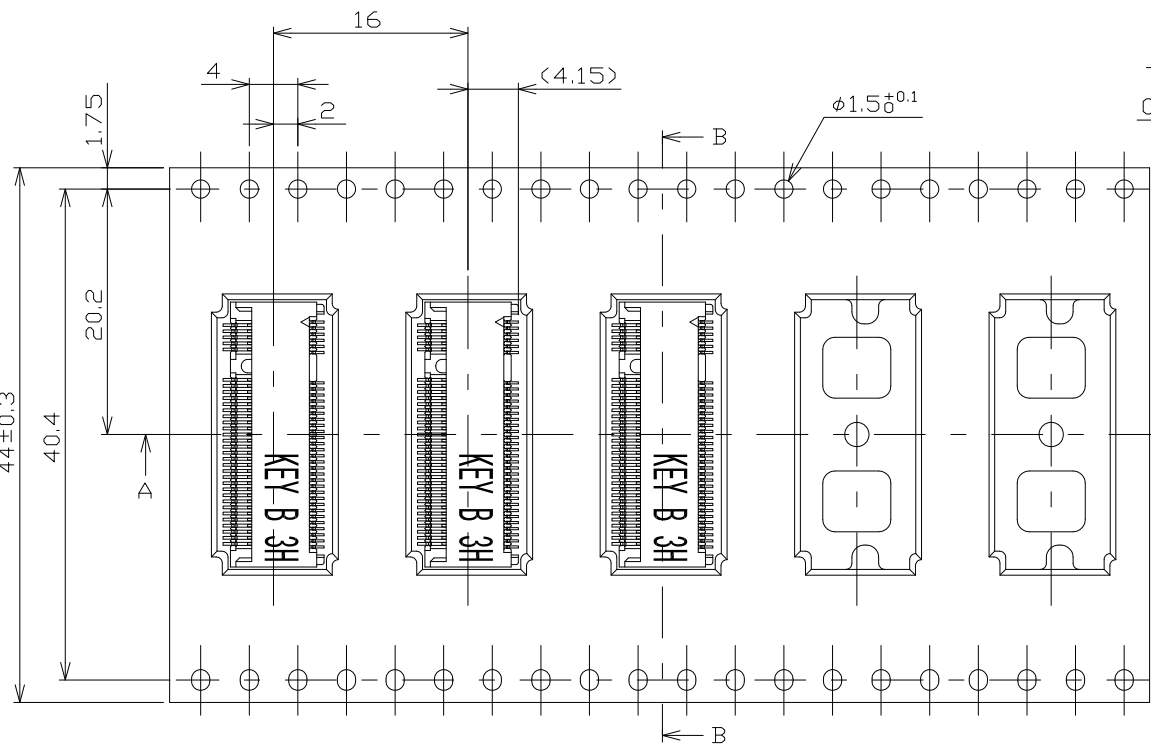
COPYRIGHT RESERVED, PLEASE DO NOT COPY.

PART NAME		NGFF CONN. 3H KEY ID B TYPE		DRAWING		Winky		DWG. No.		D120	
PART NO.		D120-NSEBx67RLH		CHECK		Roy		REV.		A	
UNIT : mm	TOLERANCE UNLESS OTHERWISE SPECIFIED			ANGLE	APPROVAL	John	DATE	2013. 10. 07			
				±3°	SCALE	1:1	PAGE	3 OF 4			

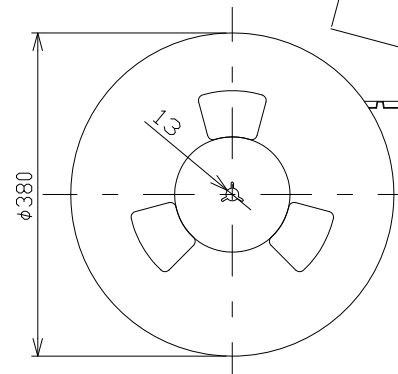
RoHS Compliant

SYMBOL	REV.	REVISION	APPROVAL	DATE
	A	新版圖紙	Winky	2013. 10. 07

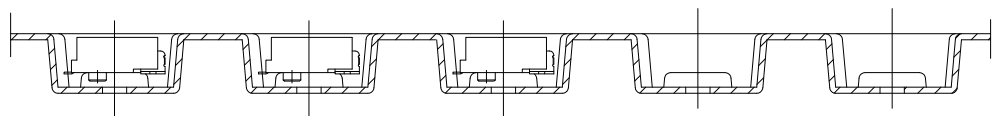
DIRECTION OFF TOP OF REEL



SECT B-B



WINDING THE COVER TAPE
AROUND THE OUTER
PERIPHERY IN A TURN.
カバートープ リーダー部
外周一巻
剥離角度
PEELING ANGLE
165° to 180°



SECT A-A

NOTES:

1. THE DIRECTION OF EACH CONNECTOR ON A EMBOSS IS REFERED TO THIS DRAWING.
2. GENERAL TOLERANCE : ±0.5 , ±3°
3. PACKAGED IN EMBOSS TAPE AND PLASTIC REEL 1200 PCS PRE REEL.

COLOR:BLACK
GENERAL TOLERANCE ±0.20

DST-conn Tech. Co., Ltd.

COPYRIGHT RESERVED, PLEASE DO NOT COPY.

PART NAME	NGFF CONN. 3H KEY ID B TYPE	DRAWING	Winky	DWG. No.	D120
PART NO.	D120-NSEBx67RLH	CHECK	Roy	REV.	A
UNIT : mm	TOLERANCE UNLESS OTHERWISE SPECIFIED	ANGLE	John	DATE	2013. 10. 07
		±3°	SCALE	1:1	PAGE