

F

E

D

C

B

A

RoHS Compliant

SYMBOL

REV.

REVISION

APPROVAL

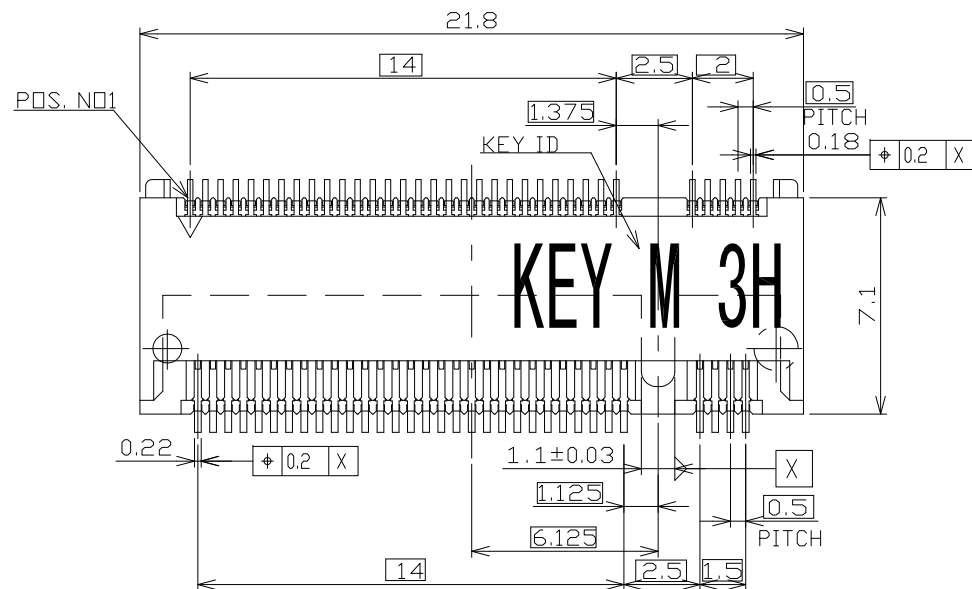
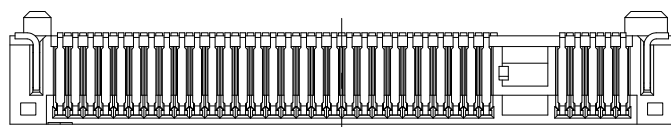
DATE

A

新版圖紙

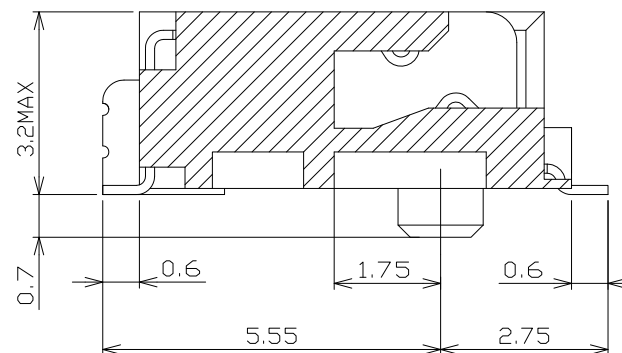
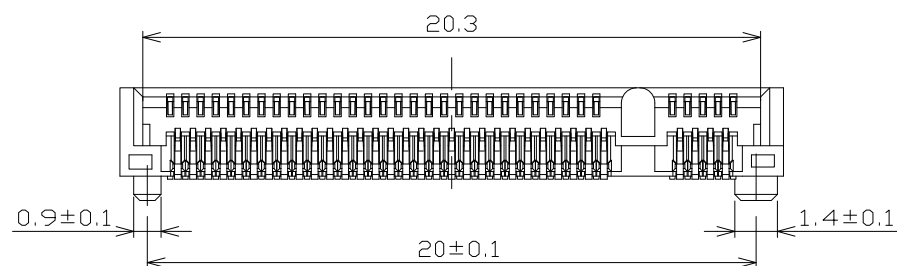
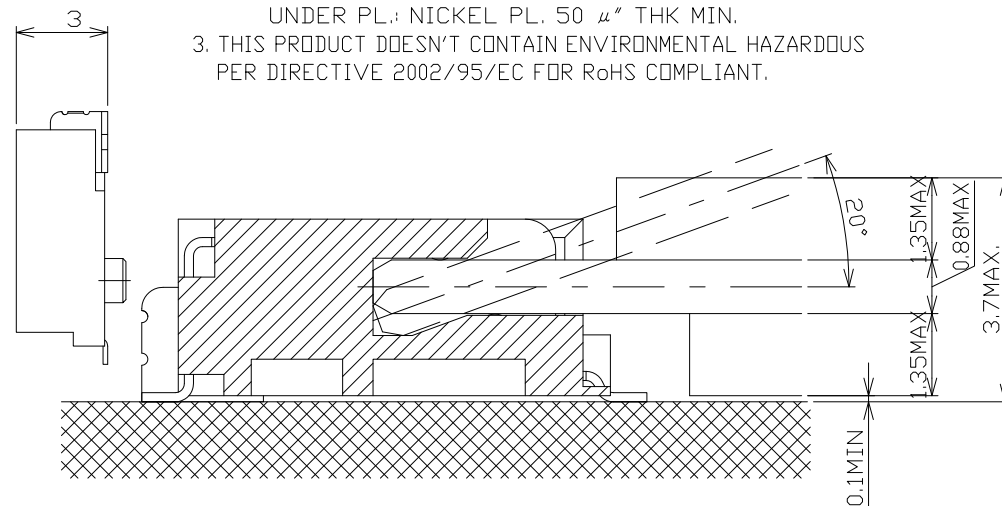
Winky

2013. 10. 07



NOTES:

- MATERIAL:
HOUSING: HIGH TEMPERATURE THERMO PLASTIC UL94V-0
TERMINAL: COPPER ALLOY
SOLDER PEG: COPPER ALLOY
- FINISH:
TERMINAL:
CONTACT AREA: SEE CHARTS
SOLDERING AREA: SEE CHARTS
UNDER PL.: NICKEL PL. 50 μ" THK MIN.
- THIS PRODUCT DOESN'T CONTAIN ENVIRONMENTAL HAZARDOUS PER DIRECTIVE 2002/95/EC FOR RoHS COMPLIANT.



KEY M	Au:30 μ"	DI21-NSEB567RLH
	Au:15 μ"	DI21-NSEB467RLH
	GOLD FLASH	DI21-NSEB067RLH
KEY ID	FINISH	PART NO.

COLOR:BLACK
GENERAL TOLERANCE ±0.20

DST-conn Tech. Co., Ltd.

COPYRIGHT RESERVED, PLEASE DO NOT COPY.

PART NAME	NGFF CONN. 3H KEY ID M TYPE	DRAWING	Winky	DWG. No.	DI21
PART NO.	DI21-NSEBx67RLH	CHECK	Roy	REV.	A
UNIT : mm	TOLERANCE UNLESS OTHERWISE SPECIFIED	ANGLE	John	DATE	2013. 10. 07
		±3°	SCALE	1:1	PAGE

F

E

D

C

B

A

RoHS Compliant

SYMBOL	REV.	REVISION	APPROVAL	DATE
	A	新版圖紙	Winky	2013. 10. 07

1

2

3

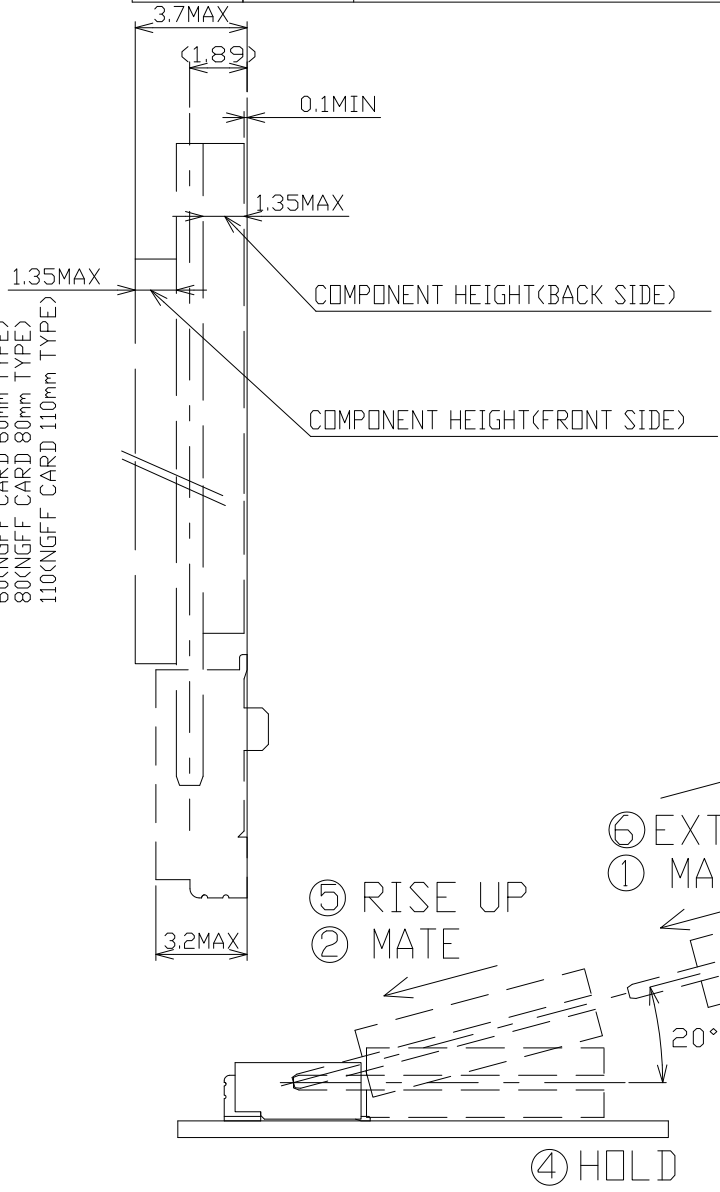
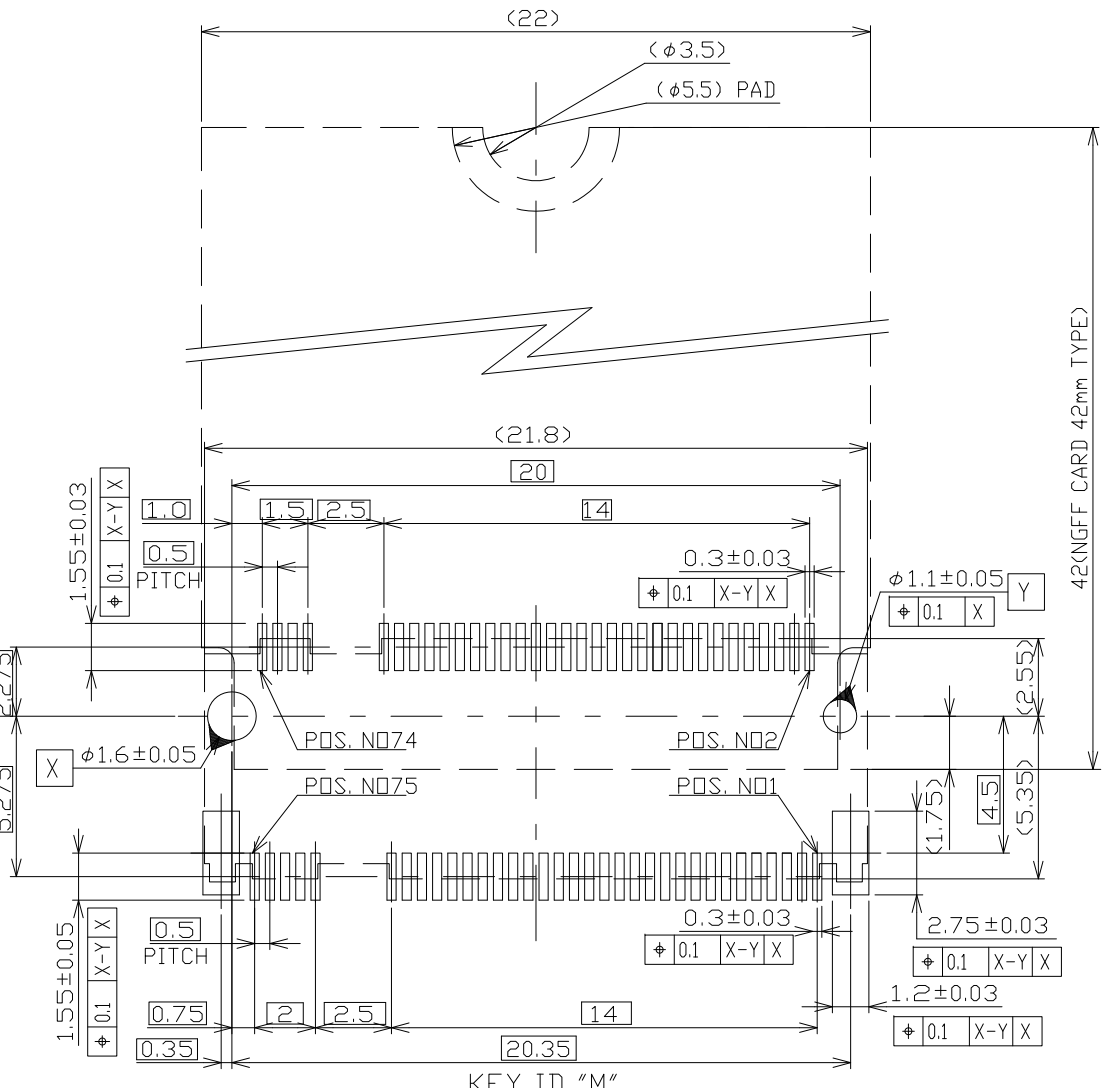
4

1

2

3

4



COLOR:BLACK
GENERAL TOLERANCE ±0.20

KEY ID "M"
RECOMMENDED P.C.BOARD LAYOUT

DST-conn Tech. Co., Ltd.

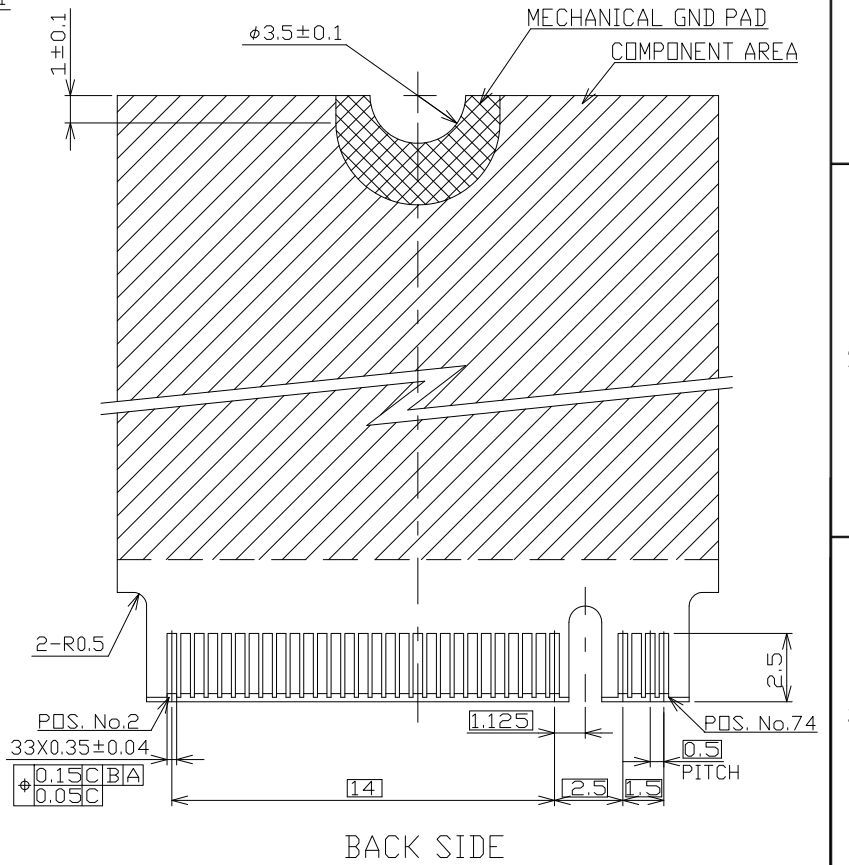
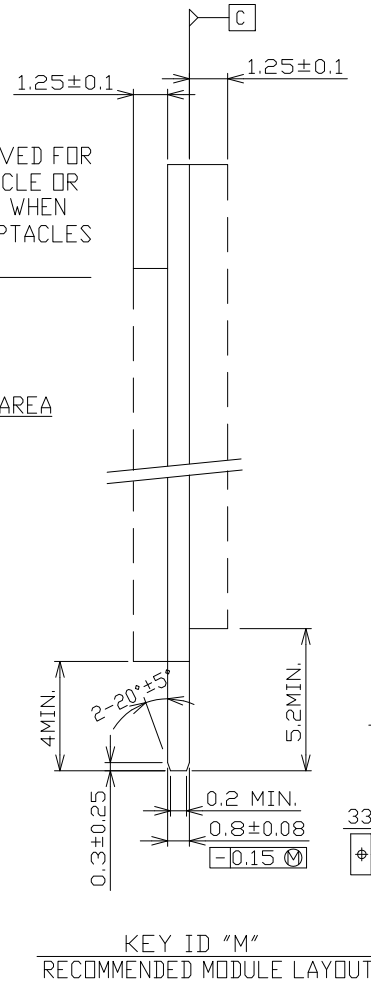
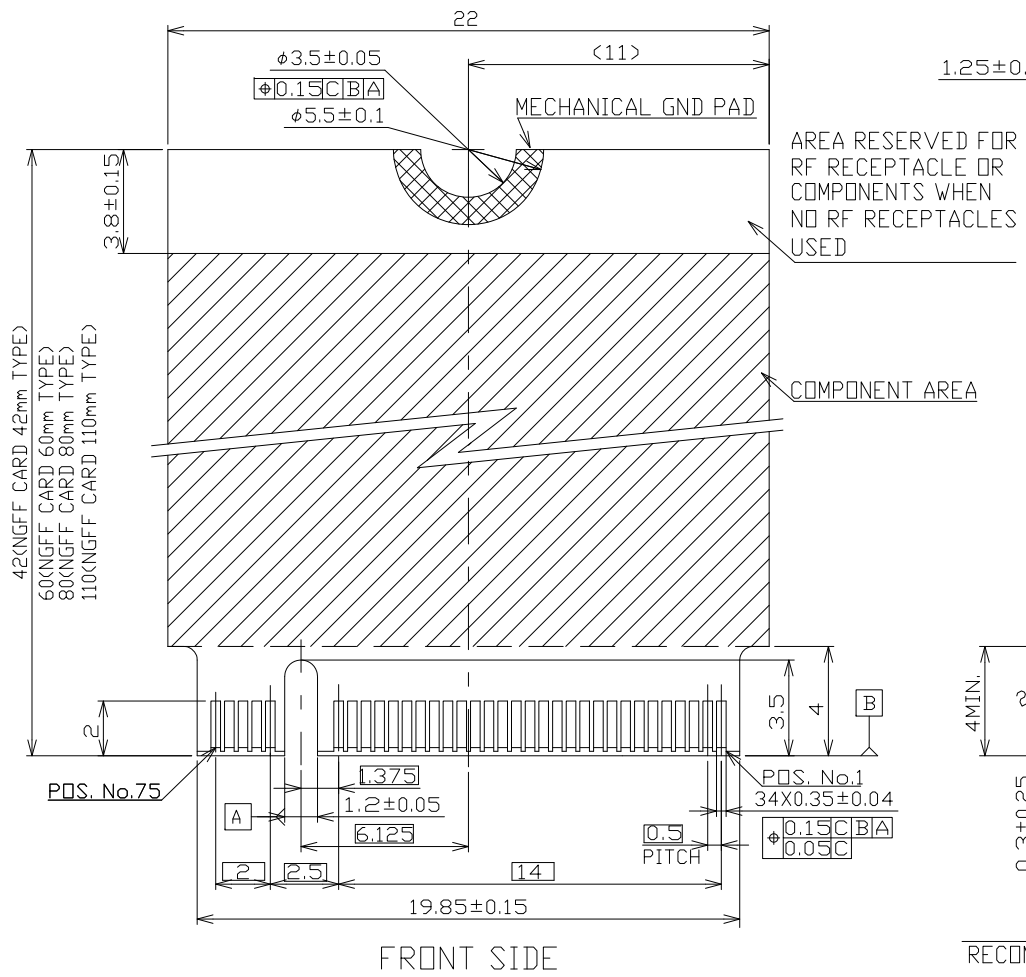
COPYRIGHT RESERVED, PLEASE DO NOT COPY.

PART NAME		NGFF CONN. 3H KEY ID M TYPE		DRAWING		Winky		DWG. No.		D121	
PART NO.		D121-NSEBx67RLH		CHECK		Roy		REV.		A	
UNIT : mm	TOLERANCE UNLESS OTHERWISE SPECIFIED			ANGLE	APPROVAL	John	DATE	2013. 10. 07			
				±3°	SCALE	1:1	PAGE	2 OF 4			

F E D C B A

RoHS Compliant

SYMBOL	REV.	REVISION	APPROVAL	DATE
	A	新版圖紙	Winky	2013. 10. 07



COLOR:BLACK
GENERAL TOLERANCE ±0.15

DST-conn Tech. Co., Ltd.

COPYRIGHT RESERVED, PLEASE DO NOT COPY.

PART NAME	NGFF CONN. 3H KEY ID M TYPE	DRAWING	Winky	DWG. No.	D121
PART NO.	D121-NSEBx67RLH	CHECK	Roy	REV.	A
UNIT : mm	TOLERANCE UNLESS OTHERWISE SPECIFIED	ANGLE	John	DATE	2013. 10. 07
		±3°	SCALE	1:1	PAGE

F E D C B A

RoHS Compliant

SYMBOL	REV.	REVISION	APPROVAL	DATE
	A	新版圖紙	Winky	2013. 10. 07

DIRECTION OFF TOP OF REEL



1

2

3

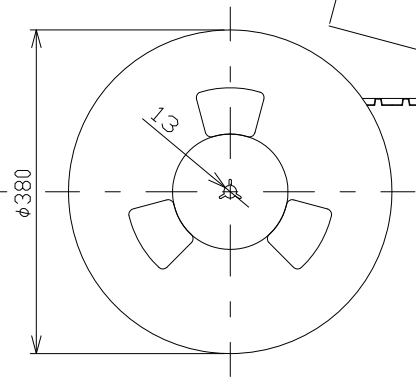
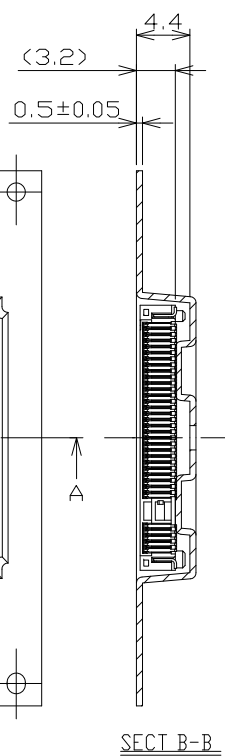
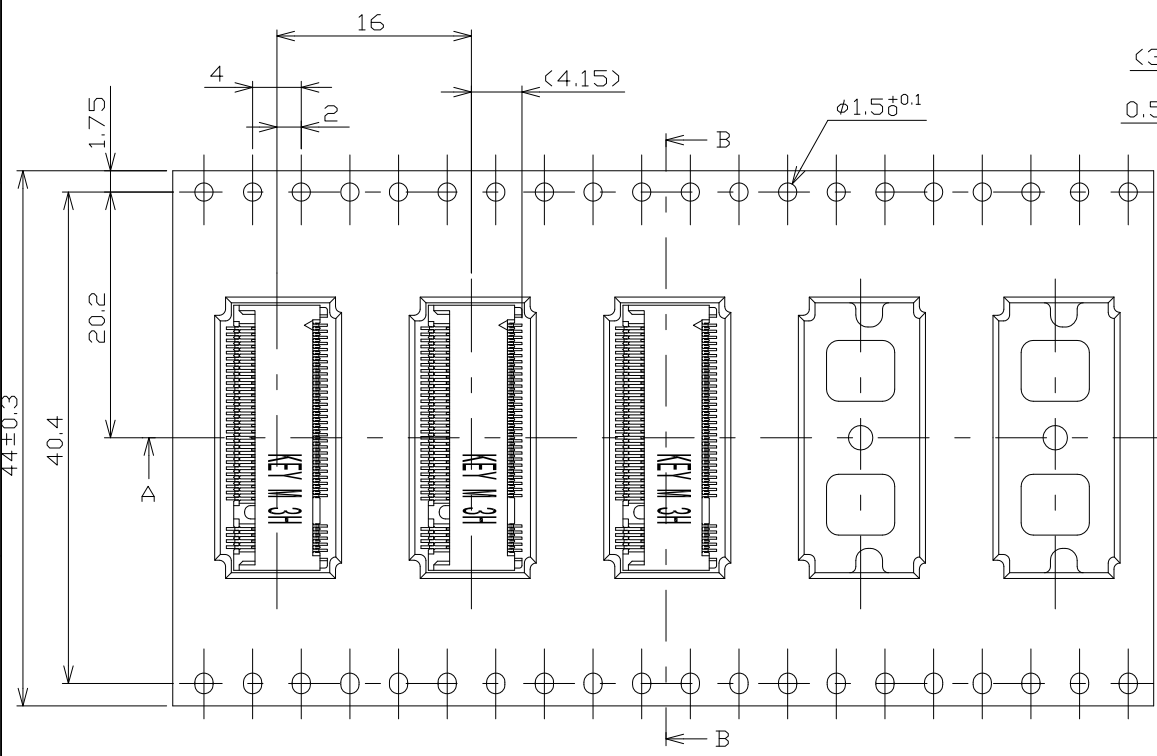
4

1

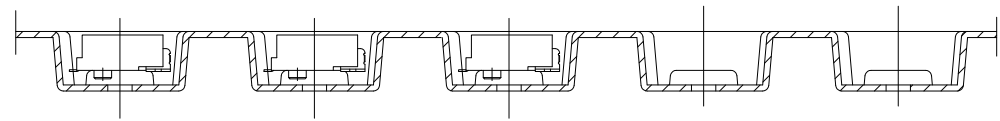
2

3

4



WINDING THE COVER TAPE
ARROUND THE OUTER
PERIPHERY IN A TURN.
カバーテープ リーダー部
外周巻
剥離角度
PEELING ANGLE
165° to 180°



- NOTES:
1. THE DIRECTION OF EACH CONNECTOR ON A EMBOSS IS REFERED TO THIS DRAWING.
 2. GENERAL TOLERANCE : ±0.5 , ±3°
 3. PACKAGED IN EMBOSS TAPE AND PLASTIC REEL 1200 PCS PRE REEL.

COLOR:BLACK
GENERAL TOLERANCE ±0.20

DST-conn Tech. Co., Ltd.

COPYRIGHT RESERVED, PLEASE DO NOT COPY.

PART NAME	NGFF CONN. 3H KEY ID M TYPE	DRAWING	Winky	DWG. No.	D121
PART NO.	D121-NSEBx67RLH	CHECK	Roy	REV.	A
UNIT : mm	TOLERANCE UNLESS OTHERWISE SPECIFIED	ANGLE	John	DATE	2013. 10. 07
		±3°	SCALE	1:1	PAGE

F E D C B A