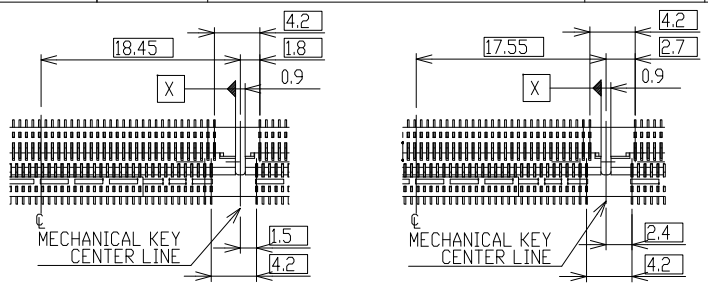
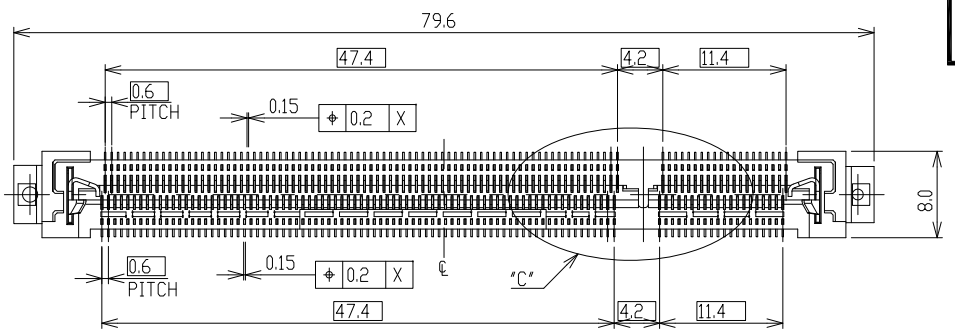


RoHS Compliant

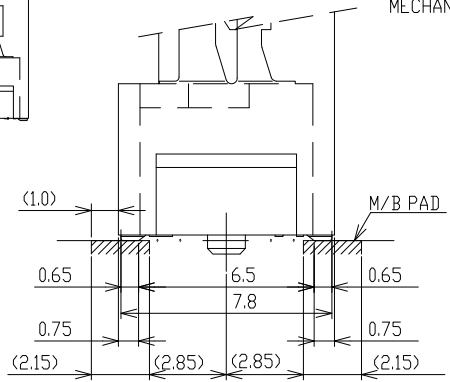
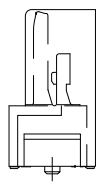
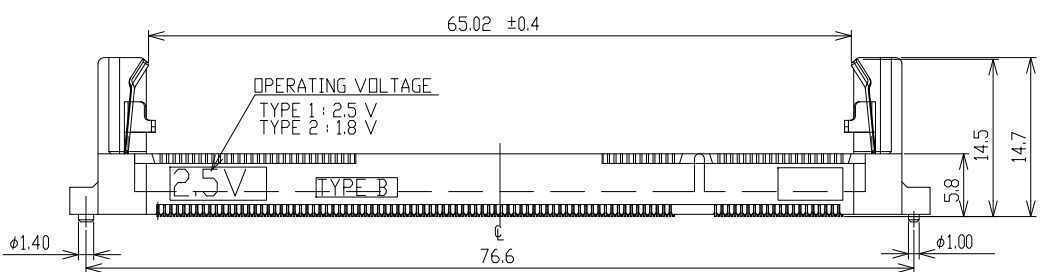
SYMBOL	REV.	REVISION	APPROVAL	DATE
	A	新版圖紙	Winky	2015. 04. 29



TYPE 1
POWER SUPPLY 2.5 V
(D123-DLEN5200TLH-1)

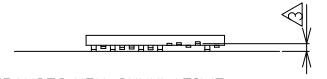
TYPE 2
POWER SUPPLY 1.8 V
(D123-DLEN5200TLH-2)

DETAIL C
MECHANICAL KEY TYPE

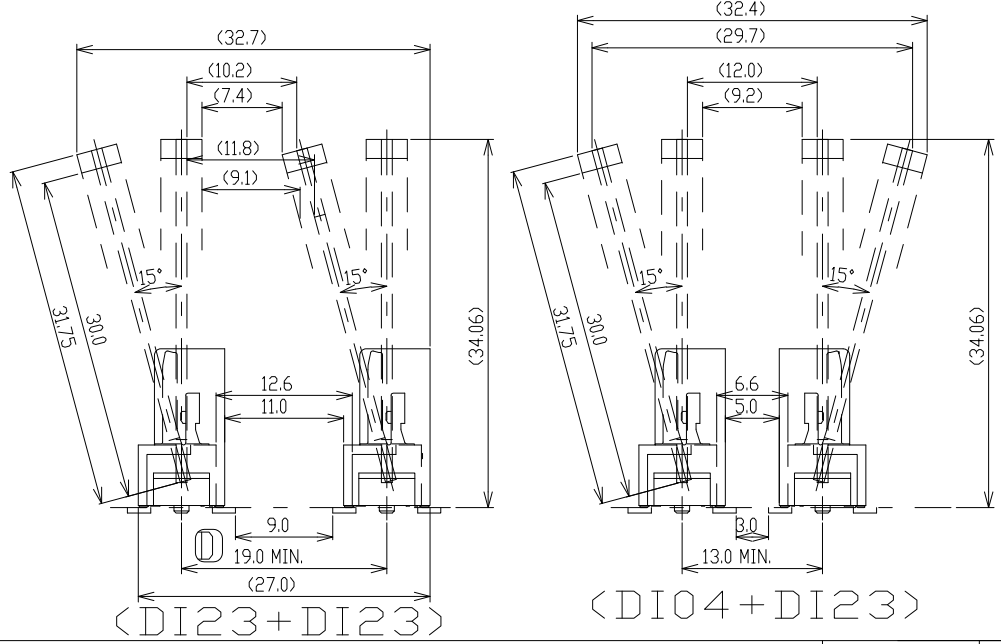


NOTES.

- MATERIAL: HOUSING-LCP, UL94V-0, COLOR-NATURAL
CONTACT: PHOS-BRONZE
METAL LATCH: SUS
- PLATING: CONTACT (CONTACT POINT): Au PLATE
Ni UNDER PLATE
- MUST BE MEASURED FLOATING AMOUNT OF CONTACT TAILS FROM DATUM SURFACE IS 0.1mm MAX.



4. TOLERANCES NON-CUMULATIVE



1.8V	TYPE 2	D123-DLEN5200XLH-2	D123-DLEN5200TLH-2
2.5V	TYPE 1	D123-DLEN5200XLH-1	D123-DLEN5200TLH-1
POWER SUPPLY	KEY TYPE	PART NO. OF CONNECTOR	PART NO. OF PACKAGED PRODUCT (WITH HARD TARY)

DST-conn Tech. Co., Ltd.

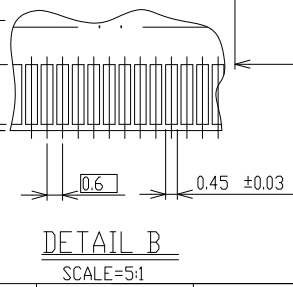
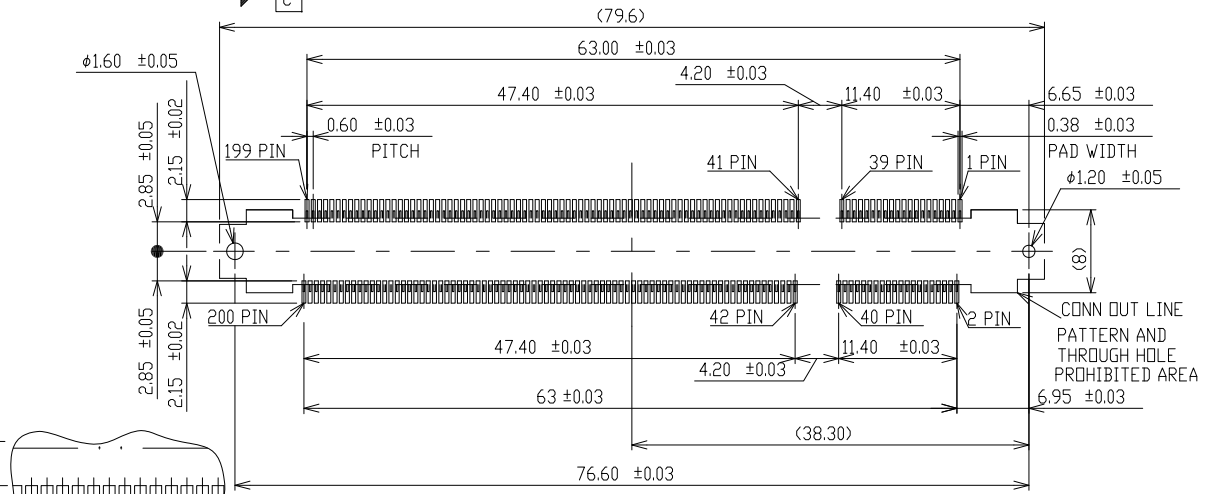
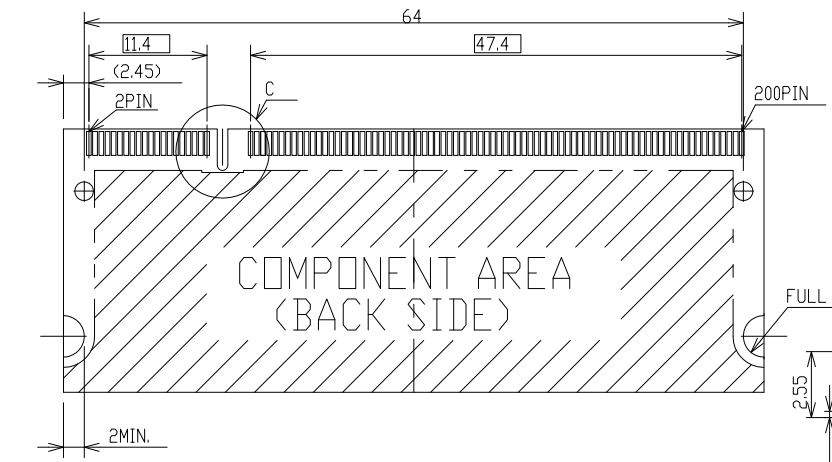
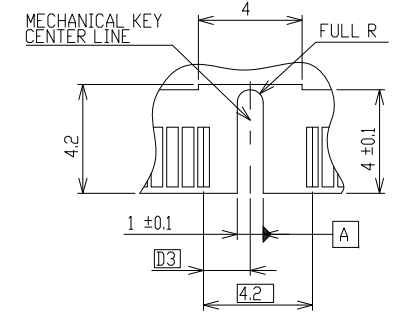
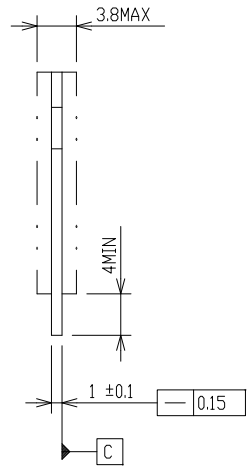
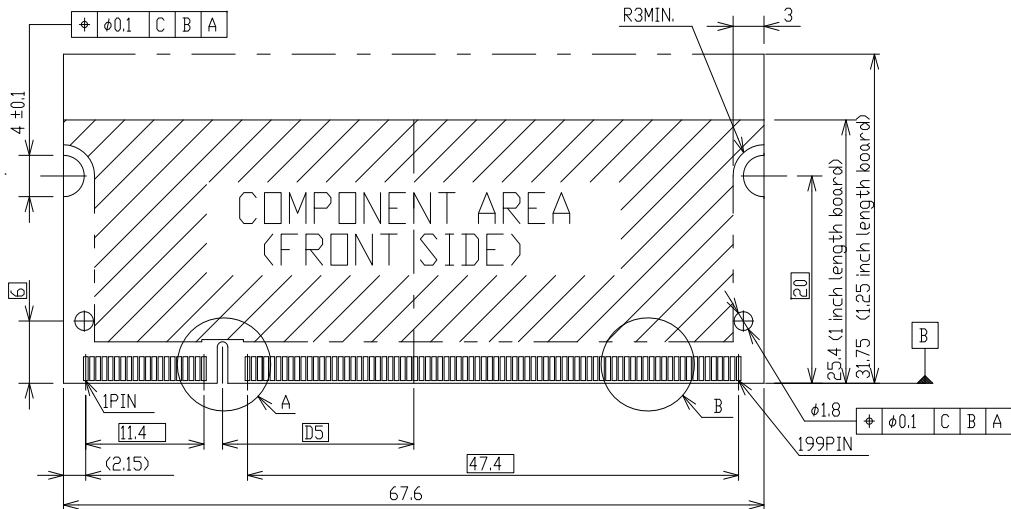
COPYRIGHT RESERVED, PLEASE DO NOT COPY.

PART NAME	DDR S.O DIMM SOCKET VERTICAL TYPE B FOR 200PIN DDR S.O DIMM	DRAWING	Winky	DWG. No.	D123
PART NO.	D123-DLEN5200TLH-x	CHECK	Roy	REV.	A
UNIT : mm	GENERAL TOLERANCE	±0.20	ANGLE	DATE	2015. 04. 29
			±2°	SCALE	1:1

F E D C B A

RoHS Compliant

SYMBOL	REV.	REVISION	APPROVAL	DATE
	A	新版圖紙	Winky	2015. 04. 29



NOTES:(APPLIED TO SHEET 2)

- TOLERANCES ON ALL DIMENSION ±0.15 UNLESS OTHERWISE SPECIFIED.
- P.C.BOARD THICKNESS APPLIES ACROSS TABS AND INCLUDES PLATING AND/OR METALIZATION.
- FINISH OF PAD : GOLD PLATING 0.00076MIN. OVER Ni PLATING 0.002MIN.

1.8V	17.55	2.4	2.7
2.5V	18.45	1.5	1.8
POWER SUPPLY	D5	D4	D3

DST-conn Tech. Co., Ltd.

COPYRIGHT RESERVED, PLEASE DO NOT COPY.

PART NAME	DDR S.O DIMM SOCKET VERTICAL TYPE B FOR 200PIN DDR S.O DIMM	DRAWING	Winky	DWG. No.	DI23
PART NO.	DI23-DLEN5200TLH-x	CHECK	Roy	REV.	A
UNIT : mm	GENERAL TOLERANCE ±0.20	ANGLE APPROVAL	John	DATE	2015. 04. 29
		SCALE	1:1	PAGE	2 OF 3

F E D C B A

F

E

D

C

B

A

RoHS Compliant

SYMBOL

REV.

REVISION

APPROVAL

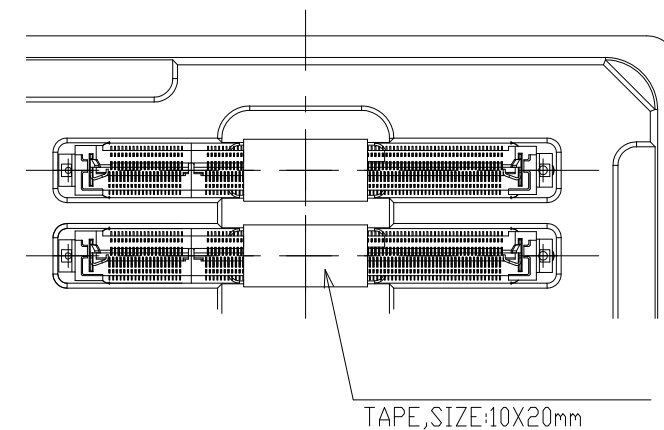
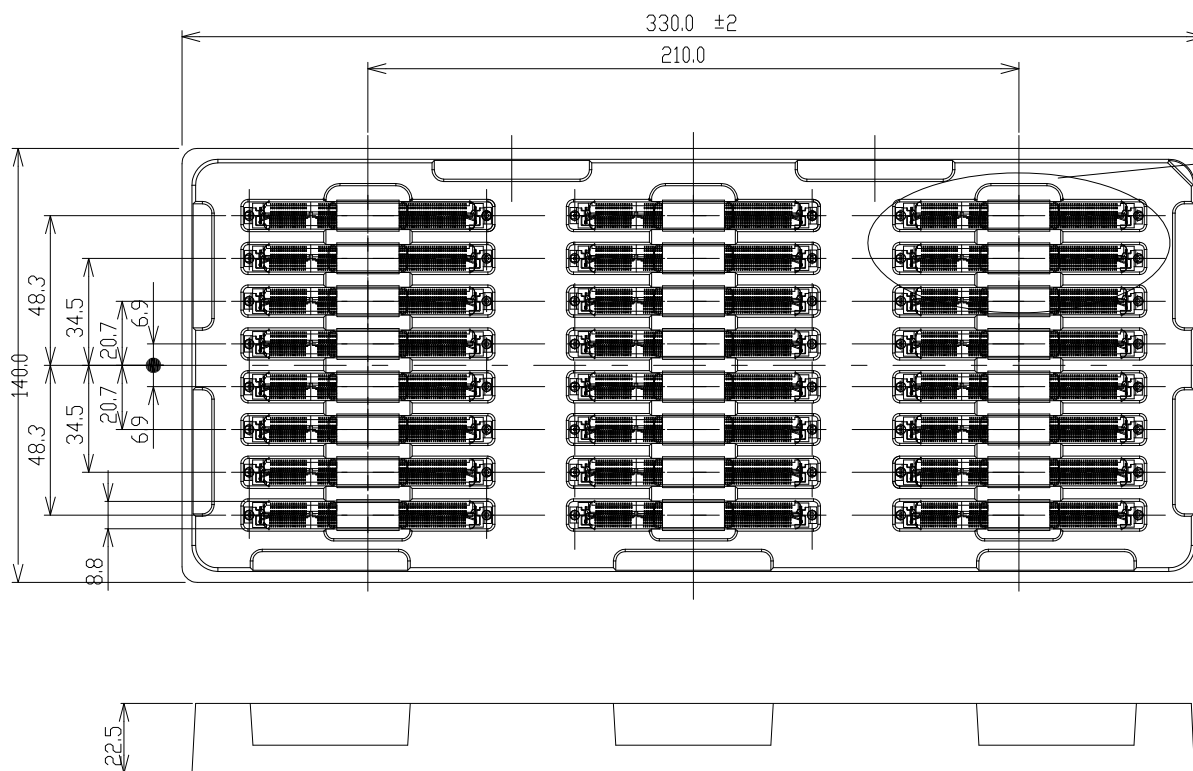
DATE

A

新版圖紙

Winky

2015. 04. 29



24	TYPE 2	DI23-DLEN5200xLH-x	DI23-DLEN5200TLH-2
24	TYPE 1	DI23-DLEN5200xLH-x	DI23-DLEN5200TLH-1
QTY.	KEY TYPE	PART NO. OF CONNECTOR	PART NO. OF PACKAGED PRODUCT (WITH SOFT TARY)

DST-conn Tech. Co., Ltd.

COPYRIGHT RESERVED, PLEASE DO NOT COPY.

PART NAME		DDR S.O DIMM SOCKET VERTICAL TYPE B FOR 200PIN DDR S.O DIMM		DRAWING		Winky		DWG. No.		DI23		
PART NO.		DI23-DLEN5200TLH-x		CHECK		Roy		REV.		A		
	UNIT :	GENERAL TOLERANCE	±0.50	ANGLE	APPROVAL		John		DATE		2015. 04. 29	
					mm	±2°	SCALE		1:1		PAGE	

F

E

D

C

B

A