

F

E

D

C

B

A

RoHS Compliant

SYMBOL

REV.

REVISION

APPROVAL

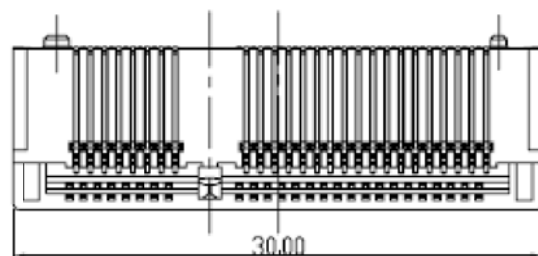
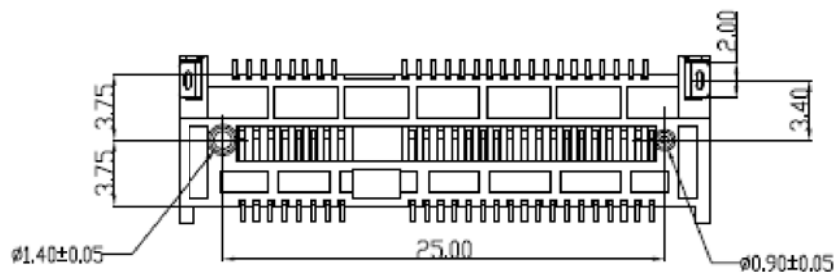
DATE

A

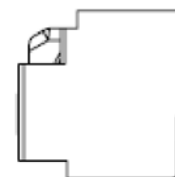
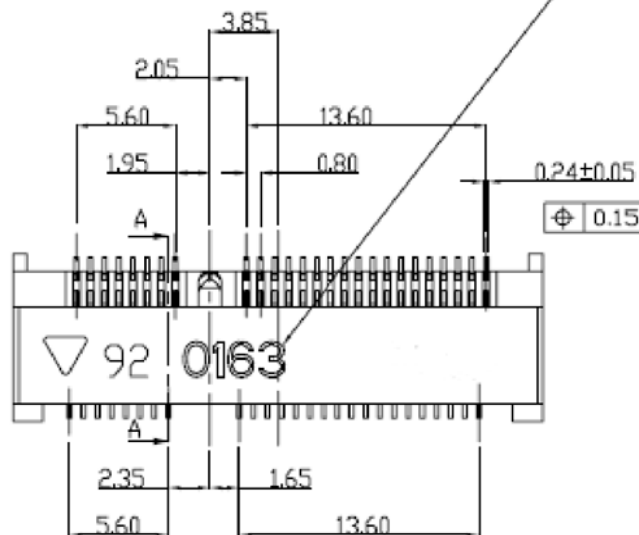
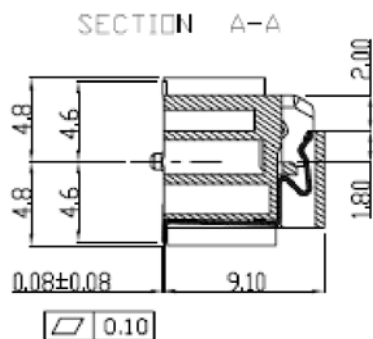
新版圖紙

Winky

2012/08/03



DATE CODE: 0163 (YWW)  
 Y: 0 YEAR(2010)  
 WW:16 WEEK(01-52)  
 D: 3 DAY(01-07)



## Material:

Plastic Body:LCP,Color BLACK.

Contact: Phosphor Bronze Alloy(C5191R-H)

Contacts Plating:Contact area Gold

Plated,Solder area Tin Plated.

Hold Down:Brass(C2680R-H)

Hold Down Plating:Tin

## Electrical:

Rating Current:0.5A MAX(1 PIN)

Rating Voltage: 50VAC

Contact Resistance:30mΩ MAX

Insulation Resistance: 500MΩ MIN

## Mechanical:

Contact Normal Force: 50gf per pin MIN

Durability: 100 mating and unmating cycles

## Environmental:

Operating Temperature: -40°C TO +90°C

Storage Temperature: -40°C TO +90°C

Solder ability: 260±5°C

ITEM	PART NAME	Q'TY	MATERIAL	PLATING
1	BODY	1	LCP	
2	CONTACT	52	PHOSPHOR BRONZE	GOLD 1u"
3	HOLD DOWN	2	BRASS	Tin 100u"

# DST-conn Tech. Co., Ltd.

COPYRIGHT RESERVED, PLEASE DO NOT COPY.

PART NAME

Mini PCI Express Socket H:9.2mm

DRAWING

Winky

DWG. No.

DI24

PART NO.

DI24-WSEB052RLD

CHECK

Roy

REV.

A



UNIT :

mm

TOLERANCE UNLESS

OTHERWISE SPECIFIED

X. ± 0.30

X.X ± 0.25

X.XX ± 0.20

ANGLE

±5°

APPROVAL

John

DATE

2012/08/03

SCALE

1:1

PAGE

1 OF 5

F

E

D

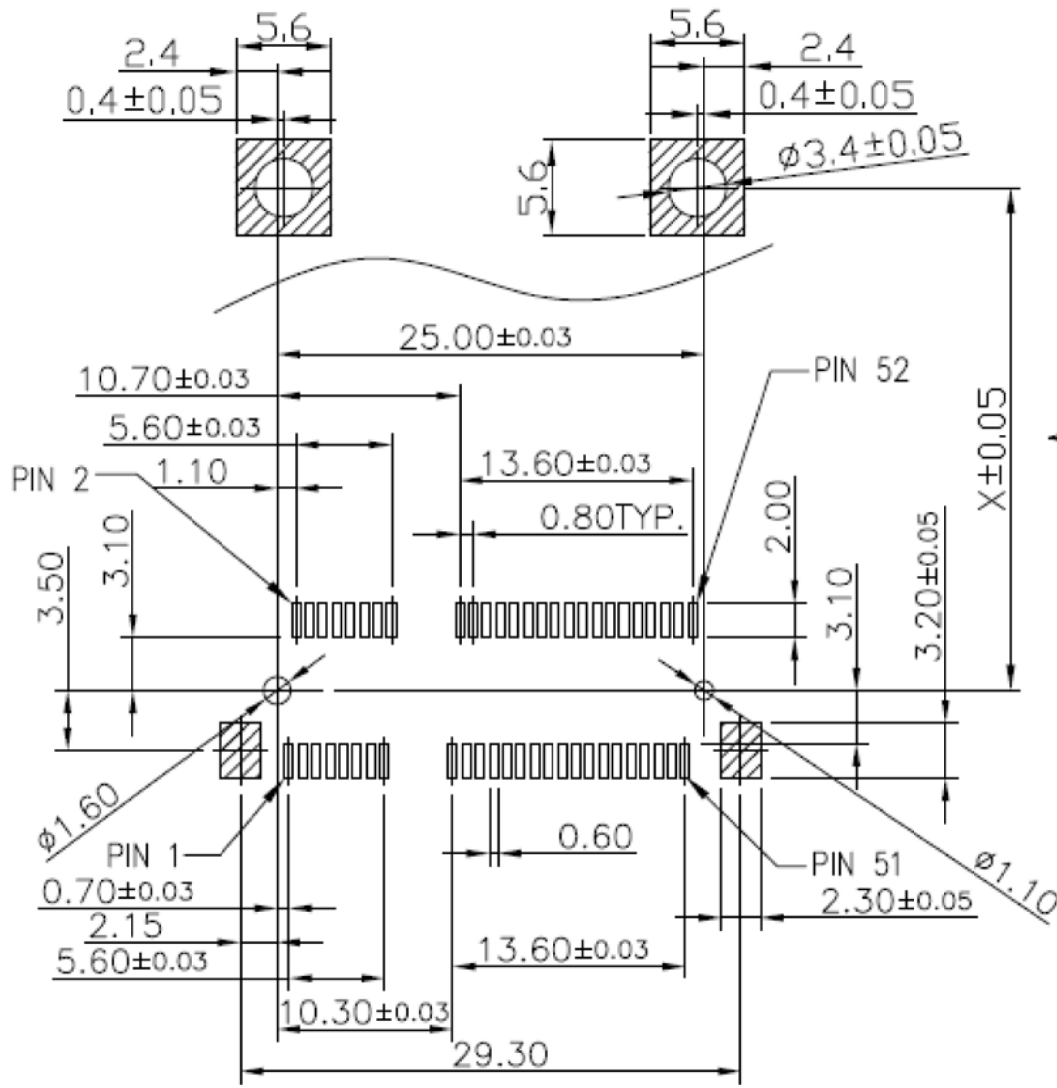
C

B

A

RoHS Compliant

SYMBOL	REV.	REVISION	APPROVAL	DATE
	A	新版圖紙	Winky	2012/08/03



Note:  
Standard Card: X=48.05mm  
(Card Length 50.95mm)

Short Card: X=23.90mm  
(Card Length 26.65mm)

Recommended P.C.Board Layout.

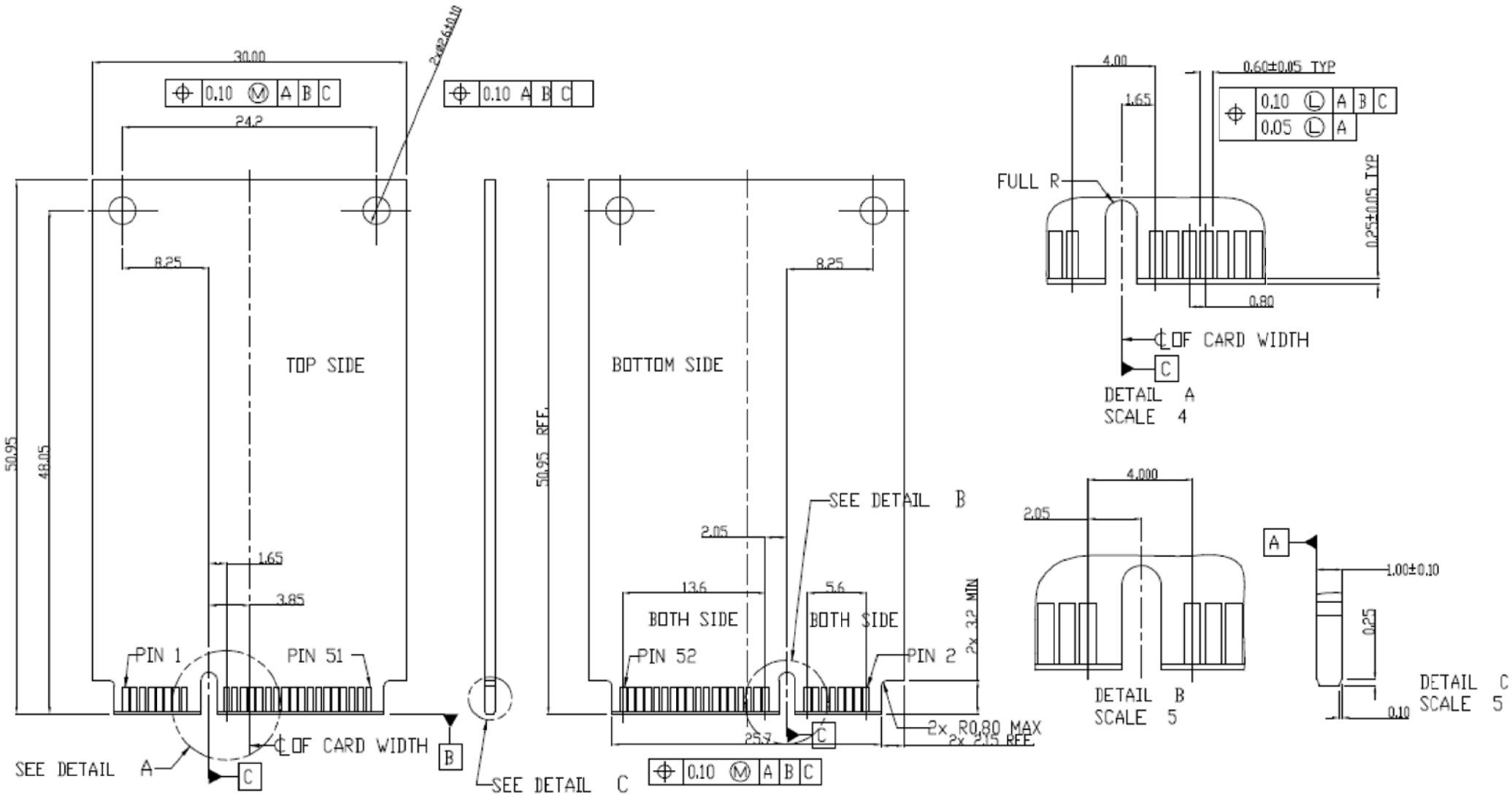
**DST-conn Tech. Co., Ltd.**

COPYRIGHT RESERVED, PLEASE DO NOT COPY.

PART NAME		Mini PCI Express Socket H:9.2mm		DRAWING		Winky		DWG. No.		DI24	
PART NO.		DI24-WSEB052RLD		CHECK		Roy		REV.		A	
UNIT : mm	TOLERANCE UNLESS	X. ± 0.30	ANGLE	APPROVAL	John	DATE	2012/08/03	PAGE	2 OF 5		
	OTHERWISE SPECIFIED	X.X ± 0.25 X.XX ± 0.20								±5°	SCALE

RoHS Compliant

SYMBOL	REV.	REVISION	APPROVAL	DATE
	A	新版圖紙	Winky	2012/08/03



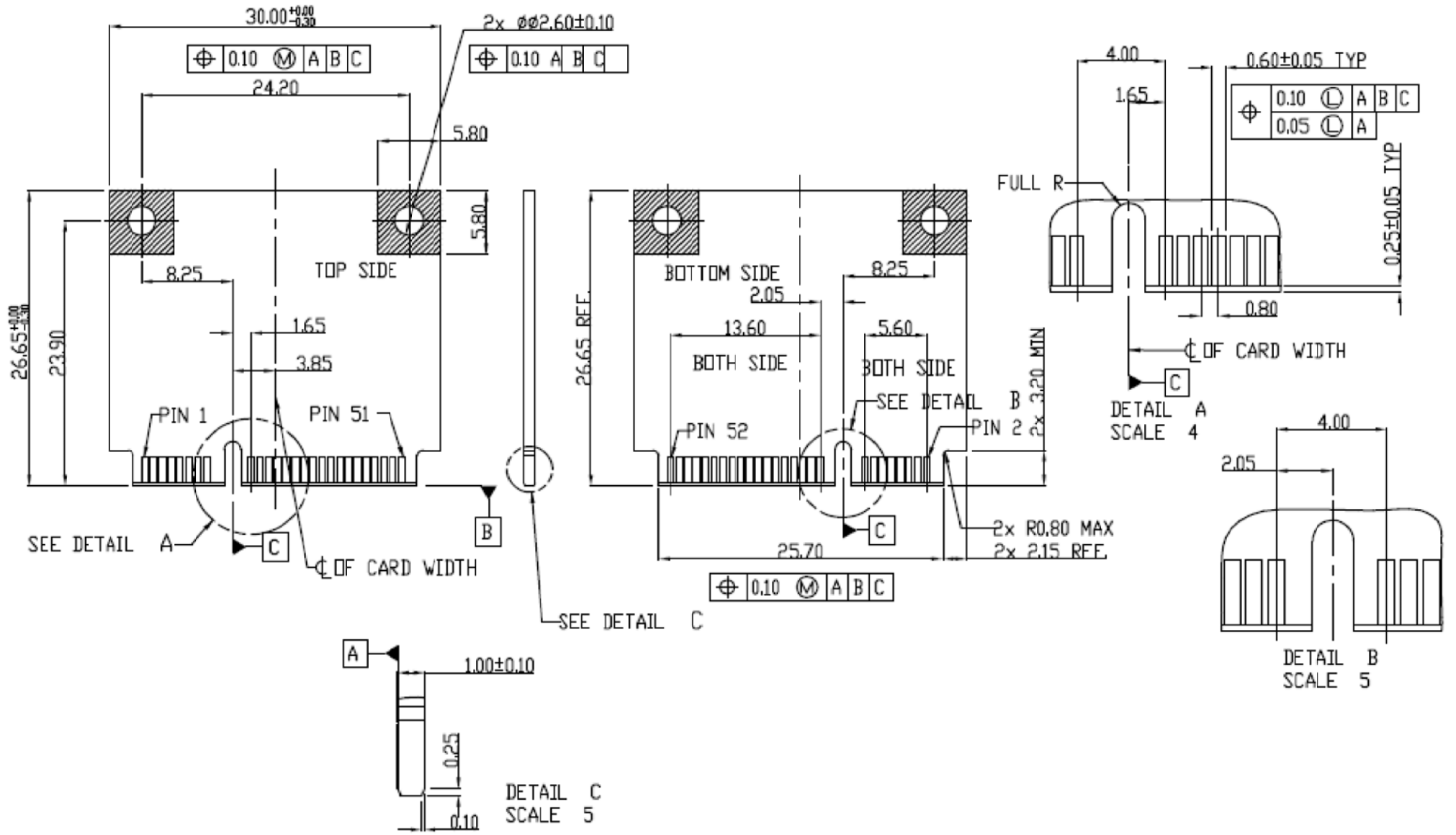
**DST**-conn Tech. Co., Ltd.

COPYRIGHT RESERVED, PLEASE DO NOT COPY.

PART NAME		Mini PCI Express Socket H:9.2mm		DRAWING		Winky		DWG. No.		DI24	
PART NO.		DI24-WSEB052RLD		CHECK		Roy		REV.		A	
UNIT : mm	TOLERANCE UNLESS OTHERWISE SPECIFIED		X. ± 0.30 X.X ± 0.25 X.XX ± 0.20		ANGLE ±5°	APPROVAL		DATE		2012/08/03	
						SCALE		1:1		PAGE 3 OF 5	

RoHS Compliant

SYMBOL	REV.	REVISION	APPROVAL	DATE
	A	新版圖紙	Winky	2012/08/03



**DST-conn Tech. Co., Ltd.**

COPYRIGHT RESERVED, PLEASE DO NOT COPY.

PART NAME	Mini PCI Express Socket H:9.2mm	DRAWING	Winky	DWG. No.	DI24	
PART NO.	DI24-WSEB052RLD	CHECK	Roy	REV.	A	
UNIT : mm	TOLERANCE UNLESS OTHERWISE SPECIFIED	X. ± 0.30	APPROVAL	John	DATE	2012/08/03
		X.X ± 0.25				
		X.XX ± 0.20	SCALE	1:1	PAGE	4 OF 5
		ANGLE				
		±5°				

F

E

D

C

B

A

RoHS Compliant

SYMBOL

REV.

REVISION

APPROVAL

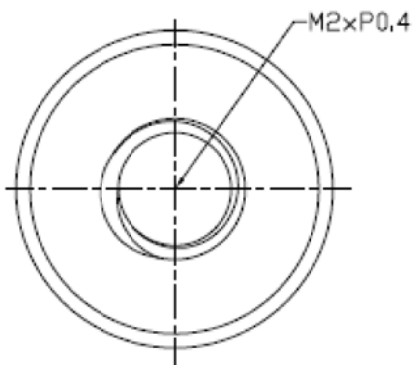
DATE

A

新版圖紙

Winky

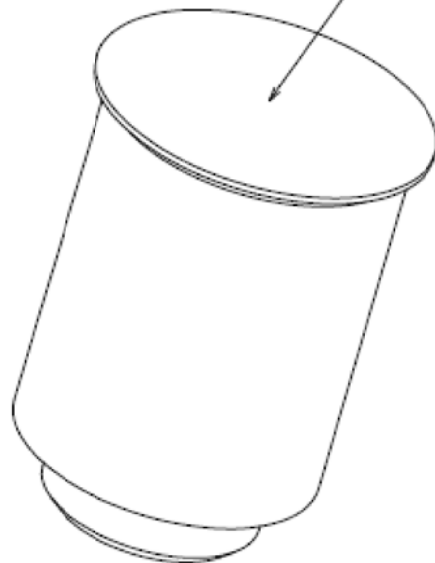
2012/08/03



MYLAR

NOTE:

- 1.MATERIAL: Copper Alloy
- 2.Plating: Sn.

 $\phi 4.5 \pm 0.05$ 

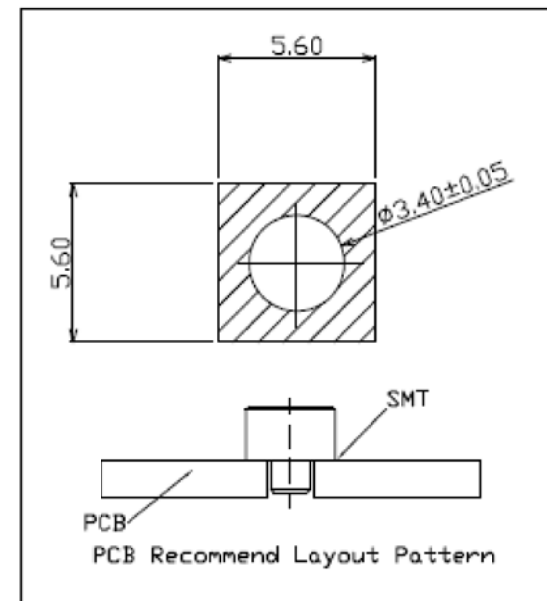
C0.2

H $\pm 0.05$ 

C0.2

 $\phi 3.2 \pm 0.05$ 1.1 $\pm 0.05$ 

P/N	"H" $\pm 0.1$	Mini PCI E P/N
	1.6	
	2.8	
	3.2	
	5.6	
	6.8	



**DST-conn Tech. Co., Ltd.**

COPYRIGHT RESERVED, PLEASE DO NOT COPY.

PART NAME

Mini PCI Express Socket H:9.2mm

DRAWING

Winky

DWG. No.

DI24

PART NO.

DI24-NUT-92

CHECK

Roy

REV.

A



UNIT :

TOLERANCE UNLESS

X.  $\pm 0.30$ X.X  $\pm 0.25$ X.XX  $\pm 0.20$ 

ANGLE

APPROVAL

John

DATE

2012/08/03

mm

OTHERWISE SPECIFIED

 $\pm 5^\circ$ 

SCALE

1:1

PAGE

5 OF 5

F

E

D

C

B

A