

F

E

D

C

B

A

RoHS Compliant

SYMBOL

REV.

REVISION

APPROVAL

DATE

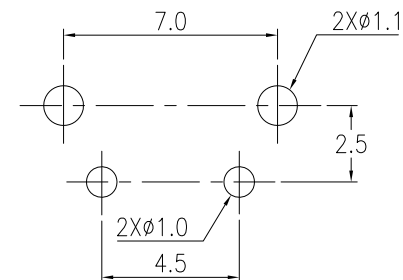
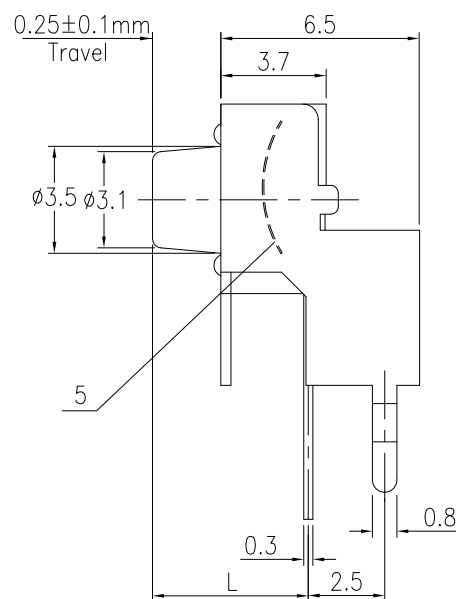
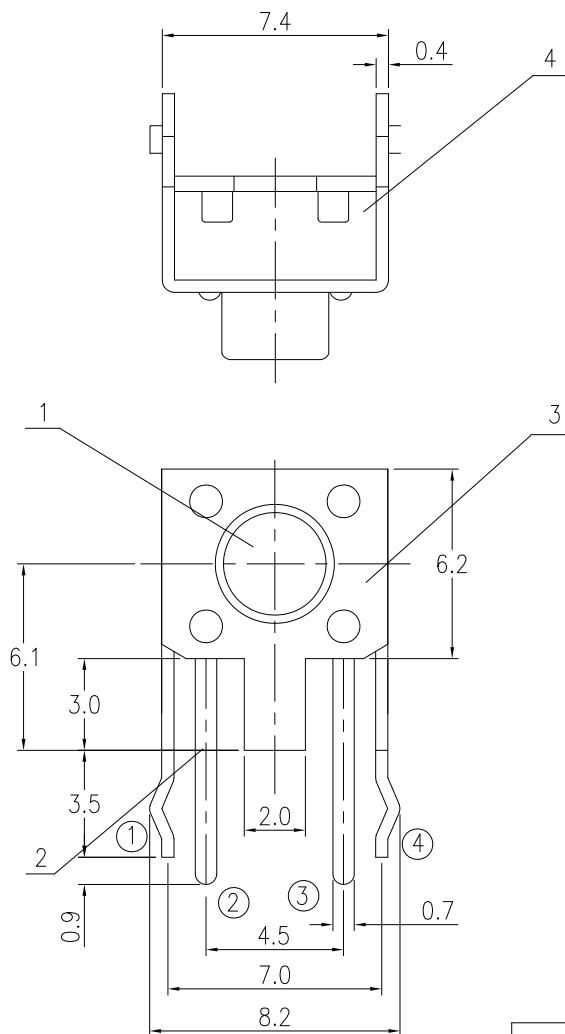
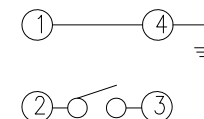
A

新版圖紙

Winky

2007/02/07

Part Number	Knob Length L
D128-HD1BA04GLBT-01	3.15mm
D128-HD1BA04GLBT-02	3.85mm
D128-HD1BA04GLBT-03	4.85mm
D128-HD1BA04GLBT-04	5.85mm
D128-HD1BA04GLBT-05	6.15mm
D128-HD1BA04GLBT-06	6.85mm
D128-HD1BA04GLBT-07	8.35mm
D128-HD1BA04GLBT-08	8.55mm
D128-HD1BA04GLBT-09	9.35mm
D128-HD1BA04GLBT-10	11.35mm
D128-HD1BA04GLBT-11	11.85mm
D128-HD1BA04GLBT-12	12.35mm
D128-HD1BA04GLBT-13	15.15mm
D128-HD1BA04GLBT-14	15.85mm

P.C.B LAYOUT
TOP VIEW

CIRCUIT

5	DOME	C5210	1	Ag CLAD
4	CASE	PA66	1	BLACK
3	COVER	SPCC	1	Sn PLATED
2	TERMINAL	BRASS STRIP	2	Ag PLATED
1	KNOB	PA66	1	BLACK
NO.	PARTS	MATERIAL	QTY.	FINISHING

DST-conn Tech. Co., Ltd.

COPYRIGHT RESERVED, PLEASE DO NOT COPY.

PART NAME

TACT SWITCH

DRAWING

Winky

DWG. No.

D128

PART NO.

D128-HD1BA04GLBT-xx

CHECK

Roy

REV.

A

UNIT :
mmTOLERANCE UNLESS
OTHERWISE SPECIFIED0 ~ 5 ± 0.2
5 ~ 30 ± 0.3
30 ~ 50 ± 0.4ANGLE
±2°

APPROVAL

John

DATE

2007/02/07

SCALE

1:1

PAGE

1 OF 1

F

E

D

C

B

A