

F

E

D

C

B

A

RoHS Compliant

SYMBOL

REV.

REVISION

APPROVAL

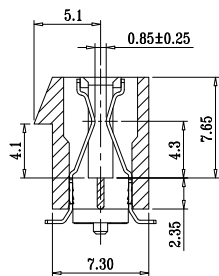
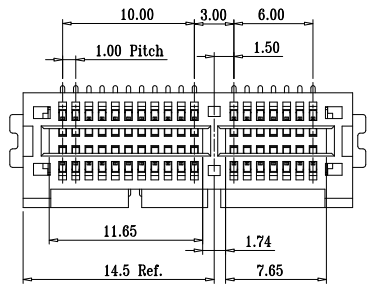
DATE

A

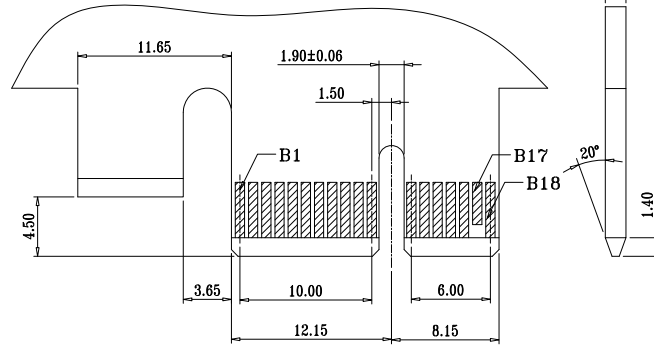
新版圖紙

Winky

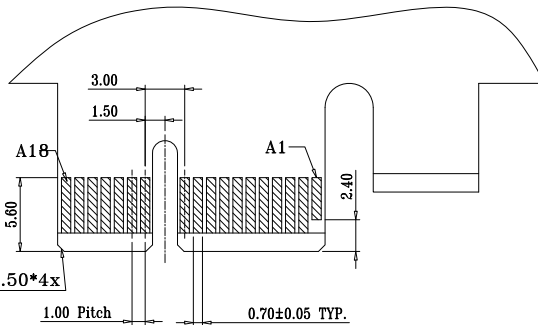
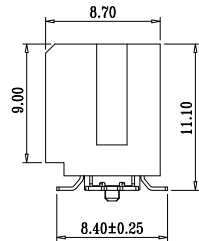
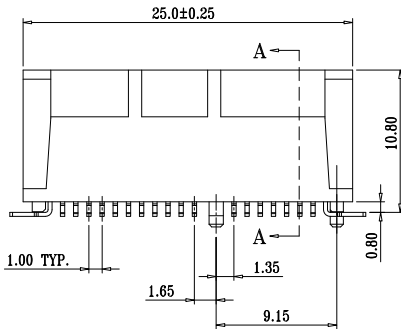
2014. 04. 10



SECTION A-A



RECOMMENDED EDGE CARD PATTERN (PRIMARY SIDE)



RECOMMENDED EDGE CARD PATTERN (SECONDARY SIDE)

*Material:

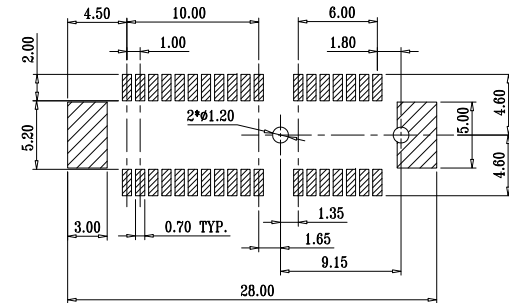
- 1.Housing: LCP+30%G/F,Black,UL94 V-0;
- 2.Terminal: Copper Alloy,T=0.25mm;
- Plating: Gold in contact area;
- 80u" Min Tin in solder area;
- 30u" MIN.NICKEL UNDERPLATING OVER ALL.

*Electrical Characteristics:

- 1:Contact Resistance: 30mΩ Max.
- 2:Insulation Resistance: 1000MΩ Min.
- 3:Dielectric Strength: 500V DC/1MIN.
- 4.Contact Current rating: 1.1 A Per Pin Min.

*Mechanical Characteristics:

- 1:Insertion Force: 1.15N per contact pair Max.
- 2:Extraction Force: 0.15N per contact pair Min.
- 3.Durability rating:50 Cycles

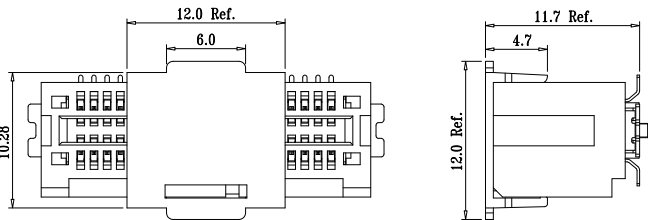


RECOMMENDED PCB LAYOUT (COMPONENT SIDE) TOLERANCE: ±0.05

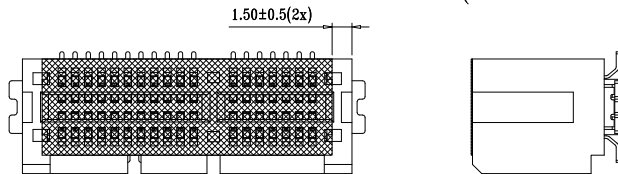
ORDER INFORMATION:

D134-ELE x x 36 x x Z x

- C: With CAP
- M: With Mylar
- Environment Protection:
- L: RoHS
- G: GP
- H: Halogen-free
- Color:
- R: Red
- A: Orange
- Y: Yellow
- G: Green
- E: Blue
- P: Purple
- B: Black
- W: White
- Packing:
- E: Tube
- T: Tray
- R: Reel
- 36: No. of Pins
- Plating:
- 0: Flash.Gold in contact area
- 1: 3u' Min.Gold in contact area
- 2: 5u' Min.Gold in contact area
- 3: 10u' Min.Gold in contact area
- 4: 15u' Min.Gold in contact area



With CAP



With MYLAR

DST-conn Tech. Co., Ltd.

COPYRIGHT RESERVED, PLEASE DO NOT COPY.

PART NAME	PCIe 36P Vertical SMT With Latch	DRAWING	Winky	DWG. No.	D134
PART NO.	D134-ELExx36xxZx	CHECK	Roy	REV.	A
UNIT : mm	TOLERANCE UNLESS	ANGLE	APPROVAL	DATE	2014. 04. 10
	OTHERWISE SPECIFIED		SCALE	1:1	PAGE
	X. X ±0.30				
	X. XX ±0.20				
	X. XXX ±0.10				

F

E

D

C

B

A