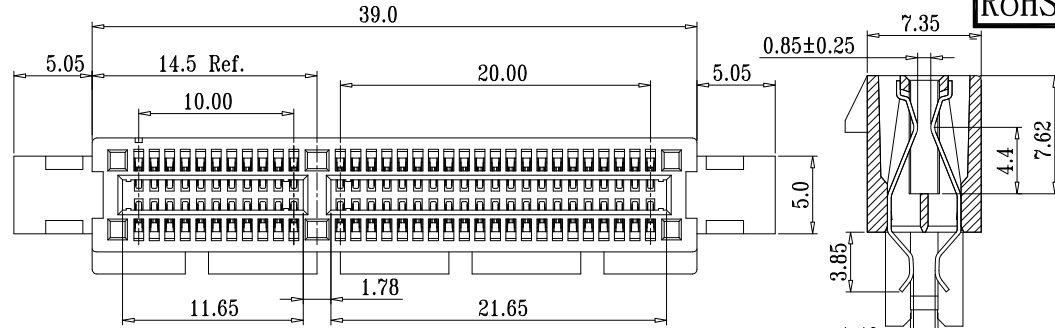


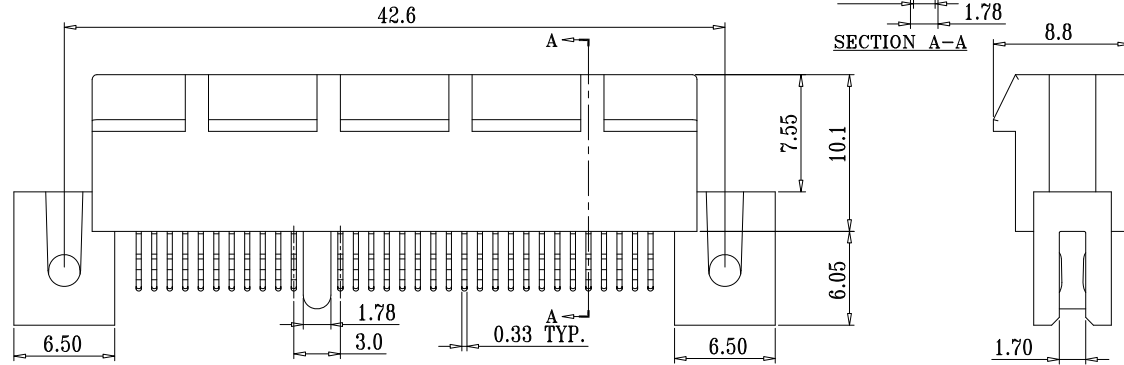
RoHS Compliant

| SYMBOL | REV. | REVISION | APPROVAL | DATE |
|--------|------|----------|----------|------------|
| | A | 新版圖紙 | Winky | 2013.05.15 |



NOTES:

- Electrical characteristics:
 - Current rating: 1.1 AMP per contact;
 - Insulation resistance: 1000 Megohms at 500V DC Min;
 - Contact resistance: 30 milliohms Max (initial);
- Mechanical characteristics:
 - Insertion force: 1.15N Max per contact pair;
 - Withdrawal force: 0.15N Min per contact pair;
- Materials:
 - Housing: High Temperature Thermoplastic UL 94-V0;
 - contact: Copper Alloy, Gold plating over Nickel on contact area; Tin plating on terminal;



ORDER INFORMATION:

DI38-EDE_x x 64 x xZ

Color:
 R:Red
 A:Orange
 Y:Yellow
 G:Green
 Y:Yellow
 E:Blue
 C:Gray
 P:Purple
 B:Black

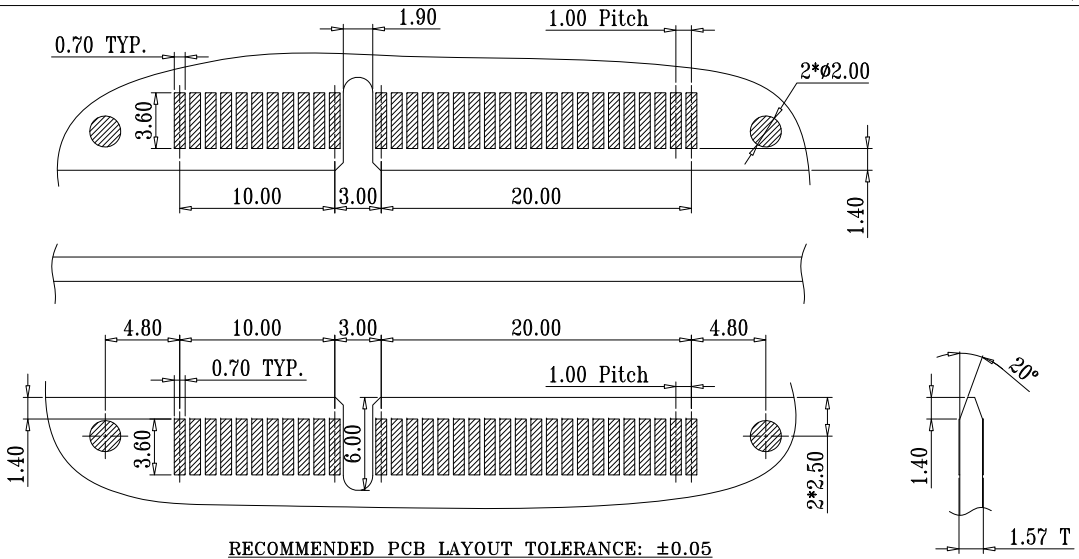
Environment Protection:
 L: RoHS
 G: GP
 H: Halogen-free

Packing:
 E: Tube
 T: Tray
 G: Box

64: No. of Pins

Plating:

- Flash.Gold in contact area
- 3u" Min.Gold in contact area
- 5u" Min.Gold in contact area
- 10u" Min.Gold in contact area
- 15u" Min.Gold in contact area



RECOMMENDED PCB LAYOUT TOLERANCE: ±0.05

DST-conn Tech. Co., Ltd.

COPYRIGHT RESERVED, PLEASE DO NOT COPY.

| PART NAME | PCIe 64P Slot, 夹板式(小夹脚) 带螺丝孔和定位柱 | DRAWING | Winky | DWG. No. | DI38 |
|-----------|---|----------|-------|----------|------------|
| PART NO. | DI38-EDE _{xx} 64 _{xx} Z | CHECK | Roy | REV. | A |
| UNIT : | TOLERANCE UNLESS | APPROVAL | John | DATE | 2013.05.15 |
| mm | OTHERWISE SPECIFIED | SCALE | 1:1 | PAGE | 1 OF 1 |
| | X.X ±0.30 | ANGLE | | | |
| | X.XX ±0.20 | | | | |
| | X.XXX ±0.10 | | | | |