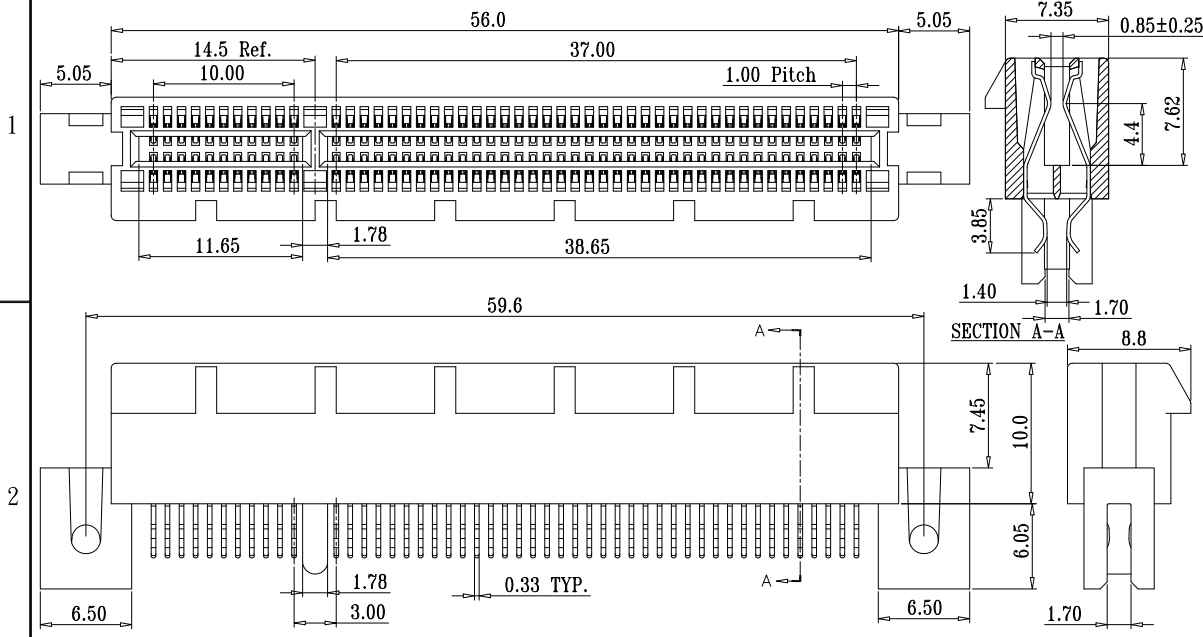
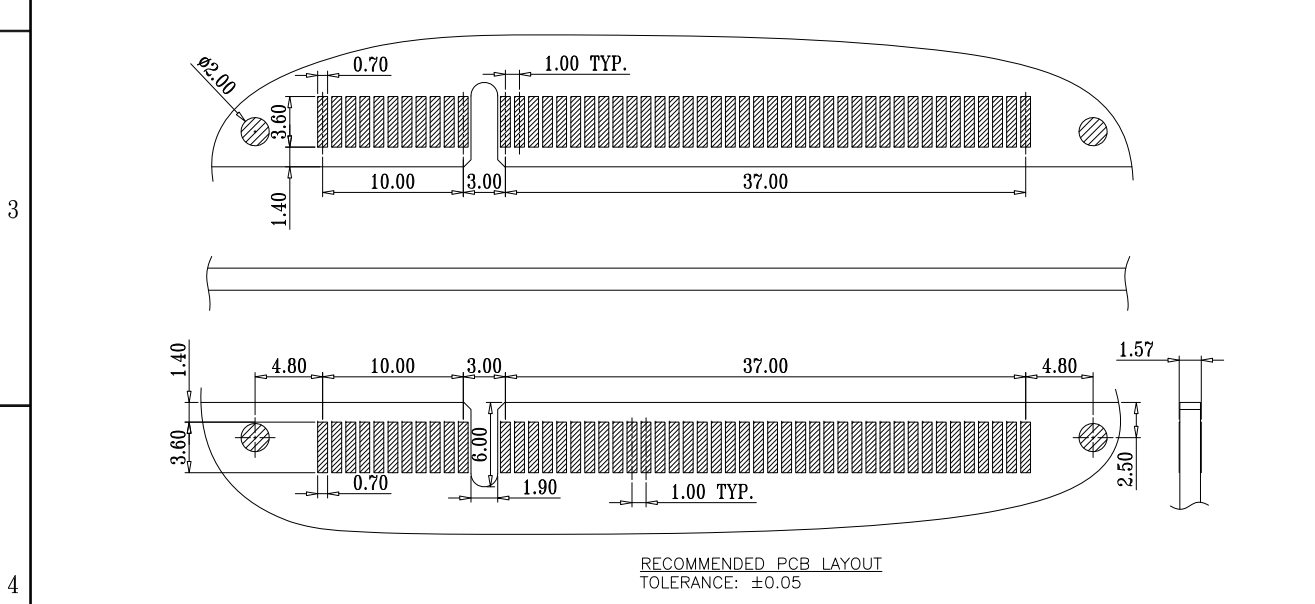


RoHS Compliant

SYMBOL	REV.	REVISION	APPROVAL	DATE
	A	新版圖紙	Winky	2012. 03. 15

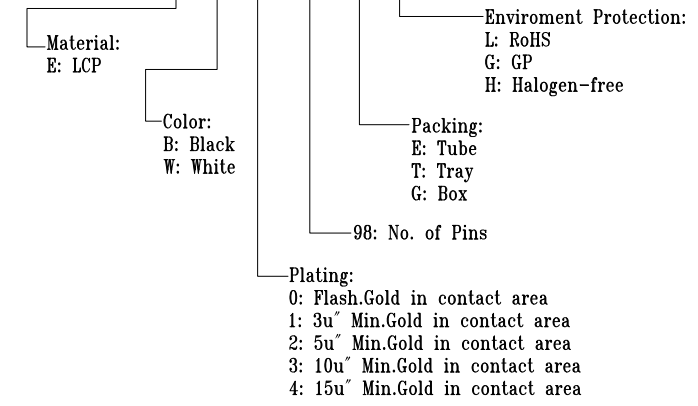


- NOTES:
- Electrical characteristics:
 - Current rating: 1.1 AMP per contact;
 - Insulation resistance: 1000 Megohms at 500V DC Min;
 - Contact resistance: 30 milliohms Max (initial);
 - Mechanical characteristics:
 - Insertion force: 1.15N Max per contact pair;
 - Withdrawal force: 0.15N Min per contact pair;
 - Materials:
 - Housing: LCP+30% G/F, UL94 V-0;
 - contact: Copper Alloy, T=0.25mm; plating: Gold in contact area; Tin 100u" Min Tin in solder area; 50u" MIN.NICKEL UNDERPLATING OVER ALL.



ORDER INFORMATION:

DI41-ED E x x 98 x xZ



DST-conn Tech. Co., Ltd.

COPYRIGHT RESERVED, PLEASE DO NOT COPY.

PART NAME	PCIe 98P Slot, 夹板式 带 镭丝孔和定位柱	DRAWING	Winky	DWG. No.	DI41	
PART NO.	DI41-EDExx98xxZ	CHECK	Roy	REV.	A	
UNIT : mm	TOLERANCE UNLESS OTHERWISE SPECIFIED	X. X ±0.30	APPROVAL	John	DATE	2012. 03. 15
		X. XX ±0.20				
		X. XXX ±0.10				