

F

E

D

C

B

A

RoHS Compliant

SYMBOL

REV.

REVISION

APPROVAL

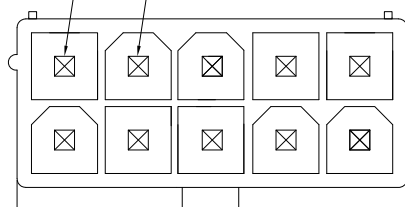
DATE

A

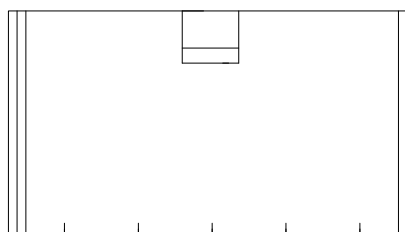
新版圖紙

Winky

2015. 01. 26

Circuit 1
Circuit 2

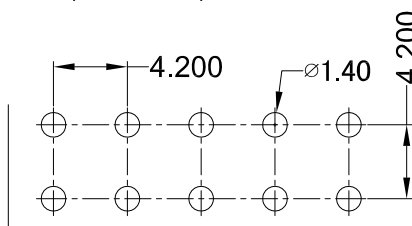
(02P~12P)A±0.30
(14P~24P)A±0.50^①



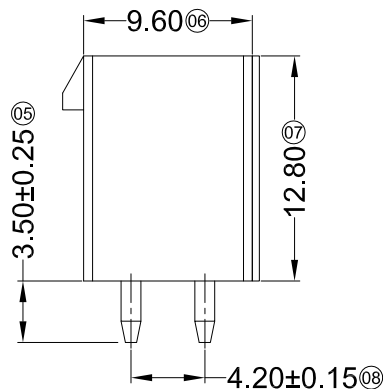
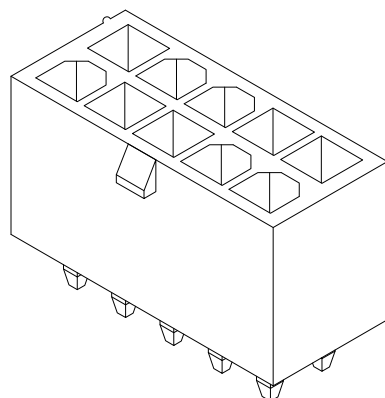
②4.20±0.15

SQ 1.14±0.05^③

(02P~12P)B±0.30
(14P~24P)B±0.50^④



Recommended P.C.B Layout
General Tolerance±0.05



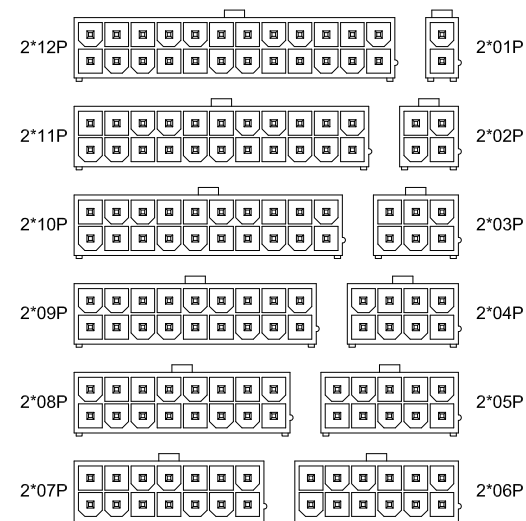
Specifications :

- Voltage rating: 600V AC / DC
- Current rating: 9A AC / DC
- Withstanding voltage: 1500V AC/minute
- Temperature range: -25°C~+85°C
- Insulation resistance: ≥100MΩ
- Contact resistance: ≤10mΩ
- After environmental testing: ≤20mΩ

DP05 - V x x xx TL42W- x x

① ② ③ ④ ⑤ ⑥ ⑦

- ① Series No.
- ② Welding Board Angle&Way: V: DIP 180°
- ③ Material: I:PA66 94V-0 2:PA66 94V-2
D:PA9T 94V-0 M:PA46 94V-0
- ④ Planting Category: B: Bright Tin plating 70u"
O:All Gold-Plated G/F M: Matte Tin plating
- ⑤ Row No.-Pin No.: xx: 02P~24P
- ⑥ Color : N:Natural Color B:Black G:Gray
- ⑦ G:Glass Fiber 15% Blank:Standard



Poles	Dimensions (mm)		Poles	Dimensions (mm)	
	A	B		A	B
02	5.40	--	14	30.60	25.20
04	9.60	4.20	16	34.80	29.40
06	13.80	8.40	18	39.00	33.60
08	18.00	12.60	20	43.20	37.80
10	22.20	16.80	22	47.40	42.00
12	26.40	21.00	24	51.60	46.20

PART NO	Material	Material(Pin)	Finish(Pin)	Mates With Housing
DP05-VDBxxTL42W-x	PA9T UL 94V-0	Brass	Matte tin	DP04-H
DP05-V2BxxTL42W-x	PA66 UL 94V-2	Brass	Gold-Flash	
DP05-V2BxxTL42W-x	PA66 UL 94V-2	Brass	Tin-Plated	
DP05-V2BxxTL42W-xG	PA66 UL 94V-2 GF15%	Brass	Gold-Flash	
DP05-V2BxxTL42W-xG	PA66 UL 94V-2 GF15%	Brass	Tin-Plated	
DP05-V2BxxTL42W-xG	PA66 UL 94V-2 GF15%	Brass	Tin-Plated	

DST-conn Tech. Co., Ltd.

PART NAME

4.20 mm Crimp Style Connectors

DRAWING

Winky

DWG. No.

DP05

PART NO.

DP05-VxxxxTL42W-xx

CHECK

Roy

REV.

A



UNIT :

TOLERANCE UNLESS OTHERWISE SPECIFIED

X. X ±0.30
X. XX ±0.20
X. XXX ±0.10

ANGLE

APPROVAL

John

DATE

2015. 01. 26

COPYRIGHT RESERVED, PLEASE DO NOT COPY.

mm

±2°

SCALE

1:1

PAGE

1 OF 1

F

E

D

C

B

A