

F

E

D

C

B

A

RoHS Compliant

SYMBOL

REV.

REVISION

APPROVAL

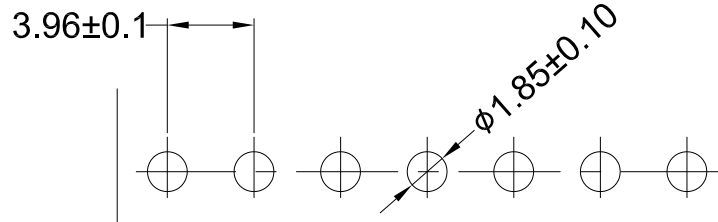
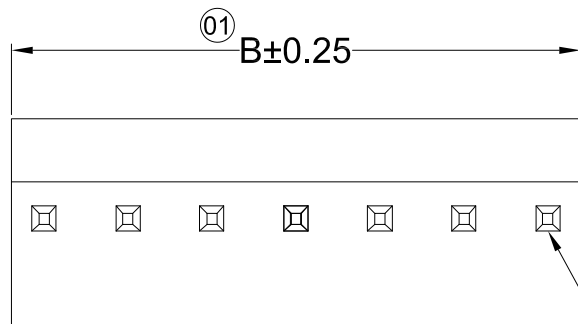
DATE

A

新版圖紙

Winky

2013. 12. 03



Recommend PCB Layout

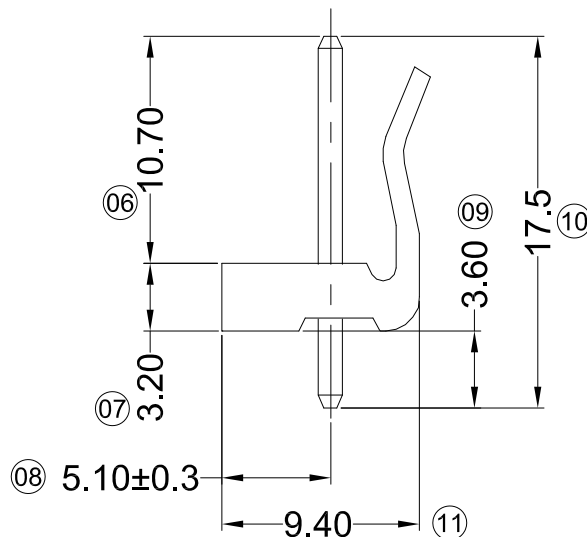
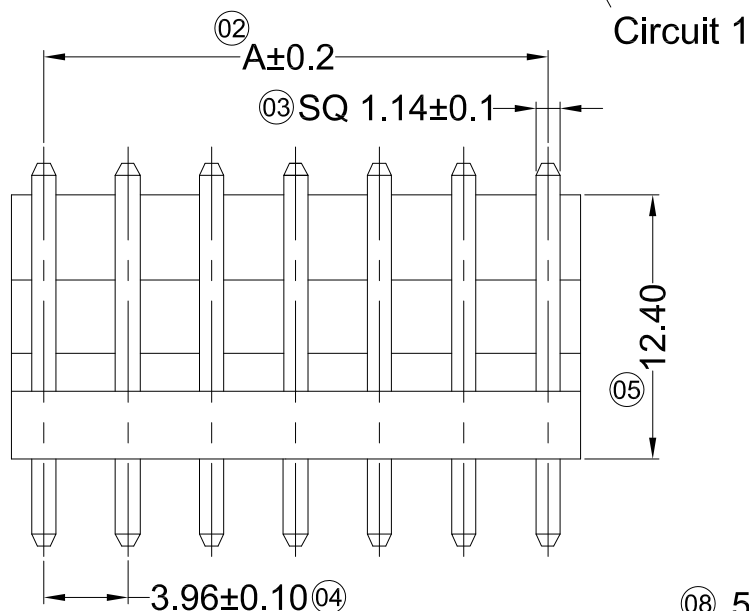
Specifications :

- Voltage rating: 250V AC / DC
- Current rating: 7A AC / DC
- Withstanding voltage: 1500V AC/minute
- Temperature range: -25°C~+85°C
- Insulation resistance: ≥1000MΩ
- Contact resistance: ≤10mΩ
- After environmental testing: ≤20mΩ

DP06 - V 2 x xx GL96W

① ② ③ ④ ⑤

- ① Series No.
- ② Welding Board Angle&Way: V: DIP 180°
- ③ Material: 2:PA66 94V-2
- ④ Planting Category: B: Bright tin plating 70-120u"
0: All Gold-Plated G/F
- ⑤ Row No.-Pin No.: xx: 02P~20P



Poles	Dimensions (mm)		Poles	Dimensions (mm)	
	A	B		A	B
02	3.96	7.92	12	43.56	47.52
03	7.92	11.88	13	47.52	51.48
04	11.88	15.84	14	51.48	55.44
05	15.84	19.80	15	55.44	59.40
06	19.80	23.76	16	59.40	63.36
07	23.76	27.72	17	63.36	67.32
08	27.72	31.68	18	67.32	71.28
09	31.68	35.64	19	71.28	75.24
10	35.64	39.60	20	75.24	79.20
11	39.60	43.56			

DP06-V20xxGL96W	PA66 UL 94V-2	Brass	Gold-Flash	DP06-H	1,000Pcs
DP06-V2BxxGL96W			Tin-Plated		
PART NO	Material	Material(Pin)	Finish(Pin)	Mates With Housing	Q'ty/Bag

DST-conn Tech. Co., Ltd.

COPYRIGHT RESERVED, PLEASE DO NOT COPY.

PART NAME	3.96mm Crimp Style Connectors	DRAWING	Winky	DWG. No.	DP06
PART NO.	DP06-V2xxxGL96W	CHECK	Roy	REV.	A
UNIT : mm	TOLERANCE UNLESS OTHERWISE SPECIFIED	X. X ±0.30 X. XX ±0.20 X. XXX ±0.10	ANGLE	APPROVAL	DATE
			±2°	SCALE	2013. 12. 03
			1:1	PAGE	1 OF 1

F

E

D

C

B

A