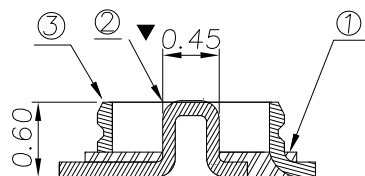
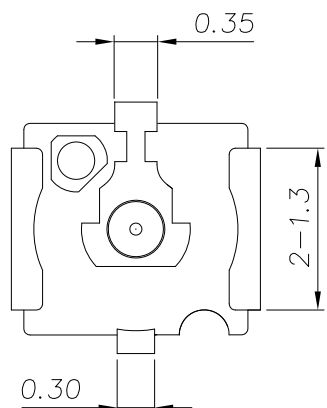
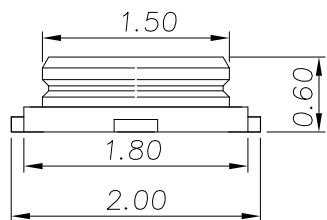
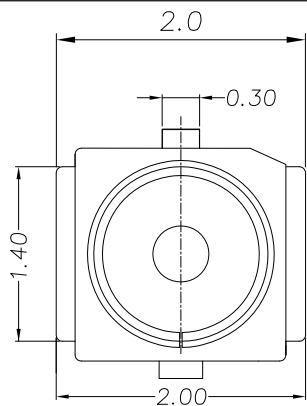


RoHS Compliant

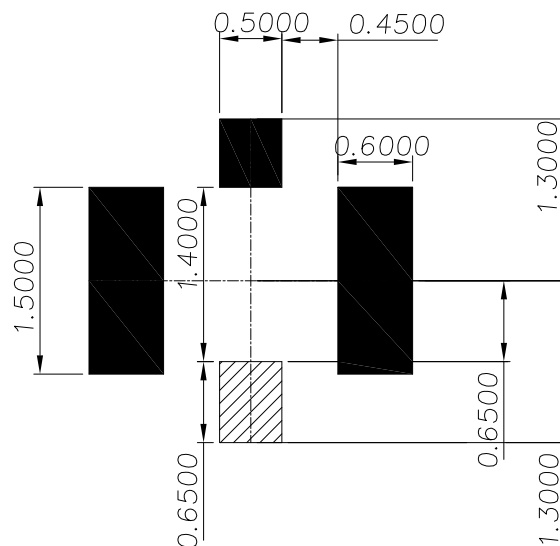
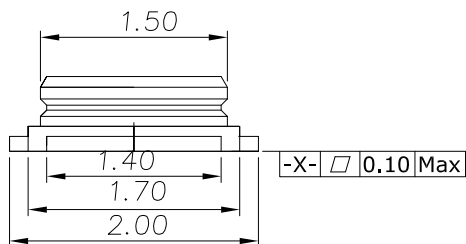
SYMBOL	REV.	REVISION	APPROVAL	DATE
	A	新版圖紙	Winky	2015.05.05

NOTE: UNLESS OTHERWISE SPECIFIED

1. DIMENSION SHALL BE INTERPRETED PER ANSI Y14.5M-1994.
2. DIMENSION MARKED WITH "▼" SHOULD SPECIFIED ON INSPECTION PLAN.
3. CONTACT RETENTION FORCE: 0.2 N MIN.
4. CONTACT MATERIAL: COPPER ALLOY.
5. INSULATOR: HIGH TEMPERATURE PLASTIC UL94 V-0.
6. CENTRE CONTACT FINISH: GOLD FLASH 1-3u", OUTER CONTACT FINISH: GOLD FLASH. ALL OVER 50u" NICKEL MIN. UNDER PLATED.
7. LOW PROFILE: 1.5MM MAX. MATING HEIGHT.
8. APPLICATION FREQUENCY UP TO 6 G HZ.



section



■ GROUND PAD

RECOMMENDED PCB LAYOUT

3	DR01-004	METAL SHELL, COPPER ALLOY, GOLD FLASH	1
2	DR01-003	CENTER PIN, COPPER ALLOY, GOLD FLASH.	1
1	DR01-002	ISULATION, LCP+30%GF, BLACK, UL94V-0	1
ITEM	PART NUMBER	DESCRIPTION	QTY

**DST**-conn Tech. Co., Ltd.

COPYRIGHT RESERVED, PLEASE DO NOT COPY.

PART NAME		RF CONN		DRAWING		Winky		DWG. No.		DR01	
PART NO.		DR01-LE0045RLI		CHECK		Roy		REV.		A	
UNIT :	TOLERANCE UNLESS	X. X	±0.30	ANGLE	APPROVAL	John	DATE	2015.05.05			
	OTHERWISE SPECIFIED	X. XX	±0.20		SCALE	1:1	PAGE	1 OF 1			
mm		X. XXX	±0.10	±2°							

F E D C B A