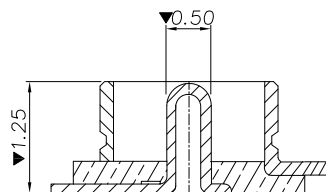
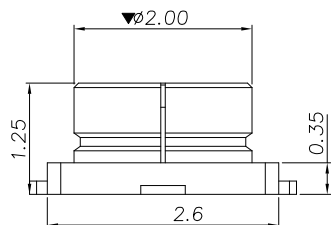
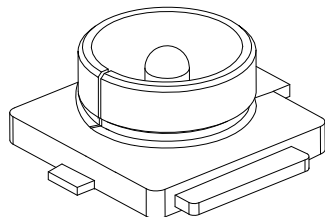
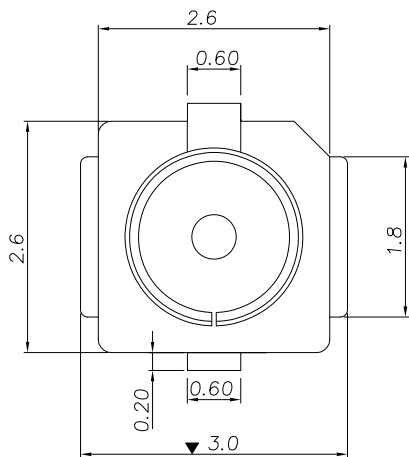


RoHS Compliant

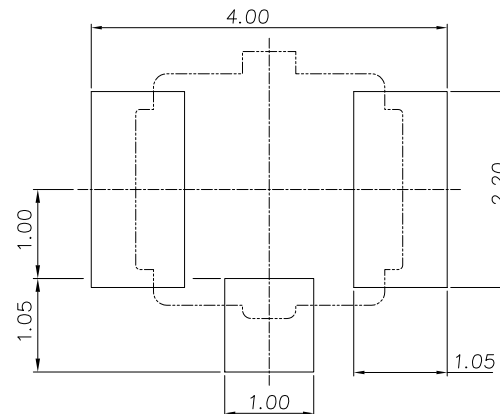
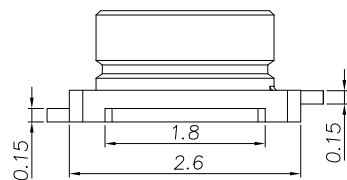
SYMBOL	REV.	REVISION	APPROVAL	DATE
	A	新版圖紙	Winky	2015. 05. 05

NOTE: UNLESS OTHERWISE SPECIFIED

1. DIMENSION SHALL BE INTERPRETED PER ANSI Y14.5M-1994.
2. DIMENSION MARKED WITH "▼" SHOULD SPECIFIED ON INSPECTION PLAN.
3. CONTACT RETENTION FORCE: 0.4 N MIN.
4. CONTACT MATERIAL: COPPER ALLOY.
5. INSULATOR: HIGH TEMPERATURE PLASTIC UL94 V-0.
6. CONTACT FINISH: GOLD FLASH 1-3u" ON MATING AREAR & PAD.  
ALL OVER 50u" Min. NICKEL UNDER PLATED.
7. ALL MATERIAL MEET RoHS SPECIFICATION AND IN CONFORMITY WITH REACH & SVHC STANDARD STIPULATIONS.



SECTION DIAGRAM



RECOMMENDED PCB LAYOUT

3	DR02-004	METAL SHELL, GOLD/BRIGHT GOLD FLASH	1
2	DR02-003	CENTER CNT, GOLD/BRIGHT GOLD FLASH	1
1	DR02-002	INSULATION , LCP+30%GF, IVORY, UL94V-0	1
ITEM	PART NUMBER	DESCRIPTION	Q'TY

**DST**-conn Tech. Co., Ltd.

COPYRIGHT RESERVED, PLEASE DO NOT COPY.

PART NAME		RF CONN		DRAWING	Winky	DWG. No.	DR02
PART NO.		DR02-LE0050RLI		CHECK	Roy	REV.	A
UNIT : mm	TOLERANCE UNLESS OTHERWISE SPECIFIED	X. X ±0.30	ANGLE ±2°	APPROVAL	John	DATE	2015. 05. 05
		X. XX ±0.20		SCALE	1:1	PAGE	1 OF 1
		X. XXX ±0.10					