

F

E

D

C

B

A

RoHS Compliant

SYMBOL

REV.

REVISION

APPROVAL

DATE

A

新版圖紙

Winky

2015. 04. 21

Notes:

*Material

Housing: LCP, UL 94V-0 rated;

Color: Black.

Contact: Brass

Plating: Gold Plating over Nickel on contact area;
Tin plating on Solder Tail.

*Mechanical

Insertion Force: 45N max.

Withdrawal Force: 10N min.

Durability: 500 cycles

*Electrical Specification

Operation Voltage: 100 VAC max.

Current Rating: 1.5 Ampere per contact

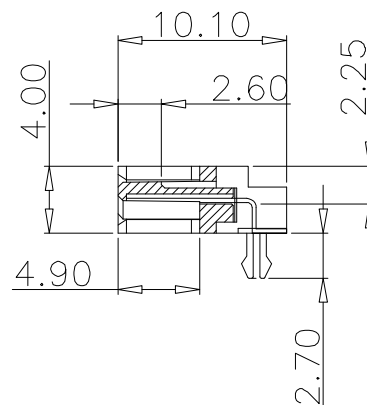
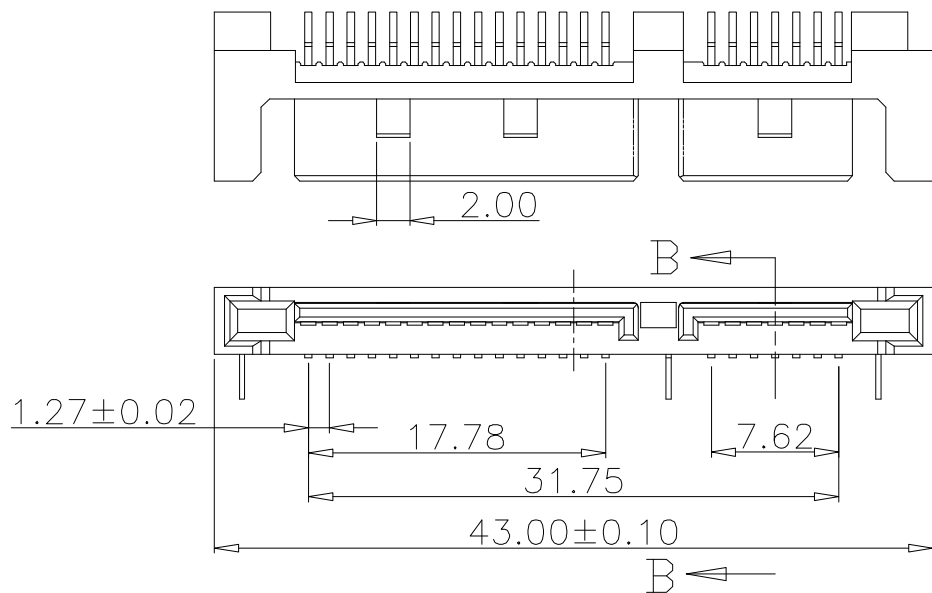
Contact Resistance: 30 Milliohms max.

Insulation Resistance: 1000 Megohms min.

Dielectric Withstanding Voltage: 500 VAC

*Environmental

Operating Temperature: -20°C to +80°C



SECTION B-B

DS02-ME X 22TL40T

Contact Plating:

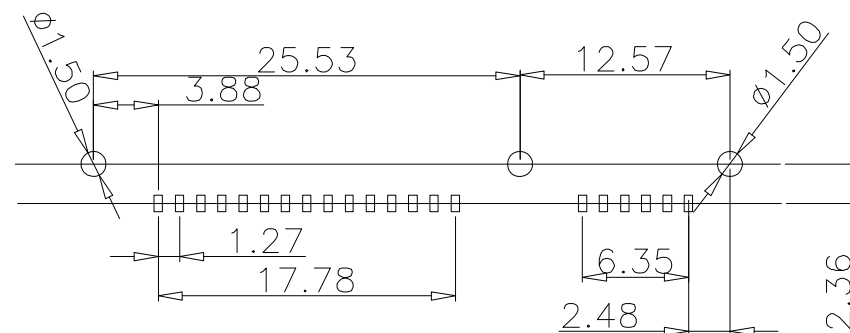
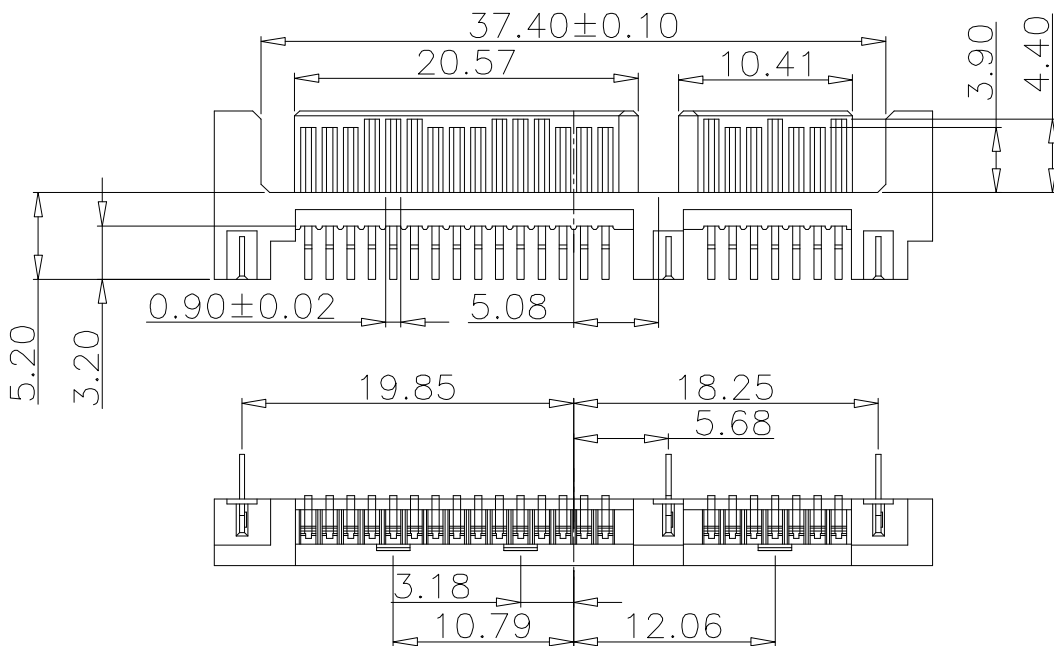
0: G/F

2: 5u"

3: 10u"

4: 15u"

6: 30u"



DST-conn Tech. Co., Ltd.

COPYRIGHT RESERVED, PLEASE DO NOT COPY.

PART NAME		SERIAL ATA 7+15P MALE 正向帶魚叉 SMT		DRAWING		Winky		DWG. No.		DS02	
PART NO.		DS02-ME x 22TL40T		CHECK		Roy		REV.		A	
UNIT :	TOLERANCE UNLESS OTHERWISE SPECIFIED	X.X	±0.25	ANGLE	APPROVAL	John	DATE	2015. 04. 21			
		X.XX	±0.15								
mm		X.XXX	±0.08								

F

E

D

C

B

A