

RoHS Compliant

SYMBOL	REV.	REVISION	APPROVAL	DATE
	A	新版圖紙	Winky	2015.03.17

NOTE:

1.MATERIAL :

BASE : HIGH TEMPERATURE THERMOPLASTIC UL94V-0,
 TERMINAL:COPPER ALLOY,THICKNESS = 0.30 mm
 FORKLOCK:COPPER ALLOY,THICKNESS = 0.30 mm

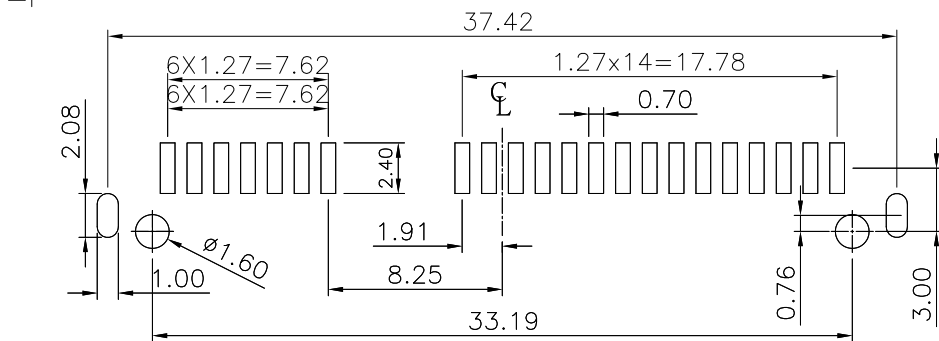
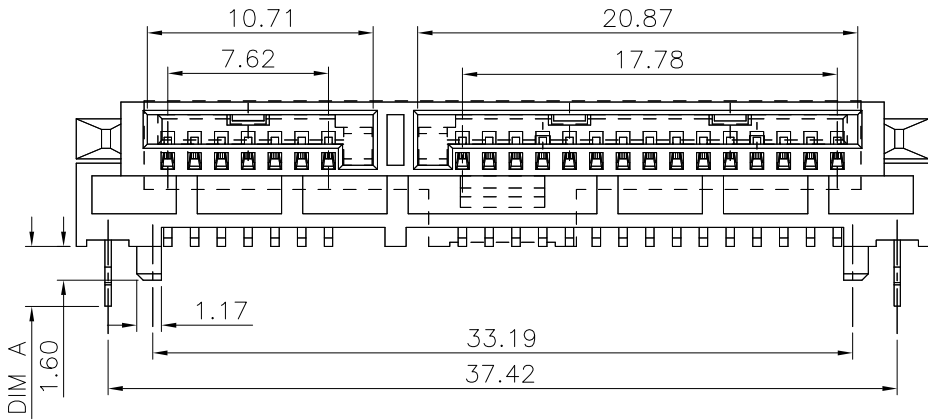
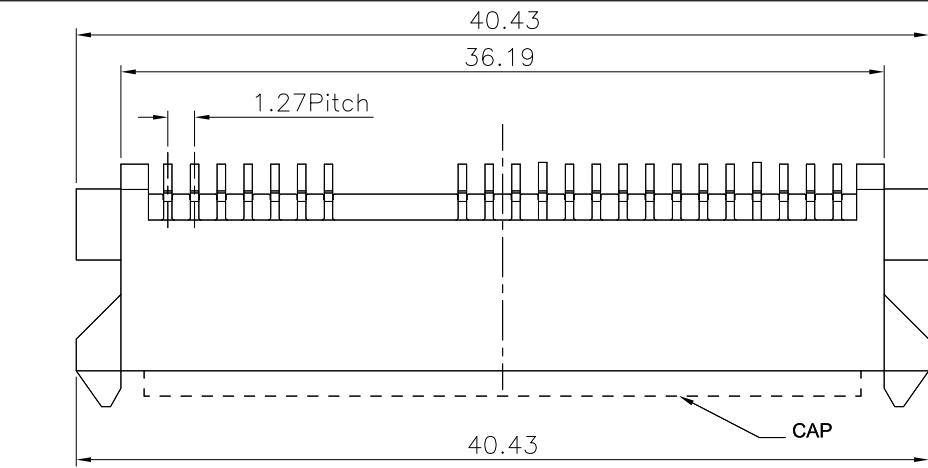
2.PLATING:

CONTACT:GOLD OVER 50u" MIN NICKEL UNDERPLATE
 SOLDER TAIL:150u"MIN MISTY TIN 50u" MIN NICKEL
 UNDERPLATE
 GOLD SPECIFICATION:SEE TABLE

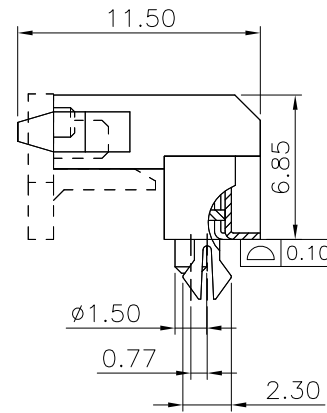
3.ELECTRONICAL SPECIFICATION:

CURRENT RATING: 1.5 AMPERE PER CONTACT
 CONTACT RESISTANCE: 30 MILLIOHMS MAX.
 INSULATION RESISTANCE: 1000 MEGOHMS MIN.
 DIELECTRIC WITHSTANDING VOLTAGE: 500 VAC.
 OPERATING TEMPERATURE: -40°C~+85°C

4.SOLDERING TEMPERATURE:260°C 5s.



RECOMMENDED PCB LAYOUT



TABLE

DS03-ME022EL68SK01	GOLD FLASH	LCP BLACK	TUBE	WITHOUT CAP	無
DS03-ME422EL68SK01	15 U" GOLD	LCP BLACK	TUBE	WITHOUT CAP	2.05
DS03-ME022EL68SK02	GOLD FLASH	LCP BLACK	TUBE	WITHOUT CAP	2.85
DS03-ME422EL68SK02	15 U" GOLD	LCP BLACK	TUBE	WITHOUT CAP	2.85
DS03-ME022RL68SK13	GOLD FLASH	LCP BLACK	REEL	WITH CAP	2.85
DS03-ME422RL68SK13	15 U" GOLD	LCP BLACK	REEL	WITH CAP	2.85
DS03-ME022EL68SK03	GOLD FLASH	LCP BLACK	TUBE	WITHOUT CAP	2.85
DS03-ME422EL68SK03	15 U" GOLD	LCP BLACK	TUBE	WITHOUT CAP	2.85
PART NO.	PLATED	PLASTIC&COLOR	PACKING	CAP	DIM A

DST-conn Tech. Co., Ltd.

COPYRIGHT RESERVED, PLEASE DO NOT COPY.

PART NAME	SATA 22P SOCKET 下彈點 SMT	DRAWING	Winky	DWG.No.	DS03
PART NO.	DS03-MEx22xL68SKxx	CHECK	Roy	REV.	A
UNIT :	TOLERANCE UNLESS OTHERWISE SPECIFIED	APPROVAL	John	DATE	2015.03.17
mm	X.X ±0.30 X.XX ±0.25 X.XXX ±0.15	SCALE	1:1	PAGE	1 OF 1
	ANGLE ±3°				