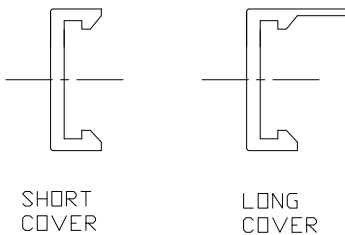
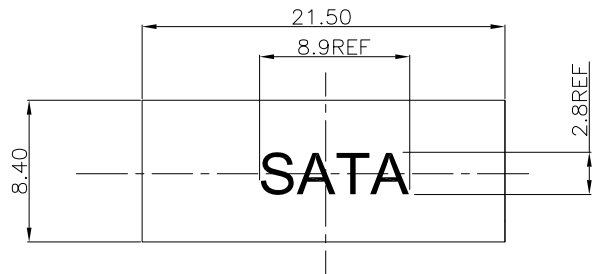
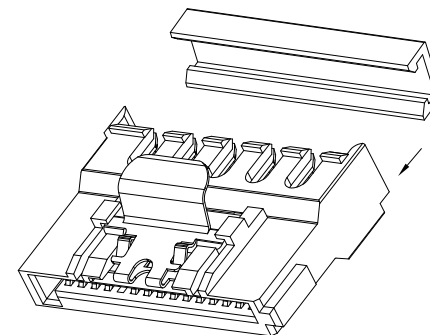
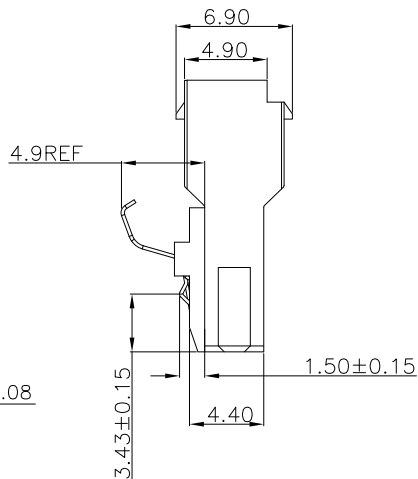
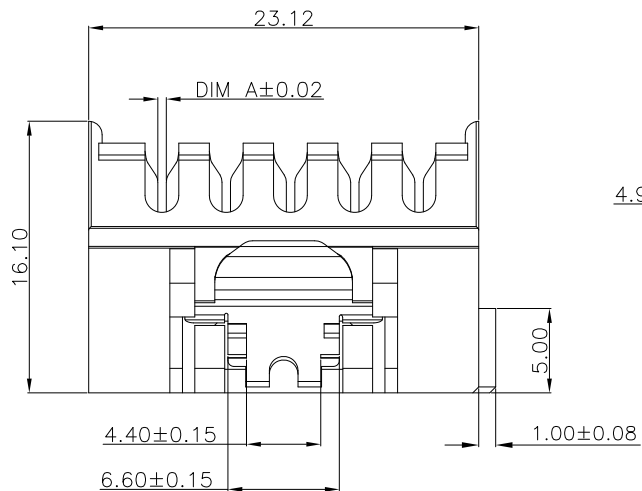


RoHS Compliant

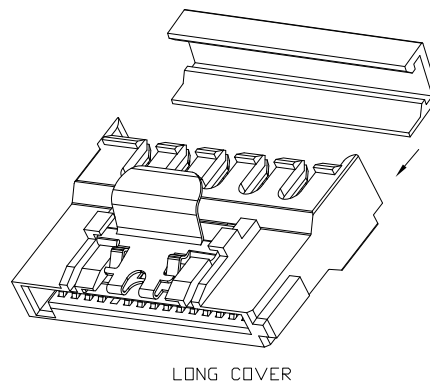
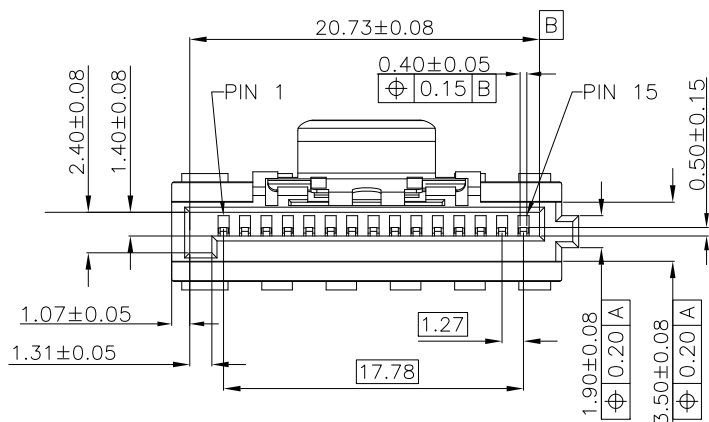
SYMBOL	REV.	REVISION	APPROVAL	DATE
	A	新版圖紙	Winky	2009.09.22



- NOTES:
- MATERIAL:
 BASE&COVER:HIGH TEMPERATURE THERMOPLASTIC,UL94 V-0,
 COLOR:BLACK
 CONTACT:COPPY ALLOY T=0.30±0.01mm
 SPRING:STAINLESS STEEL T=0.20±0.01mm
 - PLATING:
 CONTACT:GOLD OVER PLATED UNDERPLATE TERMINAL AREA,100u"MIN
 TIN OVER PLATED SOLDER TAIL AREA 50u" MIN NICKEL UNDERPLATE
 GOLD SPECIFICATION: a: G/F b: 15u"
 - ELECTRONICAL SPECIFICATION:
 CURRENT RATING:1.5 AMPERE PER CONTACT
 CONTACT RESISTANCE:30 MILLIOHMS MAX.
 INSULATION RESISTANCE:1000 MEGOHMS MIN.
 DIELECTRIC WITHSTANDING VOLTAGE:500 VAC.
 OPERATING TEMPERATURE:-20°C~+85°C
 - THE PRODUCT SHOULD BE GP COMPLIANCE



SHORT COVER



LONG COVER

TABLE 1

NO	PART NUMBER	PLATING	COVER	DIM A
8	DS05-PG415GL69SK11	15U"	LONG COVER	0.80
7	DS05-PG015GL69SK11	G/F		
6	DS05-PG415GL69SK21	15U"	SHORT COVER	
5	DS05-PG015GL69SK21	G/F		
4	DS05-PG415GL69SK12	15U"	LONG COVER	0.50
3	DS05-PG015GL69SK12	G/F		
2	DS05-PG415GL69SK22	15U"	SHORT COVER	
1	DS05-PG015GL69SK22	G/F		

DST-conn Tech. Co., Ltd.

COPYRIGHT RESERVED, PLEASE DO NOT COPY.

PART NAME	ASSEMBLY OF SATA-15P IDC (WITH SPRING)(FULL PIN)--NEW YYPE	DRAWING	Winky	DWG. No.	DS05	
PART NO.	DS05-PGx15GL69SKxx	CHECK	Roy	REV.	A	
UNIT : mm	TOLERANCE UNLESS OTHERWISE SPECIFIED	X. X ±0.20	APPROVAL	John	DATE	2009.09.22
		X. XX ±0.15				
						±2°

F E D C B A