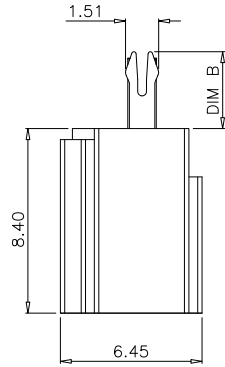
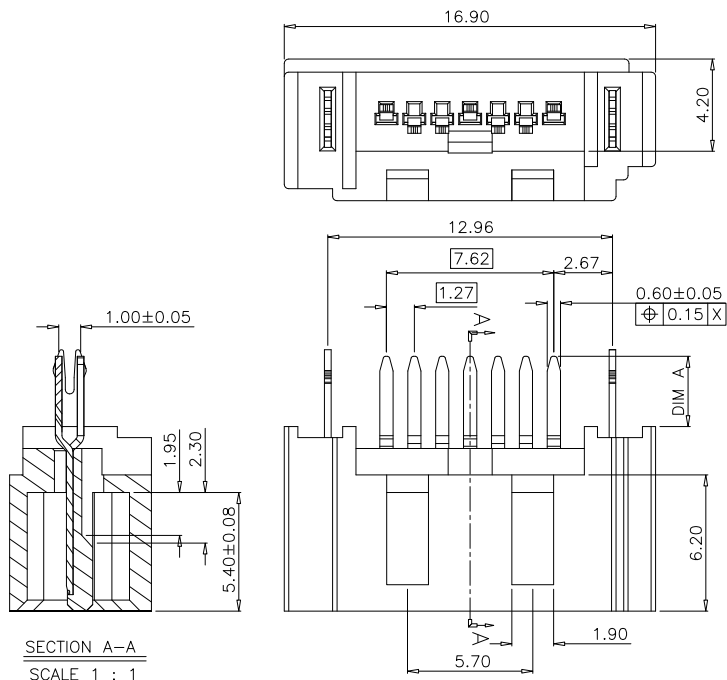


RoHS Compliant

SYMBOL	REV.	REVISION	APPROVAL	DATE
	A	新版圖紙	Winky	2007. 04. 11

NOTES:  
 1, MATERIAL:  
 HOUSING: HIGH TEMPERATURE THERMOPLASTIC, UL94 V-0,  
 COLOR: SEE TABLE  
 CONTACT: COPPER ALLOY T=0.30±0.01mm  
 LATCH: COPPER ALLOY T=0.30±0.01mm  
 2, PLATING:  
 LATCH: SOLDER TAIL 100u" MIN MISTY TIN OVER  
 50u" MIN NICKEL UNDERPLATE  
 CONTACT: 150u" MIN MISTY TIN PLATING ON SOLDER TAILS  
 50u" MIN NICKEL UNDERPLATING OVER ALL GOLD SPECIFICATION:  
 a: G/F b: 15u" c: 30u"  
 3. ELECTRICAL SPECIFICATION:  
 CURRENT RATING: 1.5 AMPERE PER CONTACT  
 CONTACT RESISTANCE: 30 MILLIOHMS MAX.  
 INSULATION RESISTANCE: 1000 MEGOHMS MIN.  
 DIELECTRIC WITHSTANDING VOLTAGE: 500 VAC.  
 OPERATING TEMPERATURE: -20°C ~ +85°C



SECTION A-A  
SCALE 1 : 1

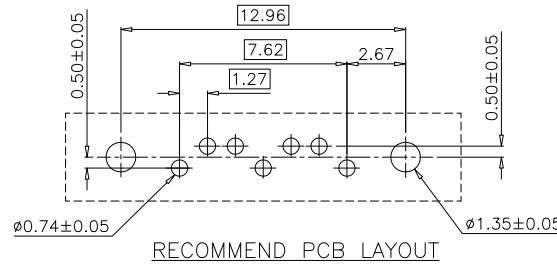
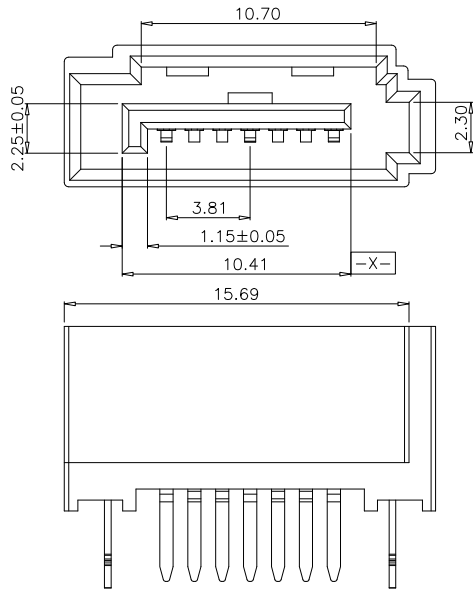


TABLE					RoHS	3
PART NO	PLATING	DIM A	DIM B	MATERIAL&COLOR		
DS10-VM407TL84SK1B	15U"	L=2.45mm	2.50	PA46 BLACK	GP	
DS10-VM407TL84SK2E	15U"	L=3.20mm	3.50	PA46 BLUE		
DS10-VM007TL84SK2E	G/F	L=2.10mm	2.50	PA46 RED		
DS10-VM407TL84SK3R	15U"	L=2.45mm	2.50	PA46 BLUE		
DS10-VM007TL84SK3R	G/F	L=2.10mm	2.50	PA46 BLACK		
DS10-VM407TL84SK1E	15U"	L=3.20mm	3.50	PA46 BLACK		
DS10-VM407TL84SK3E	15U"	L=2.10mm	2.50	PBT BLACK		
DS10-VM007TL84SK3E	G/F	L=2.10mm	2.50	LCP ORANGE		
DS10-VM407TL84SK2B	15U"	L=2.45mm	2.50	LCP BLACK		
DS10-VM407TL84SK3B	15U"	L=2.10mm	2.50			
DS10-VM007TL84SK3B	G/F	L=2.45mm	2.50			
DS10-VG407TG84SK1B	15U"	L=2.45mm	2.50			
DS10-VG007TG84SK1B	G/F	L=2.10mm	2.50			
DS10-VE407TG84SK1A	15U"	L=2.45mm	2.50			
DS10-VE007TG84SK1A	G/F	L=2.10mm	2.50			
DS10-VE407TG84SK3B	15U"	L=2.45mm	2.50			
DS10-VE007TG84SK3B	G/F	L=3.20mm	3.50			
DS10-VE507TG84SK1B	30U"	L=3.20mm	2.50			
DS10-VE407TG84SK1B	15U"	L=2.45mm	2.50			
DS10-VE007TG84SK1B	G/F	L=2.10mm	2.50			
DS10-VE507TG84SK2B	30U"	L=2.45mm	2.50			
DS10-VE407TG84SK2B	15U"	L=3.20mm	2.50			
DS10-VE007TG84SK2B	G/F	L=2.10mm	2.50			
DS10-VE407TG84SK4B	15U"	L=3.20mm	2.50			
DS10-VE007TG84SK4B	G/F	L=3.20mm	2.50			

**DST-conn Tech. Co., Ltd.**

COPYRIGHT RESERVED, PLEASE DO NOT COPY.

PART NAME	SATA 7P 180° A型 魚叉式全包無錯位	DRAWING	Winky	DWG. No.	DS10
PART NO.	DS10-Vxx07Tx84SKxx	CHECK	Roy	REV.	A
UNIT :	TOLERANCE UNLESS OTHERWISE SPECIFIED	APPROVAL	John	DATE	2007. 04. 11
mm	X. X ±0.20 X. XX ±0.15 X. XXX ±0.10	SCALE	1:1	PAGE	1 OF 1
	ANGLE ±3°				