

F

E

D

B

A

RoHS Compliant

SYMBOL

REV.

REVISION

APPROVAL

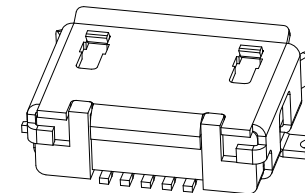
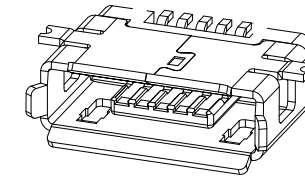
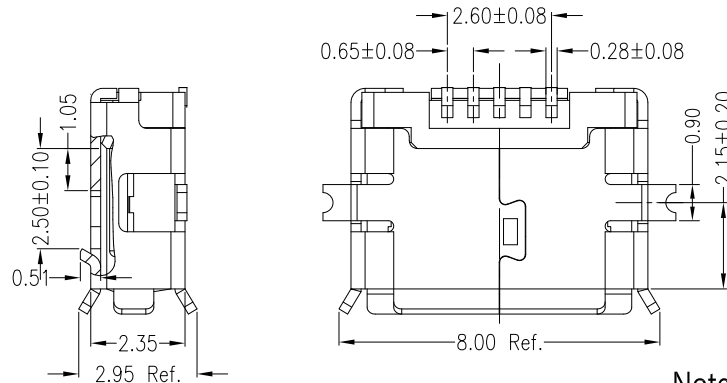
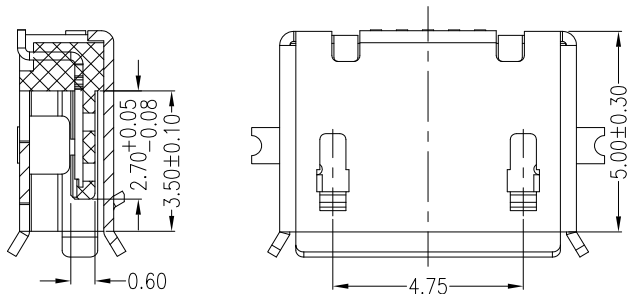
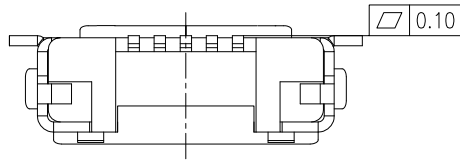
DATE

A

新版圖紙

Winky

2012/05/03



Note:

1.Material:

1.1 Housing: High temperature

thermoplastic LCP with GF,UL94V-0 , BLACK

1.2 Contact: copper alloy,t=0.20mm Gold Flash

1.3 Shell: copper alloy,t=0.25mm

2.Specification:

2.1 Current rating:1,5PIN 1.8A Max/2,3,4PIN 1A Max.

2.2 Dielectric withstanding  
voltage: 100 V(ac) for 1 min.

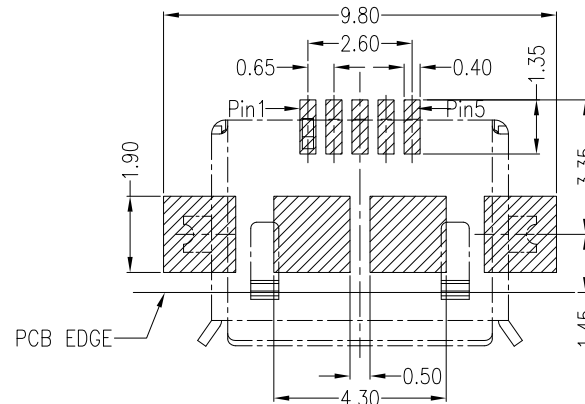
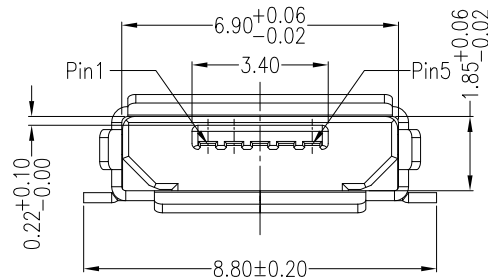
2.3 Contact resistance: 30 mΩ Max.

2.4 Insulation resistance: 100 MΩ Min.

2.5 Total mating force: 3.57 Kgf Max.

2.6 Total unmating force: 1.0 Kgf Min

2.7 Temperature range: -30°C~80°C



RECOMMENDED PCB LAYOUT

PCB图仅供参考

DST-conn Tech. Co., Ltd.

COPYRIGHT RESERVED, PLEASE DO NOT COPY.

PART NAME		MICRO USB S5 AB型 無柱 SMT		DRAWING	Winky	DWG. No.	DU02
PART NO.		DU02-MSEB005RLG		CHECK	Roy	REV.	A
UNIT : mm	TOLERANCE UNLESS OTHERWISE SPECIFIED	X. X ± 0.25	ANGLE ±5°	APPROVAL	John	DATE	2012/05/03
		X. XX ± 0.20		SCALE	1:1	PAGE	1 OF 1
		X. XXX ± 0.10					

F

E

B

A