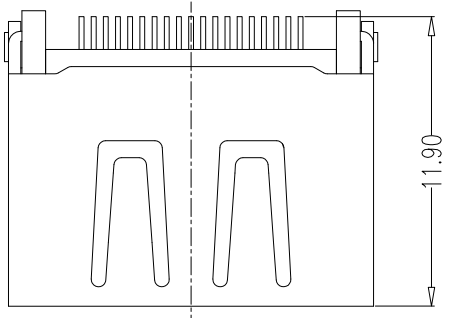


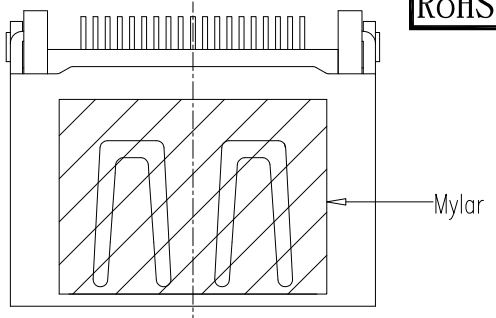
F E D C B A

RoHS Compliant

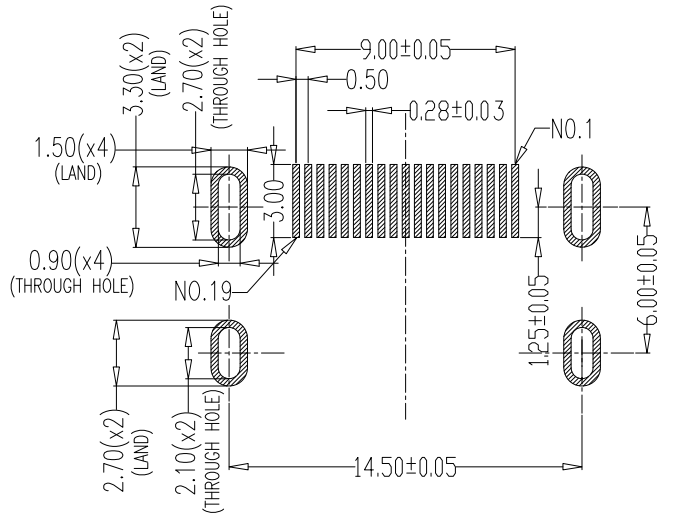
SYMBOL	REV.	REVISION	APPROVAL	DATE
	A	新版圖紙	Winky	2012. 02. 16



P/N: DU10-HMEBx19RLV-x



P/N: DU10-HMEBx19MLV-x

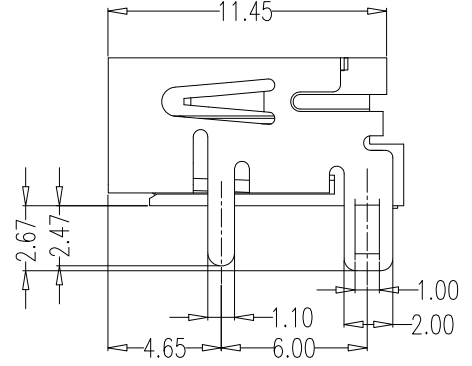
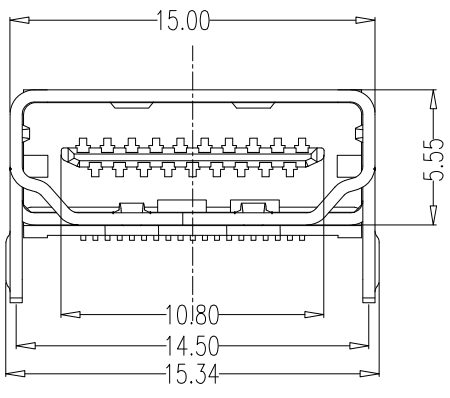


1

1

2

2



NOTE: RECOMMENDED P.C.B. LAYOUT
DU10-HMEBx19xLV-x

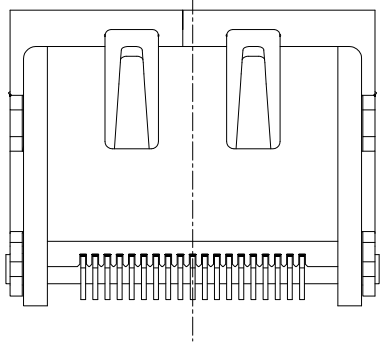
PLATING:
0: G/F
1: 3u"
2: 5u"
4: 15u"
7: 20u"
5: 30u"

SHELL MATERIAL & PLATING:
1: COPPER ALLOY/NI
2: COPPER ALLOY/Au

PACKAGE:
R: TAPE REEL
M: TAPE REEL+MAYLAR

3

3



4

4

3	SHELL	COPPER ALLOY T=0.50mm	NICKEL PLATED	
2	HOUSING	LCP+30%G.F., UL9V-0	COLOR: BLACK	
1	TERMINAL	COPPER ALLOY T=0.25mm	CONTACT AREA:SEE NOTE SOLDER AREA:Sn 80u" UNDER PLATING:Ni 50u"	
ITEM	DESC.	MATERIAL	REMARKS	PART REMARKS

DST-conn Tech. Co., Ltd.

COPYRIGHT RESERVED, PLEASE DO NOT COPY.

PART NAME	HDMI A/F/SMT/TYPE 11/WITHOUT 帶凸点	DRAWING	Winky	DWG. No.	DU10
PART NO.	DU10-HMEBx19xLV-x	CHECK	Roy	REV.	A
UNIT : mm	TOLERANCE UNLESS OTHERWISE SPECIFIED	X. X ±0.30 X. XX ±0.20 X. XXX ±0.10	APPROVAL	John	DATE
		ANGLE ±2°	SCALE	1:1	PAGE
					1 OF 1

F E D C B A