

F

E

D

C

B

A

RoHS Compliant

SYMBOL

REV.

REVISION

APPROVAL

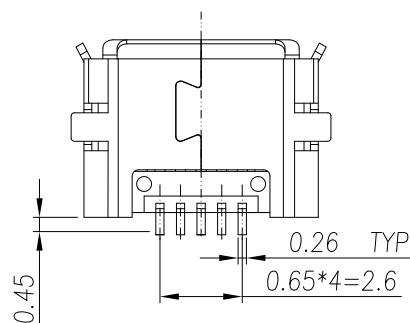
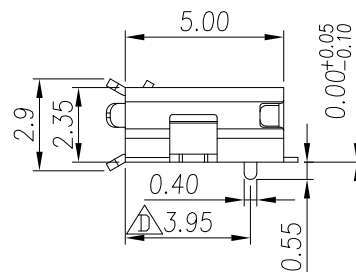
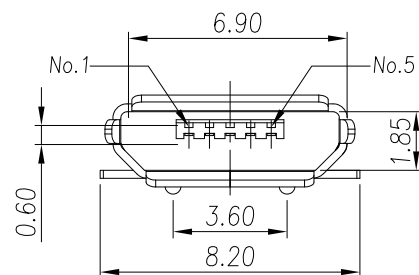
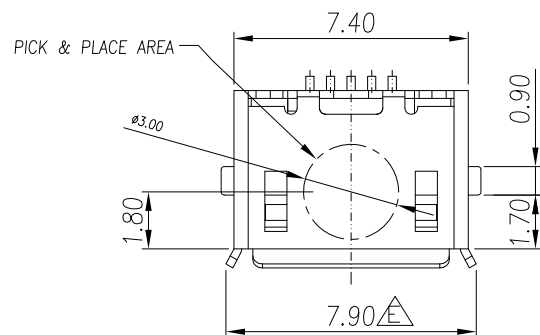
DATE

A

新版圖紙

Winky

2007/04/10



## 1. MATERIAL :

1-1. HOUSING : LCP UL94V-0 ; COLOR : BLACK

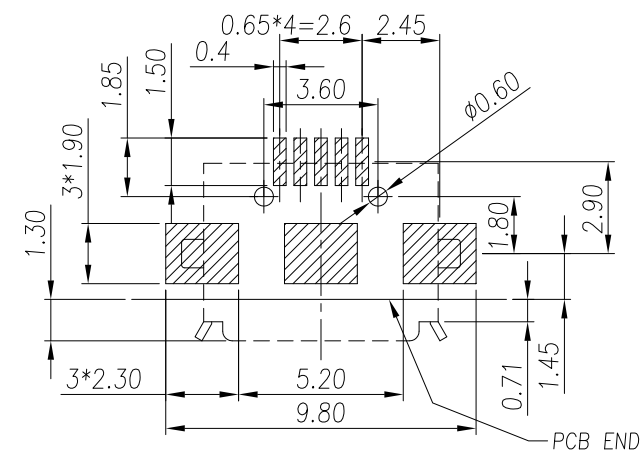
1-2. CONTACT : PHOSPHOR BRONZE.

1-3. SHELL : STAINLESS

## 2. FINISH :

2-1. CONTACT : SEE TABLE A

2-2. SHELL : SEE TABLE A



RECOMMEND P.C.B LAYOUT

TABLE A

DU21-MSEB005RLNY	GOLD FLASH/ MATTE TIN 60u"
DU21-MSEB405RLNY	GOLD 15u" / MATTE TIN 60u"
DU21-MSEB305RLNY	GOLD 10u" / MATTE TIN 60u"
P/N	PLATED

DST-conn Tech. Co., Ltd.

COPYRIGHT RESERVED, PLEASE DO NOT COPY.

PART NAME		MICRO USB 5PIN (F) B TYPE加定位柱		DRAWING	Winky	DWG.No.	DU21
PART NO.		DU21-MSEBx05RLNY		CHECK	Roy	REV.	A
UNIT :	TOLERANCE UNLESS	X.X ± 0.10	ANGLE	APPROVAL	John	DATE	2007/04/10
	mm	X.XX ± 0.05		SCALE	1:1	PAGE	1 OF 1
	OTHERWISE SPECIFIED	X.XXX ± 0.03	±1°				

F

E

D

C

B

A