

F

E

D

C

B

A

RoHS Compliant

SYMBOL

REV.

REVISION

APPROVAL

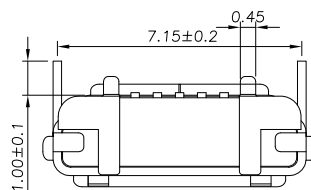
DATE

A

新版圖紙

Winky

2009/11/09



规格说明:Specifications:

电气特性:Electrical:

1. 额定电流: Current Rating
1.0A/contact terminal
2. 额定电压: Voltage Rating
30V DC
3. 接触阻抗: Contact Resistance
50 milliohms MAX
4. 耐电压: Dielectric Withstanding Voltage:
300 V AC AT Sea Level
5. 绝缘阻抗: Insulation Resistance:
100MEGA ohms MIN

物理性能:Physical properties:

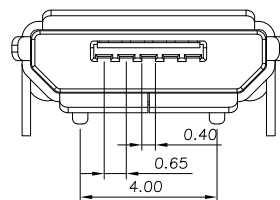
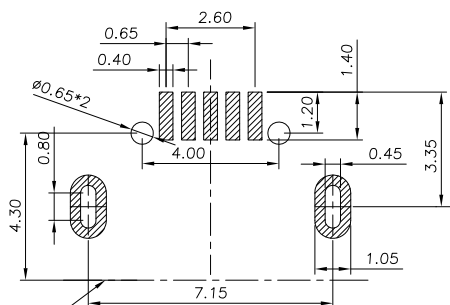
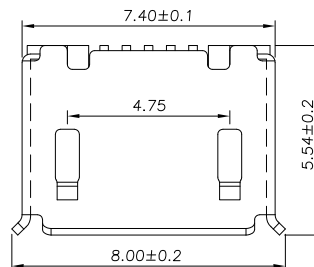
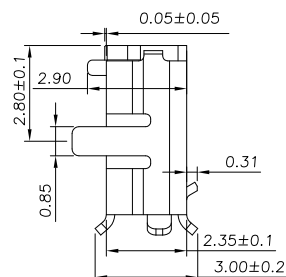
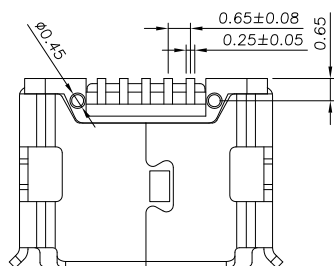
1. 插拔力: Connector Mate and Unmate Force
Mate force: 3.0kgf (MAX)
Unmate force: 0.7kgf (MIN)
2. 端子保持力: Terminal retention force
0.5kgf (MIN)

原材料:Raw material:

1. 塑胶: Plastic cement:
High Temperature Thermoplastics,
UL 94V-0 LCP Black
2. 端子: Contact: Copper Alloy C5191
3. 外壳: Shell: Copper Alloy C2680

电镀:Electroplate:

1. 端子: Contact: Plated Gold 1u" on Contact Area;
Tin On Solder Tails
2. 外壳: Shell:
Nickel Plating



PCB EDGE
RECOMMENDED PCB LAYOUT
(TOL: ±0.05)

DST-conn Tech. Co., Ltd.

COPYRIGHT RESERVED, PLEASE DO NOT COPY.

PART NAME		MICRO USB 5P/F DIP B型有柱(直脚)		DRAWING	Winky	DWG. No.	DU22
PART NO.		DU22-MSEB005RLKE		CHECK	Roy	REV.	A
UNIT :	TOLERANCE UNLESS	X. X ± 0.30	ANGLE	APPROVAL	John	DATE	2009/11/09
	mm	X. XX ± 0.20		±2°	SCALE	1:1	PAGE
		OTHERWISE SPECIFIED	X. XXX ± 0.10				

F

E

D

C

B

A