

F

E

D

C

B

A

RoHS Compliant

SYMBOL

REV.

REVISION

APPROVAL

DATE

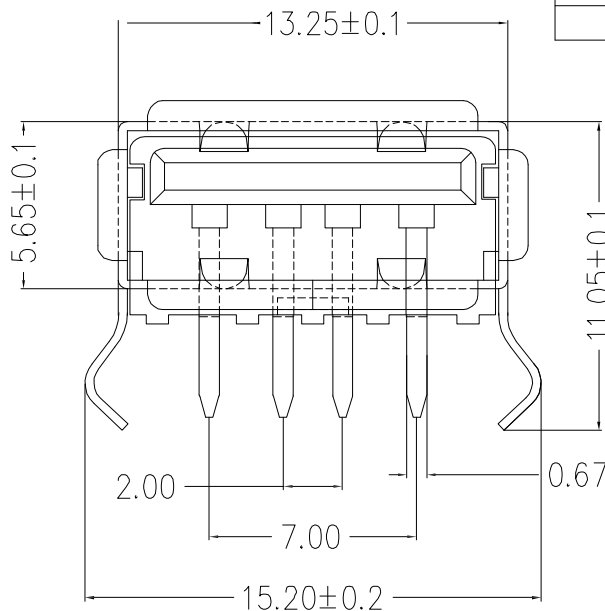
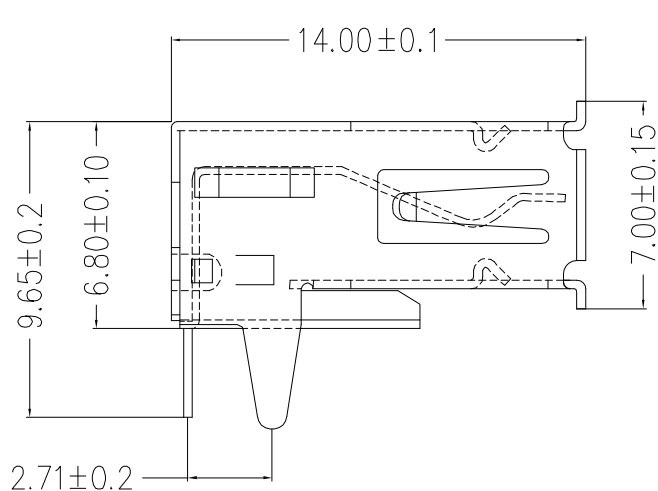
A

新版圖紙

Winky

2009. 11. 09

1

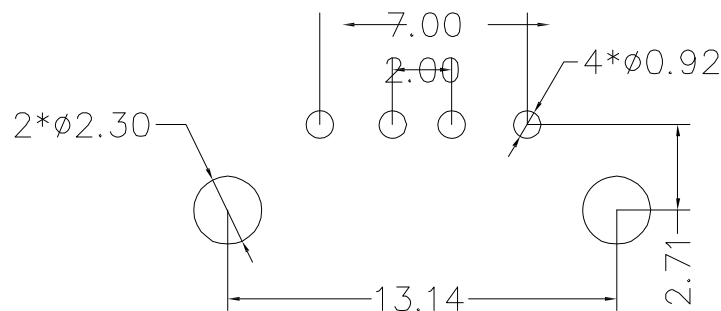
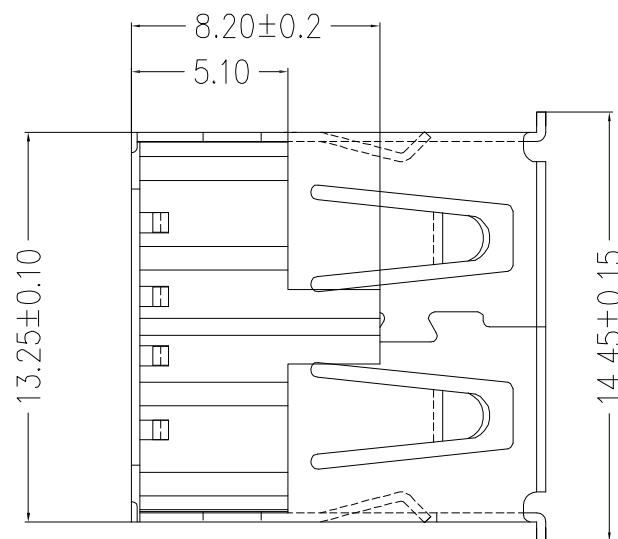


PRODUCT NUMBER CODE

DU24-A D Gx 0 04 TLKE x  
 ① ② ③ ④ ⑤

- PRODUCT CODE:  
DU24-A: USB A TYPE PLUG CONN.
- INSULATOR COLOR OR HOUSING:  
GW: WHITE PBT  
GB: BLACK PBT
- CONTACT PLATING THICKNESS:  
0: CONTACT PLATED G/F IN MATING AREA
- POSITIONS:  
04: 4 POSITIONS
- SHELL PLATING:  
1: SPCC BRIGHT Ni 50~80u" OVER Cu 50u"  
2: C2680 BRIGHT Ni 60~120u"  
MATERIAL OF CONTACT: BRASS

2



PCB.LAYOUT

3

4

DST-conn Tech. Co., Ltd.

COPYRIGHT RESERVED, PLEASE DO NOT COPY.

PART NAME		USB AF 90° 有蓋彎腳		DRAWING		Winky		DWG.No.		DU24		
PART NO.		DU24-ADGx004TLKEx		CHECK		Roy		REV.		A		
UNIT : mm	TOLERANCE UNLESS OTHERWISE SPECIFIED		X.X ±0.30	ANGLE ±3°	APPROVAL		John		DATE		2009. 11. 09	
			X.XX ±0.20		SCALE		1:1		PAGE		1 OF 1	
		X.XXX ±0.10										

F

E

D

C

B

A

1

2

3

4