

F

E

D

C

B

A

RoHS Compliant

SYMBOL

REV.

REVISION

APPROVAL

DATE

A

新版圖紙

Winky

2009. 11. 09

PRODUCT NUMBER CODE

DU25-A S Ex 0 04 RLKE x
 ① ② ③ ④ ⑤

1. PRODUCT CODE:

DU25-A: USB A TYPE PLUG CONN.

2. INSULATOR COLOR OR HOUSING:

EW: WHITE LCP

EB: BLACK LCP

3. CONTACT PLATING THICKNESS:

0:CONTACT PLATED G/F IN MATING AREA

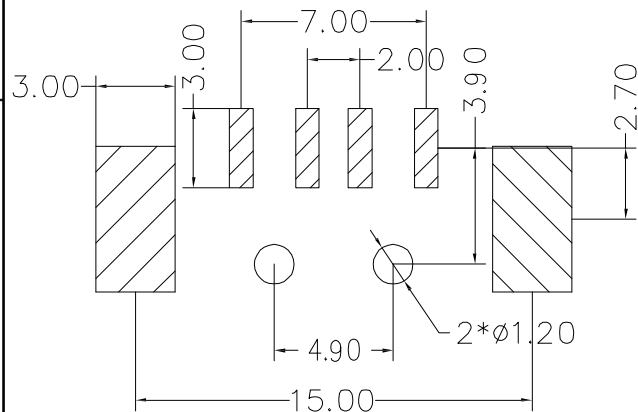
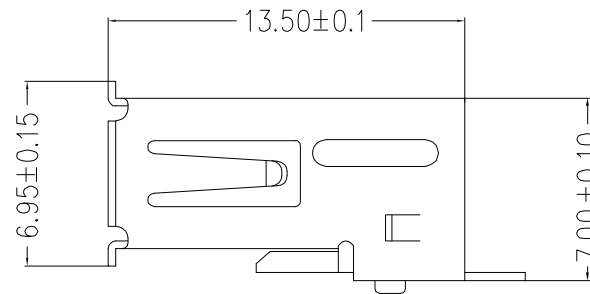
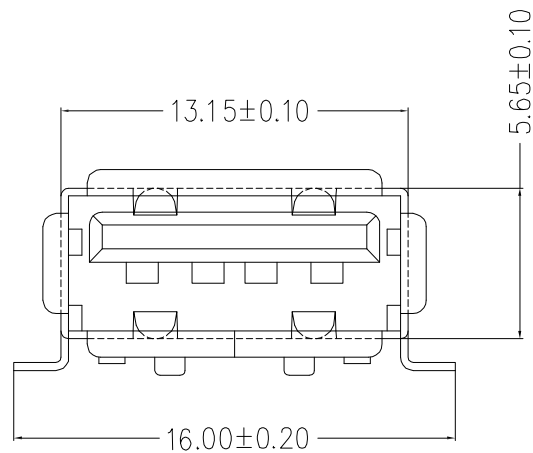
4. POSITIONS:

04: 4POSITIONS

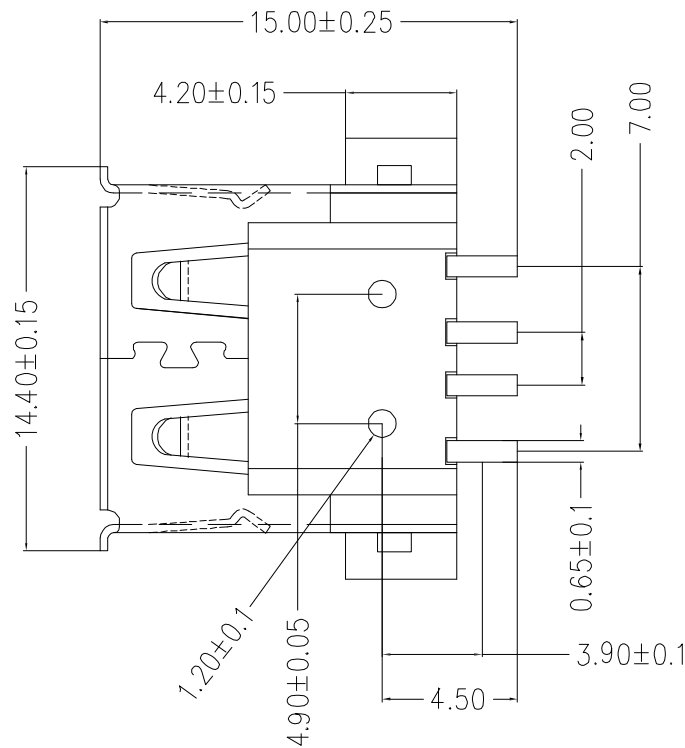
5. SHELL PLATING:

1:SPCC BRIGHT Ni 50~80 μ OVER Cu 50 μ 2:C2680 BRIGHT Ni 60~120 μ

MATERIAL OF CONTACT: BRASS



PCB.LAYOUT



DST-conn Tech. Co., Ltd.

COPYRIGHT RESERVED, PLEASE DO NOT COPY.

PART NAME		USB AF SMT 全貼片白鐵		DRAWING	Winky	DWG.No.	DU25
PART NO.		DU25-ASEx004RLKEx		CHECK	Roy	REV.	A
UNIT : mm	TOLERANCE UNLESS	X.X ±0.30	ANGLE	APPROVAL	John	DATE	2009. 11. 09
	OTHERWISE SPECIFIED	X.XX ±0.20 X.XXX ±0.10		SCALE	1:1	PAGE	1 OF 1

F

E

D

C

B

A