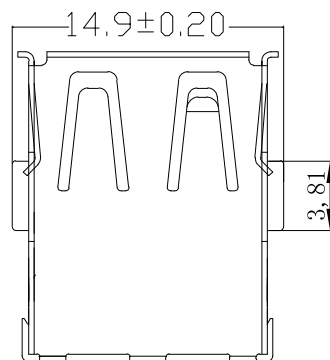
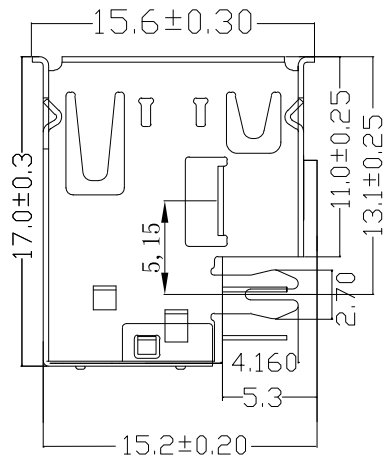
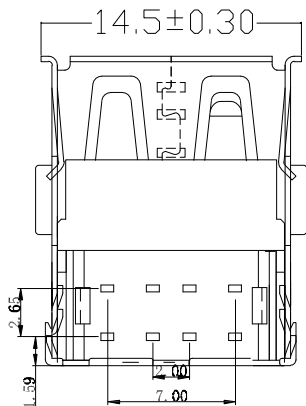


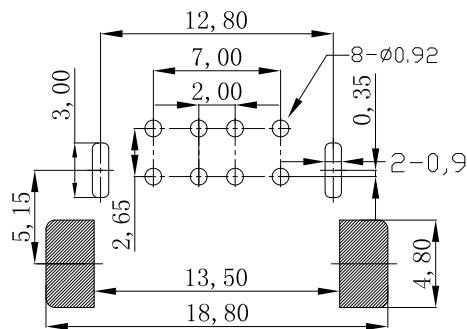
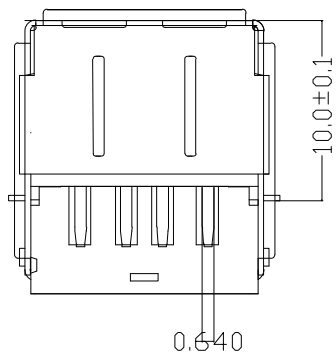
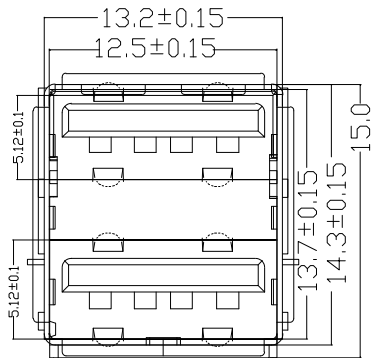
RoHS Compliant

SYMBOL	REV.	REVISION	APPROVAL	DATE
	A	新版圖紙	Winky	2012. 03. 06



Notes:

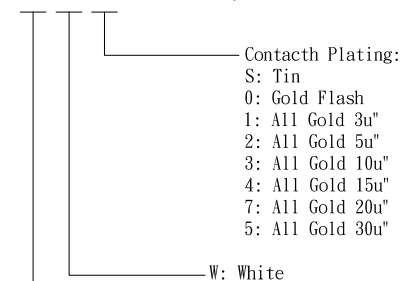
- 1.1 Dielectric strength: AC 500V/0.5mA/60s
- 1.2 Insulation resistance: DC 500V/1000Mohm(MIN)
- 1.3 Contact resistance: ≤30m ohm
- 1.4 Temperature: -40°C ~85°C
- 1.5 Withdrawal force: 10Nmin
- 1.6 Insertion force: 35Nmax
- 1.7 Wear testing: 1500 CycLes MIN.
- 1.8 Material should meet RoHS requirement.
- 1.9 Stress measure mark "▲" Sign



RBCOMMENDBD P. C. B PATTBRN LAY OUT

### Ordering Information:

DU27-AM x W x 08 TLQ



Insulation Material:  
 G: PBT  
 B: NYLON 6T  
 I: NYLON 66  
 D: NYLON 9T  
 E: LCP

**DST**-conn Tech. Co., Ltd.

COPYRIGHT RESERVED, PLEASE DO NOT COPY.

PART NAME	USB AF雙層沉板 DIP+翅膀腳		DRAWING	Winky	DWG. No.	DU27
PART NO.	DU27-AMxWx08TLQ		CHECK	Roy	REV.	A
UNIT :	TOLERANCE UNLESS	X. X ±0.45	APPROVAL	John	DATE	2012. 03. 06
mm	OTHERWISE SPECIFIED	X. XX ±0.30 X. XXX ±0.20	SCALE	1:1	PAGE	1 OF 1
		ANGLE ±3°				

F

E

D

C

B

A