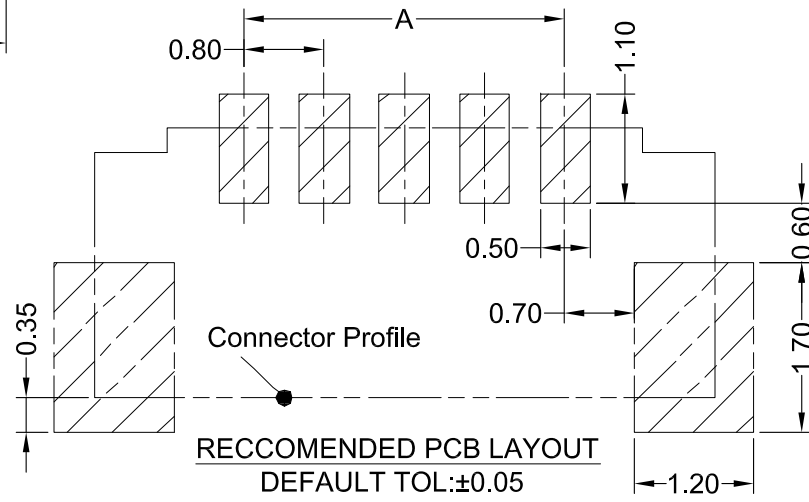
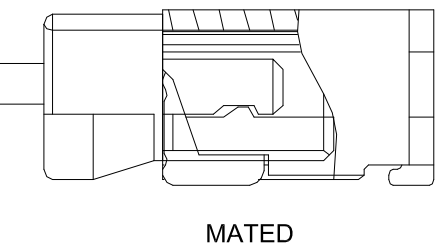
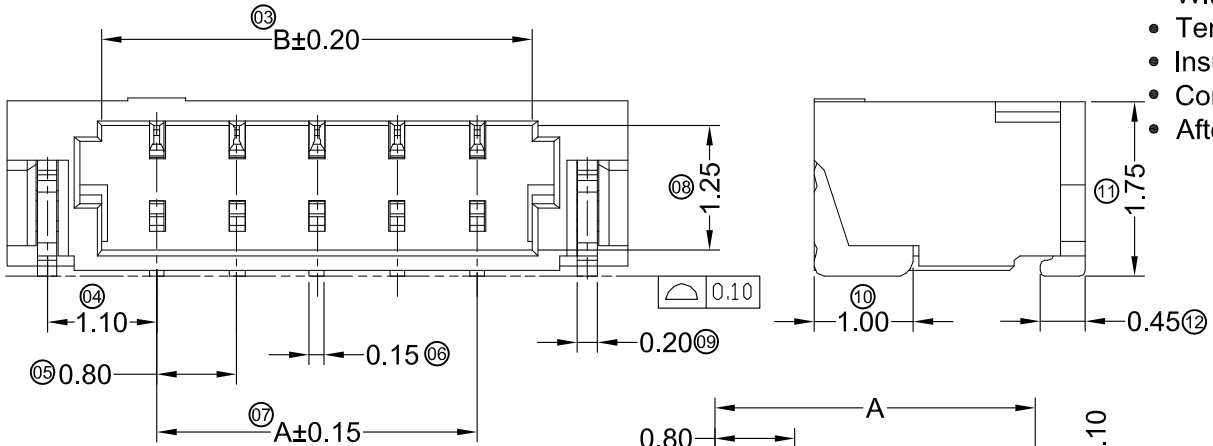
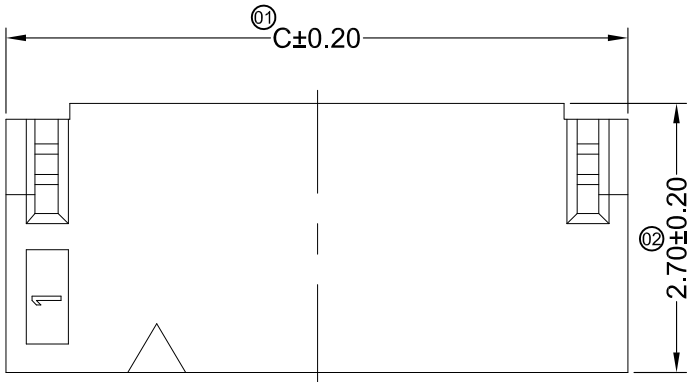


RoHS Compliant  
Halogen Free

SYMBOL	REV.	REVISION	APPROVAL	DATE
	A	新版圖紙	Winky	2015. 04. 16

DW05-WSM0xxRLW	PA46 UL 94V-0	Phosphor Bronze	Gold-Flash	Brass	Gold-Flash	DW05-H	1,000Pcs
DW05-WSE0xxRLW	LCP UL 94V-0		Gold-Flash		Gold-Flash		
DW05-WSEBxxRHW	LCP UL 94V-0 Halogen-free		Tin-Plated		Tin-Plated		
DW05-WSEBxxRLW	LCP UL 94V-0		Tin-Plated		Tin-Plated		
PART NO	Material	Material(Pin)	Finish(Pin)	Material (Solder Tabs)	Finish (Solder Tabs)	Mates With DST Housing	Q'ty/Bag



- Specifications :**
- Voltage rating: 30V AC / DC
  - Current rating: 0.5A AC / DC
  - Withstanding voltage: 200V AC/minute
  - Temperature range: -25°C~+85°C
  - Insulation resistance: ≥100MΩ
  - Contact resistance: ≤20mΩ
  - After environmental testing: ≤30mΩ

Poles	Dimensions (mm)		
	A	B	C
2	0.80	1.90	3.80
3	1.60	2.70	4.60
4	2.40	3.50	5.40
5	3.20	4.30	6.20
6	4.00	5.10	7.00
7	4.80	5.90	7.80
8	5.60	6.70	8.60
9	6.40	7.50	9.40
10	7.20	8.30	10.20
11	8.00	9.10	11.00
12	8.80	9.90	11.80
13	9.60	10.70	12.60
14	10.40	11.50	13.40
15	11.20	12.30	14.20

DW05 - W S x x xx R x W  
① ② ③ ④ ⑤ ⑥ ⑦

- ① Series No.
- ② Category: W: wafer
- ③ Welding Board Angle&Way: S: SMT, 90°
- ④ Material: E: LCP M: PA46 94V-0
- ⑤ Planting Category: 0:Gold Flash 1:3u" 2:5u" 3:10u" 4:15u" 5:30u" 6:50u" B:Bright tin plating 70-120u" M:MATTE Tin plating H:High temperature Tin
- ⑥ Row No.-Pin No.: xx: 02P~15P
- ⑦ H:Halogen Free L:Lead Free

**DST-conn Tech. Co., Ltd.**

COPYRIGHT RESERVED, PLEASE DO NOT COPY.

PART NAME	0.80mm Crimp Style Connectors	DRAWING	Winky	DWG. No.	DW05	
PART NO.	DW05-WSxxxxRxW	CHECK	Roy	REV.	A	
UNIT : mm	TOLERANCE UNLESS OTHERWISE SPECIFIED	X. X ±0.30	APPROVAL	John	DATE	2015. 04. 16
		X. XX ±0.20				
		X. XXX ±0.10	SCALE	1:1	PAGE	1 OF 1