

F

E

D

C

B

A

RoHS Compliant
Halogen Free

SYMBOL

REV.

REVISION

APPROVAL

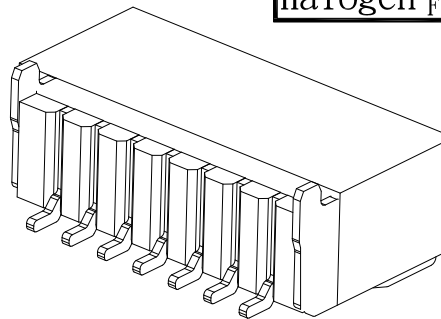
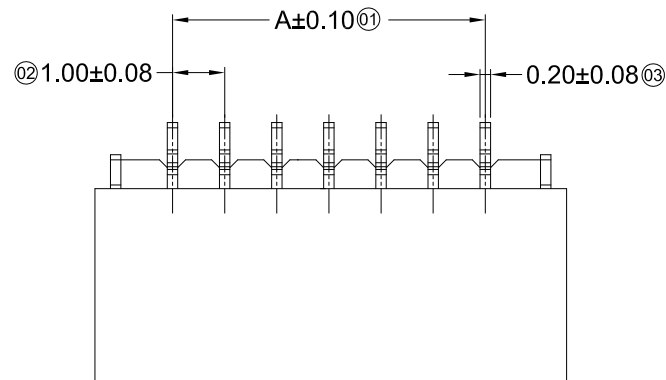
DATE

A

新版圖紙

Winky

2015. 04. 27



Specifications :

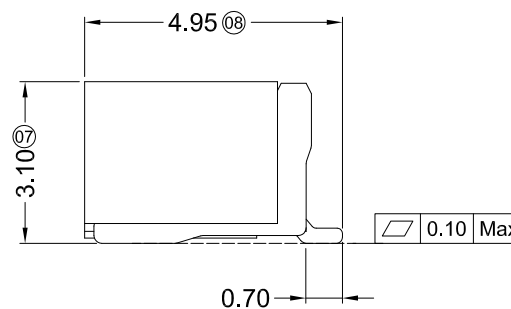
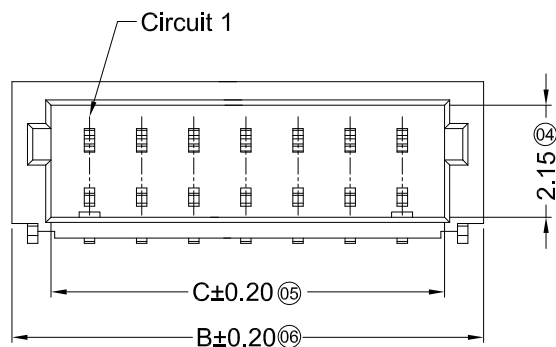
- Voltage rating: 50V AC / DC
- Current rating: 1A AC / DC
- Withstanding voltage: 500V AC/minute
- Temperature range: -25°C~+85°C
- Insulation resistance: ≥100MΩ
- Contact resistance: ≤20mΩ
- After environmental testing: ≤40mΩ

1

1

2

2



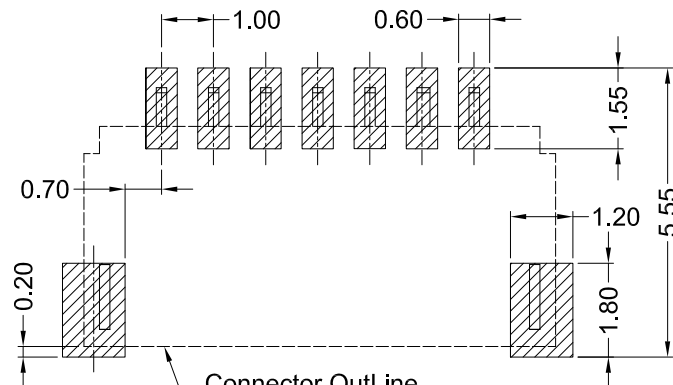
DW08 - W S E x xx R x W

① ② ③ ④ ⑤ ⑥ ⑦

- ① Series No.
- ② Category: W: wafer
- ③ Welding Board Angle&Way: S: SMT ,Right Angle 90°
- ④ Material: E: LCP 94V-0
- ⑤ Planting Category: M: MATTE Tin plating
0: Gold Flash
- ⑥ Row No.-Pin No.: xx: 02P~20P
- ⑦ H:Halogen Free L:Lead Free

3

3



Recommended P.C.B Layout
General Tolerance±0.05

Poles	Dimensions(mm)			Poles	Dimensions(mm)		
	A	B	C		A	B	C
02	1.00	4.00	2.50	10	9.00	12.00	10.50
03	2.00	5.00	3.50	11	10.00	13.00	11.50
04	3.00	6.00	4.50	12	11.00	14.00	12.50
05	4.00	7.00	5.50	13	12.00	15.00	13.50
06	5.00	8.00	6.50	14	13.00	16.00	14.50
07	6.00	9.00	7.50	15	14.00	17.00	15.50
08	7.00	10.00	8.50	16	15.00	18.00	16.50
09	8.00	11.00	9.50	20	19.00	22.00	20.50

DW08-WSE0xxRLW	LCP UL 94V-0	Phosphor Bronze	Gold Flash	DW08-H
DW08-WSEMxxRHW	LCP UL 94V-0 Halogen Free		MATTE Tin Plating	
DW08-WSEMxxRLW	LCP UL 94V-0			
PART NO	Material	Material(Pin And Solder Tabs)	Finish(Pin And Solder Tabs)	Mates With Housing

4

4

DST-conn Tech. Co., Ltd.

COPYRIGHT RESERVED, PLEASE DO NOT COPY.

PART NAME	1.00 mm Crimp Style Connectors		DRAWING	Winky	DWG. No.	DW08	
PART NO.	DW08-WSExxxRxW		CHECK	Roy	REV.	A	
UNIT : mm	TOLERANCE UNLESS OTHERWISE SPECIFIED	X. X ±0.30 X. XX ±0.20 X. XXX ±0.10	ANGLE	APPROVAL	John	DATE	2015. 04. 27
			±2°	SCALE	1:1	PAGE	1 OF 1

F

E

D

C

B

A