

F

E

D

C

B

A

RoHS Compliant

SYMBOL

REV.

REVISION

APPROVAL

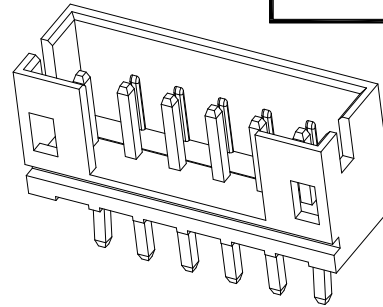
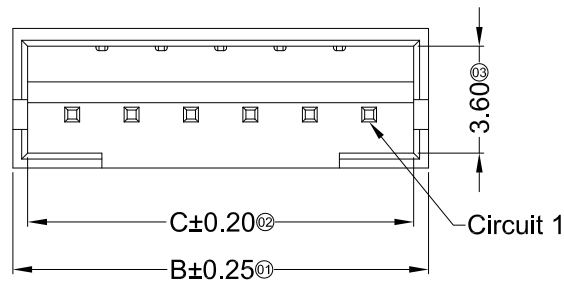
DATE

A

新版圖紙

Winky

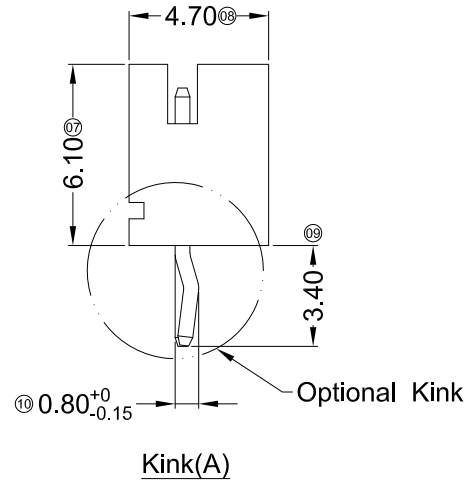
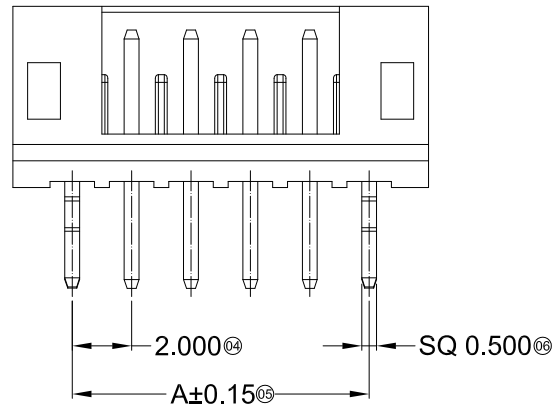
2014.06.18



Specifications :

- Voltage rating: 100V AC / DC
- Current rating: 2A AC / DC
- Withstanding voltage: 800V AC/minute
- Temperature range: -25°C~+85°C
- Insulation resistance: ≥1000MΩ
- Contact resistance: ≤10mΩ
- After environmental testing: ≤20mΩ

DW25 - W V x x xx GLW x x
 ① ② ③ ④ ⑤ ⑥ ⑦ ⑧



① Series No.

② Category: W: wafer

③ Welding Board Angle&Way: V: DIP, 180°

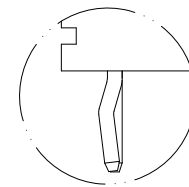
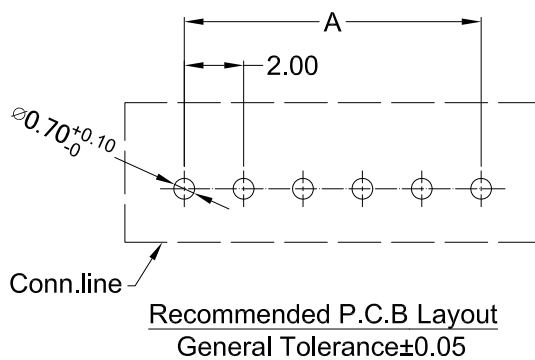
④ Material: M: PA46 94V-0 I: PA66 94V-0

⑤ Planting Category: B: Bright tin plating 0: Gold Flash

⑥ Row No.-Pin No.: xx: 02P~20P

⑦ N:Natural Color G:Gray

⑧ A:Kink B:Reverse Kink



Reverse Kink(B)

Poles	Dimensions (mm)			Poles	Dimensions (mm)			Poles	Dimensions (mm)		
	A	B	C		A	B	C		A	B	C
02	2.00	6.00	5.00	09	16.00	20.00	19.00	16	30.00	34.00	33.00
03	4.00	8.00	7.00	10	18.00	22.00	21.00	17	32.00	36.00	35.00
04	6.00	10.00	9.00	11	20.00	24.00	23.00	18	34.00	38.00	37.00
05	8.00	12.00	11.00	12	22.00	26.00	25.00	19	36.00	40.00	39.00
06	10.00	14.00	13.00	13	24.00	28.00	27.00	20	38.00	42.00	41.00
07	12.00	16.00	15.00	14	26.00	30.00	29.00				
08	14.00	18.00	17.00	15	28.00	32.00	31.00				

DW25-WVMBxxGLWx	PA46 UL 94V-0 Gray	Brass	Tin-Plated	DW07-H
DW25-WV10xxGLWNx	PA66 UL 94V-0		Gold-Flash	
DW25-WV1BxxGLWNx			Tin-Plated	
PART NO	Material	Material(Pin)	Finish(Pin)	Mates With Housing

DST-conn Tech. Co., Ltd.

COPYRIGHT RESERVED, PLEASE DO NOT COPY.

PART NAME	2.00 mm Crimp Style Connectors		DRAWING	Winky		DWG. No.	DW25	
PART NO.	DW25-WVxxxxGLWxx		CHECK	Roy		REV.	A	
UNIT : mm	TOLERANCE UNLESS	X.X ±0.30	ANGLE	APPROVAL		DATE	2014.06.18	
	OTHERWISE SPECIFIED	X.XX ±0.20 X.XXX ±0.10		SCALE		1:1	PAGE	1 OF 1

F

E

D

C

B

A