

F

E

D

C

B

A

RoHS Compliant
Halogen Free

SYMBOL

REV.

REVISION

APPROVAL

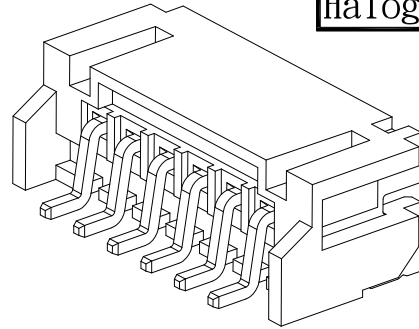
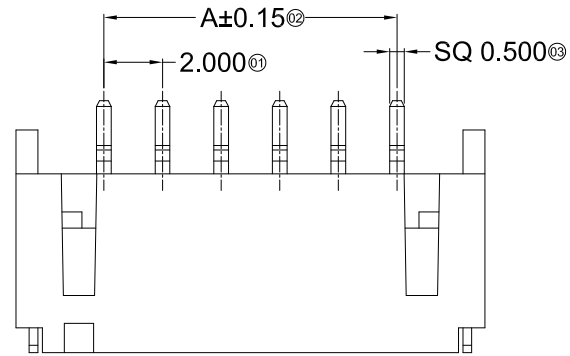
DATE

A

新版圖紙

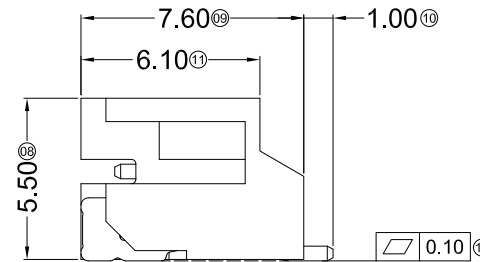
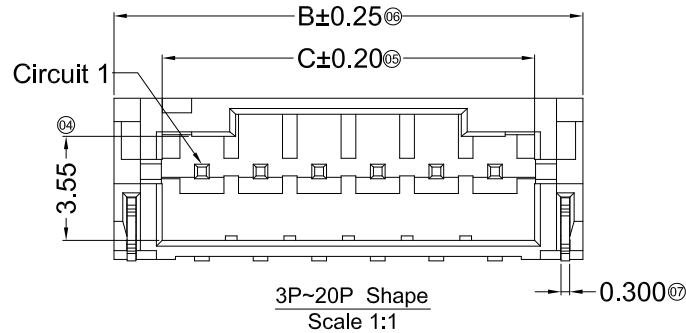
Winky

2015. 04. 27



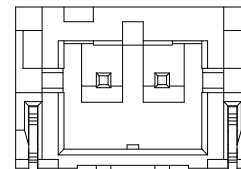
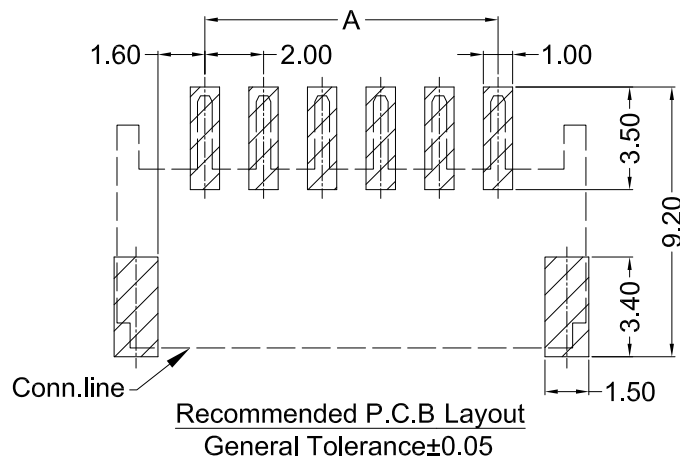
Specifications :

- Voltage rating: 100V AC / DC
- Current rating: 2A AC / DC
- Withstanding voltage: 800V AC/minute
- Temperature range: -25°C~+85°C
- Insulation resistance: ≥1000MΩ
- Contact resistance: ≤10mΩ
- After environmental testing: ≤20mΩ



DW27 - W S x x xx R x W x
① ② ③ ④ ⑤ ⑥ ⑦ ⑧

- ① Series No.
- ② Category: W: wafer
- ③ Welding Board Angle&Way: S: SMT ,Right Angle 90°
- ④ Material: D:PA9T 94V-0 E:LCP 94V-0
- ⑤ Planting Category: M-Matte Tin Plating 4:Gold 15u"
- ⑥ Row No.-Pin No.: xx: 02P~20P
- ⑦ H:Halogen Free L:Lead Free
- ⑧ Color : N:Natural Color B:Black



Poles			Dimensions (mm)			Poles			Dimensions (mm)			Poles			Dimensions (mm)		
A	B	C	A	B	C	A	B	C	A	B	C	A	B	C	A	B	C
02	2.00	8.00	4.70	09	16.00	22.00	18.70	16	30.00	36.00	32.70						
03	4.00	10.00	6.70	10	18.00	24.00	20.70	17	32.00	38.00	34.70						
04	6.00	12.00	8.70	11	20.00	26.00	22.70	18	34.00	40.00	36.70						
05	8.00	14.00	10.70	12	22.00	28.00	24.70	19	36.00	42.00	38.70						
06	10.00	16.00	12.70	13	24.00	30.00	26.70	20	38.00	44.00	40.70						
07	12.00	18.00	14.70	14	26.00	32.00	28.70										
08	14.00	20.00	16.70	15	28.00	34.00	30.70										

DW27-WSEMxxRHWN	LCP UL 94V-0 Halogen Free	Brass	Matte Tin-Plated	Brass	Matte Tin-Plated	DW07-H
DW27-WSEMxxRLWN	LCP UL 94V-0		Matte Tin-Plated			
DW27-WSD4xxRLWB	PA9T UL 94V-0 Black		Gold15u"			
DW27-WSDMxxRLWN	PA9T UL 94V-0		Matte Tin-Plated			
PART NO	Material	Material(Pin)	Finish(Pin)	Material (Solder Tabs)	Finish (Solder Tabs)	Mates With Housing

DST-conn Tech. Co., Ltd.

COPYRIGHT RESERVED, PLEASE DO NOT COPY.

PART NAME	2.00mm Crimp Style Connectors		DRAWING	Winky		DWG. No.	DW27	
PART NO.	DW27-WSxxxxRxWx		CHECK	Roy		REV.	A	
UNIT :	TOLERANCE UNLESS mm OTHERWISE SPECIFIED		APPROVAL	John		DATE	2015. 04. 27	
	X. X ±0.30	ANGLE	SCALE	1:1	PAGE	1 OF 1		
	X. XX ±0.20							
	X. XXX ±0.10							

F

E

D

C

B

A