

F

E

D

C

B

A

RoHS Compliant  
Halogen Free

SYMBOL

REV.

REVISION

APPROVAL

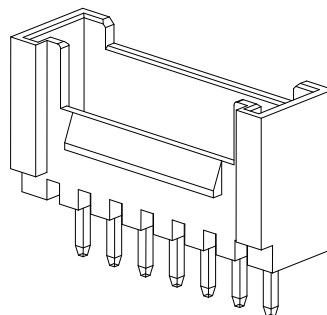
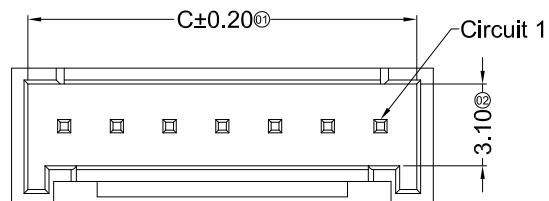
DATE

A

新版圖紙

Winky

2015. 04. 25



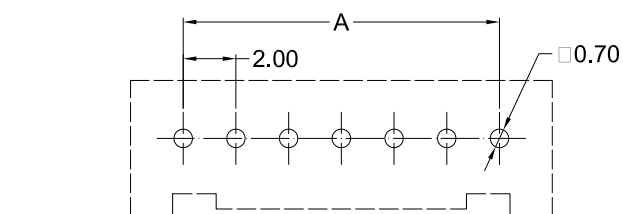
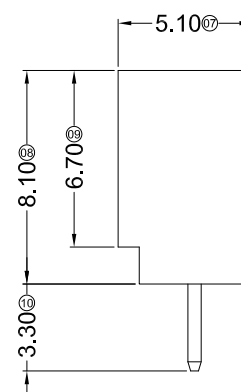
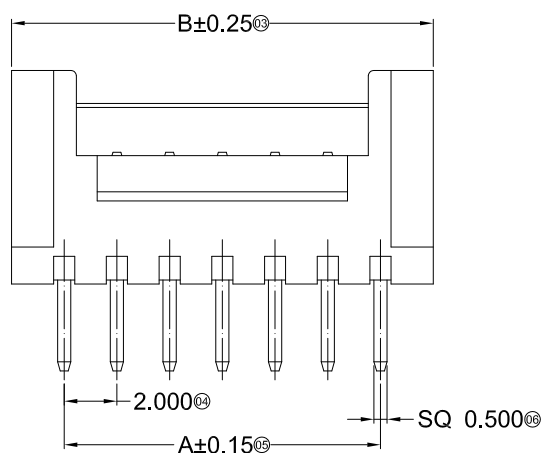
### Specifications :

- Voltage rating: 250V AC / DC
- Current rating: 3A AC / DC
- Withstanding voltage: 1000V AC/minute
- Temperature range: -25°C~+85°C
- Insulation resistance: ≥1000MΩ
- Contact resistance: ≤30mΩ
- After environmental testing: ≤40mΩ

DW31 - W V I B xx G x W

① ② ③ ④ ⑤ ⑥ ⑦

- ① Series No.
- ② Category: W: wafer
- ③ Welding Board Angle&Way: V: DIP ,180°
- ④ Material: I: PA66 94V-0
- ⑤ Planting Category: B: Bright tin plating
- ⑥ Row No.-Pin No.: xx: 02P~16P
- ⑦ H:Halogen Free L:Lead Free



Conn.line

Recommended P.C.B Layout  
General Tolerance±0.05

Poles	Dimenstons (mm)			Poles	Dimenstons (mm)		
	A	B	C		A	B	C
02	2.00	6.00	4.75	10	18.00	22.00	20.75
03	4.00	8.00	6.75	11	20.00	24.00	22.75
04	6.00	10.00	8.75	12	22.00	26.00	24.75
05	8.00	12.00	10.75	13	24.00	28.00	26.75
06	10.00	14.00	12.75	14	26.00	30.00	28.75
07	12.00	16.00	14.75	15	28.00	32.00	30.75
08	14.00	18.00	16.75	16	30.00	34.00	32.75
09	16.00	20.00	18.75				

DW31-WVIBxxGHW	PA66 UL 94V-0 Halogen Free	Brass	Tin-Plated	DW30-H
DW31-WVIBxxGLW	PA66 UL 94V-0			
PART NO	Material	Material(Pin)	Finish(Pin)	Mates With Housing

# DST-conn Tech. Co., Ltd.

COPYRIGHT RESERVED, PLEASE DO NOT COPY.

PART NAME	2.00mm Crimp Style Connector		DRAWING	Winky	DWG. No.	DW31
PART NO.	DW31-WVIBxxGxW		CHECK	Roy	REV.	A
UNIT : mm	TOLERANCE UNLESS OTHERWISE SPECIFIED	X. X ±0.30 X. XX ±0.20 X. XXX ±0.10	ANGLE	John	DATE	2015. 04. 25
			±2°	SCALE	1:1	PAGE

F

E

D

C

B

A