

F

E

D

C

B

A

RoHS Compliant

SYMBOL

REV.

REVISION

APPROVAL

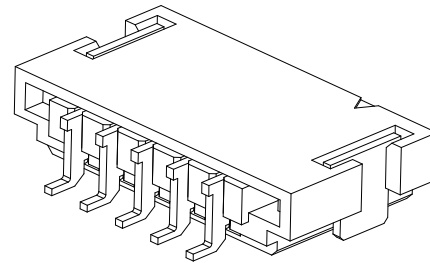
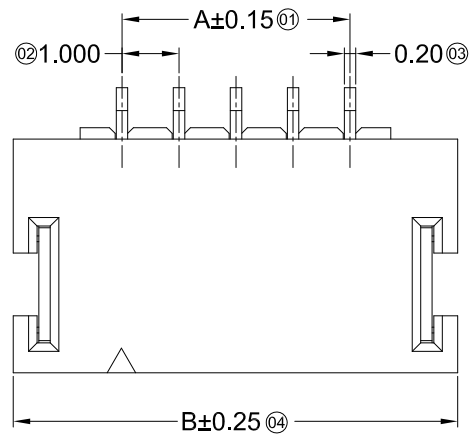
DATE

A

新版圖紙

Winky

2014. 12. 12



Specifications :

- Voltage rating: 50V AC / DC
- Current rating: 1A AC / DC
- Withstanding voltage: 500V AC/minute
- Temperature range: -25°C~+85°C
- Insulation resistance: ≥100MΩ
- Contact resistance: ≤20mΩ
- After environmental testing: ≤40mΩ

DW33 - W S x x xx RLW

① ② ③ ④ ⑤ ⑥

① Series No.

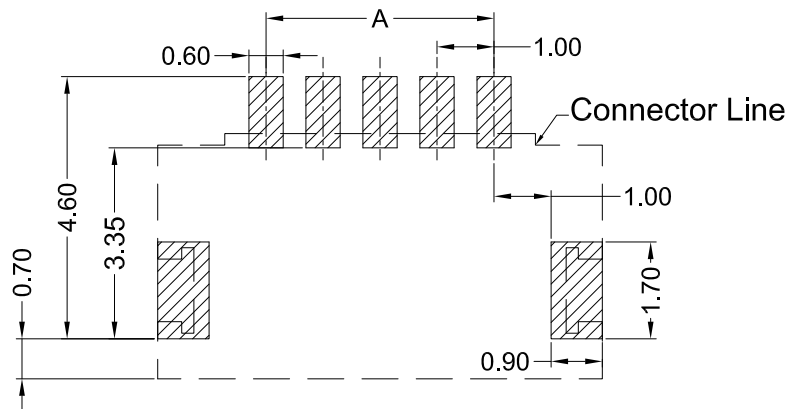
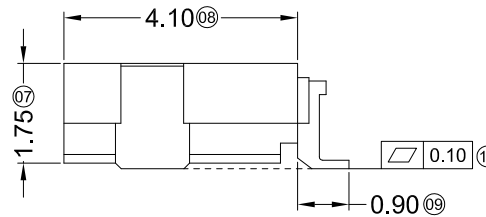
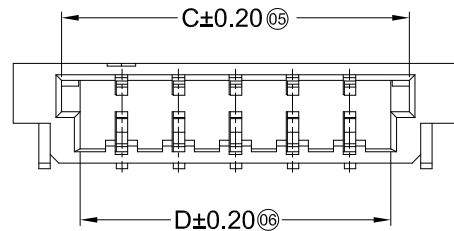
② Category: W: wafer

③ Welding Board Angle&Way: S: SMT ,Right Angle 90°

④ Material: D:PA9T 94V-0 R:HTN 94V-0 K:PA10T

⑤ Planting Category: 0:All Gold Flash M-Matte Tin plating

⑥ Row No.-Pin No.: xx: 02P~30P



Recommended P.C.B Layout
General Tolerance±0.05

Poles	Dimensions(mm)				Poles	Dimensions(mm)			
	A	B	C	D		A	B	C	D
02	1.00	4.80	3.10	2.50	17	16.00	19.80	18.10	17.50
03	2.00	5.80	4.10	3.50	18	17.00	20.80	19.10	18.50
04	3.00	6.80	5.10	4.50	19	18.00	21.80	20.10	19.50
05	4.00	7.80	6.10	5.50	20	19.00	22.80	21.10	20.50
06	5.00	8.80	7.10	6.50	21	20.00	23.80	22.10	21.50
07	6.00	9.80	8.10	7.50	22	21.00	24.80	23.10	22.50
08	7.00	10.80	9.10	8.50	23	22.00	25.80	24.10	23.50
09	8.00	11.80	10.10	9.50	24	23.00	26.80	25.10	24.50
10	9.00	12.80	11.10	10.50	25	24.00	27.80	26.10	25.50
11	10.00	13.80	12.10	11.50	26	25.00	28.80	27.10	26.50
12	11.00	14.80	13.10	12.50	27	26.00	29.80	28.10	27.50
13	12.00	15.80	14.10	13.50	28	27.00	30.80	29.10	28.50
14	13.00	16.80	15.10	14.50	29	28.00	31.80	30.10	29.50
15	14.00	17.80	16.10	15.50	30	29.00	32.80	31.10	30.50
16	15.00	18.80	17.10	16.50					

DW33-WSKMxxRLW	PA10T UL 94V-0	Phosphor Bronze	Matte Tin Plating Fog	DW33-H
DW33-WSRMxxRLW	HTN UL 94V-0		Matte Tin Plating Fog	
DW33-WSDMxxRLW	PA9T UL 94V-0		Matte Tin Plating Fog	
DW33-WSD0xxRLW	PA9T UL 94V-0		Gold-Flash	
PART NO	Material	Material(Pin And Solder Tabs)	Finish(PinAnd Solder Tabs)	Mates With Housing

DST-conn Tech. Co., Ltd.

COPYRIGHT RESERVED, PLEASE DO NOT COPY.

PART NAME	1.00mm Crimp Style Connectors	DRAWING	Winky	DWG. No.	DW33		
PART NO.	DW33-WSxxxxRLW	CHECK	Roy	REV.	A		
UNIT : mm	TOLERANCE UNLESS OTHERWISE SPECIFIED	X. X ±0.30	ANGLE ±2°	APPROVAL	John	DATE	2014. 12. 12
		X. XX ±0.20		SCALE	1:1	PAGE	1 OF 1
X. XXX ±0.10							

F

E

D

C

B

A