

F

E

D

C

B

A

RoHS Compliant

SYMBOL

REV.

REVISION

APPROVAL

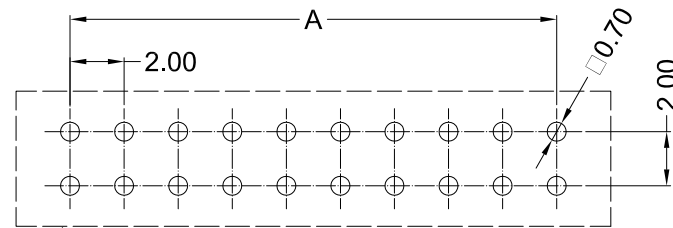
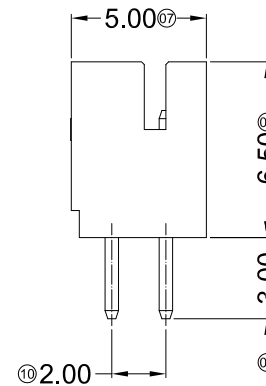
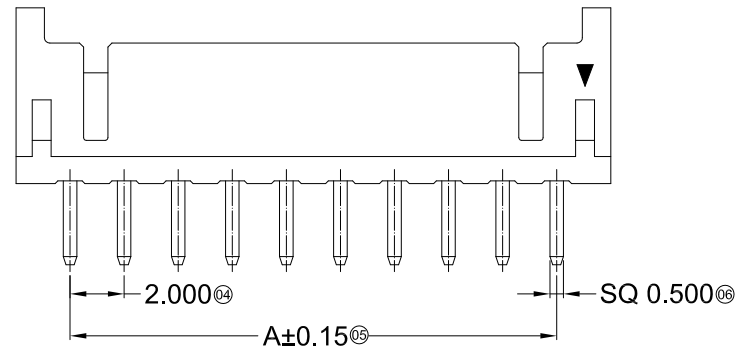
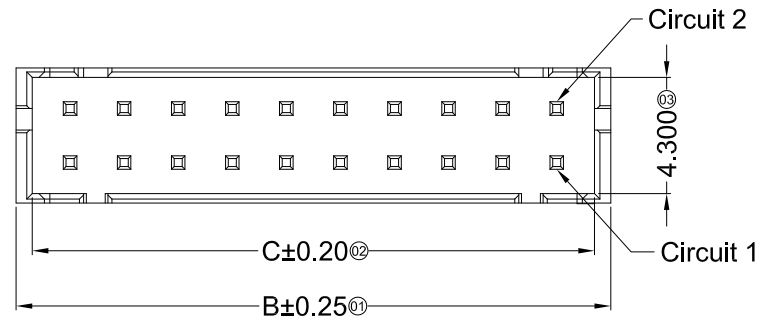
DATE

A

新版圖紙

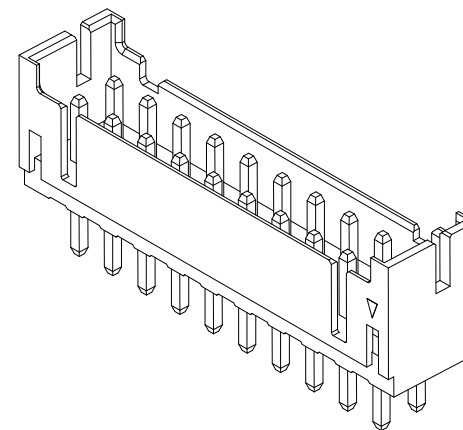
Winky

2014. 07. 02



Conn.line

Recommended P.C.B Layout
General Tolerance±0.05



Specifications :

- Voltage rating: 250V AC / DC
- Current rating: 3A AC / DC
- Withstanding voltage: 800V AC/minute
- Temperature range: -25°C~+85°C
- Insulation resistance: ≥1000MΩ
- Contact resistance: ≤10mΩ
- After environmental testing: ≤20mΩ

DW36 - W V I x xx GLW

① ② ③ ④ ⑤ ⑥

① Series No.

② Category: W: wafer

③ Welding Board Angle&Way: V: DIP ,180°

④ Material: I: PA66 94V-0

⑤ Plating Category: B: Bright Tin plating O: Gold Flash

⑥ Row No.-Pin No.: xx: 04P~44P

Poles	Dimenons (mm)			Poles	Dimenons (mm)			Poles	Dimenons (mm)		
	A	B	C		A	B	C		A	B	C
04	2.00	6.00	4.80	18	16.00	20.00	18.80	32	30.00	34.00	32.80
06	4.00	8.00	6.80	20	18.00	22.00	20.80	34	32.00	36.00	34.80
08	6.00	10.00	8.80	22	20.00	24.00	22.80	36	34.00	38.00	36.80
10	8.00	12.00	10.80	24	22.00	26.00	24.80	38	36.00	40.00	38.80
12	10.00	14.00	12.80	26	24.00	28.00	26.80	40	38.00	42.00	40.80
14	12.00	16.00	14.80	28	26.00	30.00	28.80	42	40.00	44.00	42.80
16	14.00	18.00	16.80	30	28.00	32.00	30.80	44	42.00	46.00	44.80

DW36-WVIOxxGLW	PA66 UL 94V-0	Brass	Gold-Flash	DW35-H
DW36-WVIBxxGLW			Tin-Plated	
PART NO	Material	Material(Pin)	Finish(Pin)	Mates With Housing

DST-conn Tech. Co., Ltd.

COPYRIGHT RESERVED, PLEASE DO NOT COPY.

PART NAME	2.00 mm Crimp Style Connectors	DRAWING	Winky	DWG. No.	DW36
PART NO.	DW36-WVIxxxGLW	CHECK	Roy	REV.	A
UNIT : mm	TOLERANCE UNLESS OTHERWISE SPECIFIED	X. X ±0.30	ANGLE ±2°	APPROVAL	John
		X. XX ±0.20		SCALE	1:1
		X. XXX ±0.10		PAGE	1 OF 1

F

E

D

C

B

A