

F

E

D

C

B

A

RoHS Compliant
Halogen Free

SYMBOL

REV.

REVISION

APPROVAL

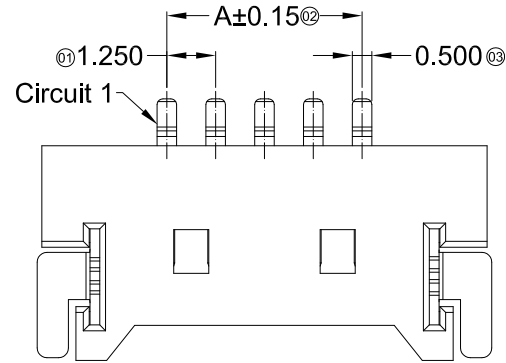
DATE

A

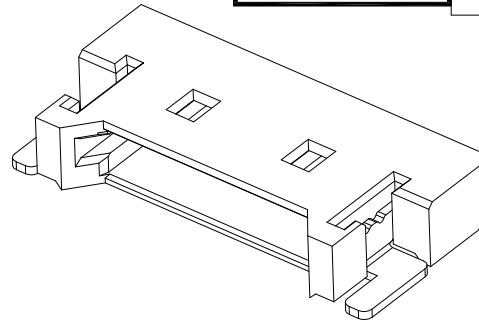
新版圖紙

Winky

2014. 09. 02



04P~30P Double Hole
Scale 1:1



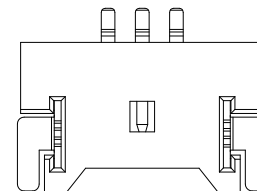
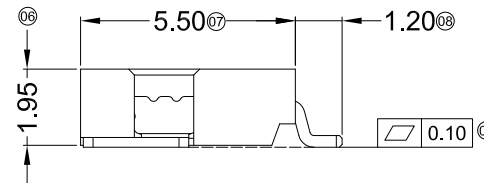
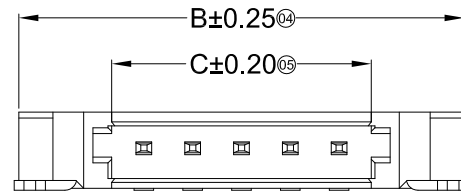
Specifications :

- Voltage rating: 125V AC / DC
- Current rating: 1A AC / DC
- Withstanding voltage: 250V AC/minute
- Temperature range: -25°C~+85°C
- Insulation resistance: ≥100MΩ
- Contact resistance: ≤20mΩ
- After environmental testing: ≤40mΩ

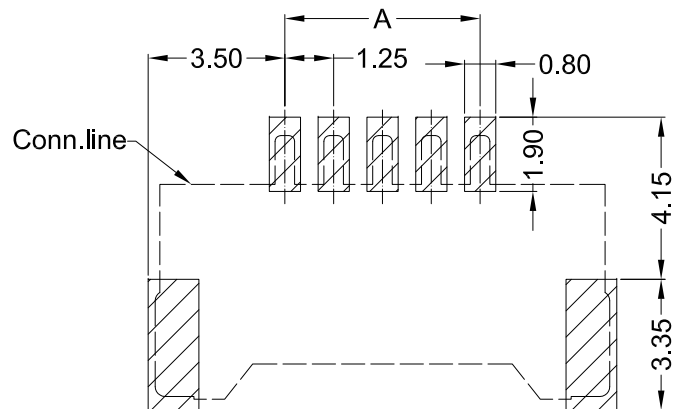
DW37 - W S x 0 xx R x W

① ② ③ ④ ⑤ ⑥ ⑦

- ① Series No.
- ② Category: W: wafer
- ③ Welding Board Angle&Way: S: SMT ,Right Angle 90°
- ④ Material: B:PA6T 94V-0 ; D:PA9T 94V-0 ; K:PA10T
- ⑤ Planting Category: 0:Gold Flash
- ⑥ Row No.-Pin No.: xx: 02P~30P
- ⑦ H:Halogen Free L:Lead Free



02P~03P Single Hole
Scale 1:0.7



Recommended P.C.B Layout
General Tolerance±0.05

Poles	Dimensions(mm)			Poles	Dimensions(mm)		
	A	B	C		A	B	C
02	1.25	7.65	2.90	10	11.25	17.65	12.90
03	2.50	8.90	4.15	11	12.50	18.90	14.15
04	3.75	10.15	5.40	12	13.75	20.15	15.40
05	5.00	11.40	6.65	13	15.00	21.40	16.65
06	6.25	12.65	7.90	14	16.25	22.65	17.90
07	7.50	13.90	9.15	15	17.50	23.90	19.15
08	8.75	15.15	10.40	20	23.75	30.15	25.40
09	10.00	16.40	11.65	30	36.25	42.65	37.90

DW37-WSD0xxRHW	PA9T UL 94V-0 (Halogen Free)	Phorphos bronze	Gold-Flash	Phorphos bronze	Gold-Flash	DW37-H
DW37-WSK0xxRLW	PA10T UL 94V-0					
DW37-WSD0xxRLW	PA6T UL 94V-0					
DW37-WSD0xxRLW	PA9T UL 94V-0					
PART NO	Material	Material(Pin)	Finish(Pin)	Material (Solder Tabs)	Finish (Solder Tabs)	Mates With Housing

DST-conn Tech. Co., Ltd.

COPYRIGHT RESERVED, PLEASE DO NOT COPY.

PART NAME	1.25mm Crimp Style Connectors		DRAWING	Winky		DWG. No.	DW37
PART NO.	DW37-WSx0xxRxW		CHECK	Roy		REV.	A
UNIT : mm	TOLERANCE UNLESS OTHERWISE SPECIFIED	X. X ±0.30 X. XX ±0.20 X. XXX ±0.10	ANGLE	John		DATE	2014. 09. 02
			±2°	SCALE	1:1		PAGE

F

E

D

C

B

A