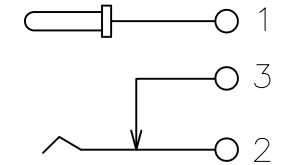
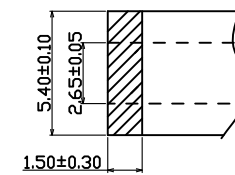
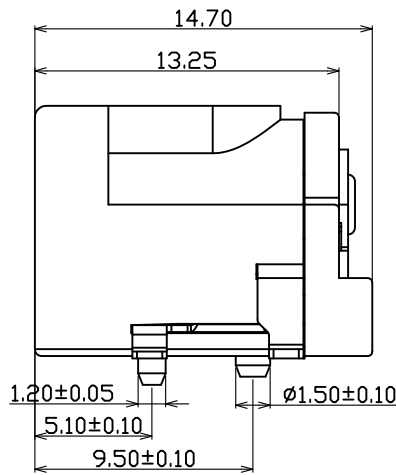
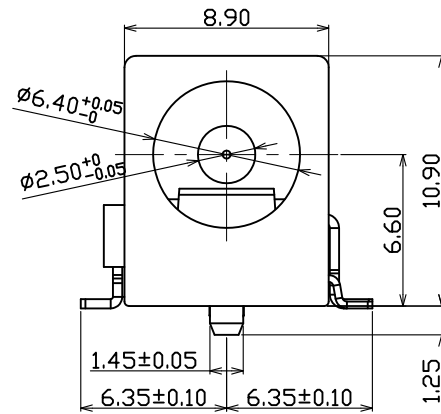
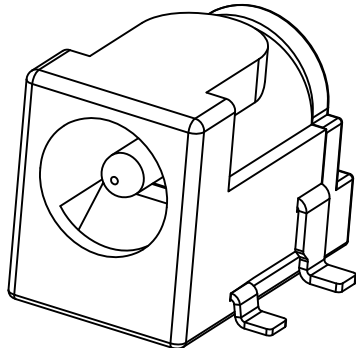


PCB LAYOUT TOP VIEW



CIRCUIT DIAGRAM



| No. | PART NAME  | QTY | MATERIAL (THICK, COLOR) | REMARK           |
|-----|------------|-----|-------------------------|------------------|
| ⑥   | COVER      | 1   | PA9T (Black)            |                  |
| ⑤   | HOUSING    | 1   | PA9T (Black)            |                  |
| ④   | PIN        | 1   | H62                     | CuSn-Plated      |
| ③   | TERMINAL 3 | 1   | BRASS $t=0.4$           | Tin flash-Plated |
| ②   | TERMINAL 2 | 1   | PHOSPHOR BRONZE $t=0.3$ | Tin flash-Plated |
| ①   | TERMINAL 1 | 1   | BRASS $t=0.4$           | Tin flash-Plated |

| Marker | Describe | Data | DSND |
|--------|----------|------|------|
|        |          |      |      |
|        |          |      |      |
|        |          |      |      |
|        |          |      |      |

|      |             |      |              |              |                         |
|------|-------------|------|--------------|--------------|-------------------------|
| DSND | SunJiaxiang | DATE | 2009. 06. 01 | SCALE: 1 : 1 | NAME:<br>DC POWER JACK  |
| CHKD |             | DATE |              | VIEW:        |                         |
| APVD |             | DATE |              | UNIT: mm     | CAT. NO.<br>OD016LD250R |

| UNSPECIFIED TOLERANCE | ≤4    | 4-16  | ≥16   | ANGULAR |
|-----------------------|-------|-------|-------|---------|
|                       | ±0.15 | ±0.20 | ±0.30 | ±5°     |

**DST**-conn Tech. Co., Ltd.

DWN. NO. Q/XL-QW-001A-0645 **B0**