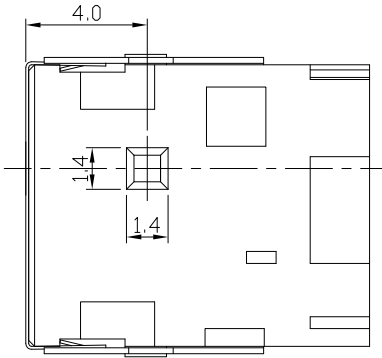


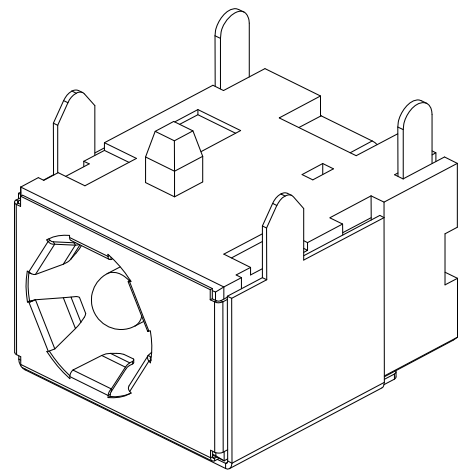
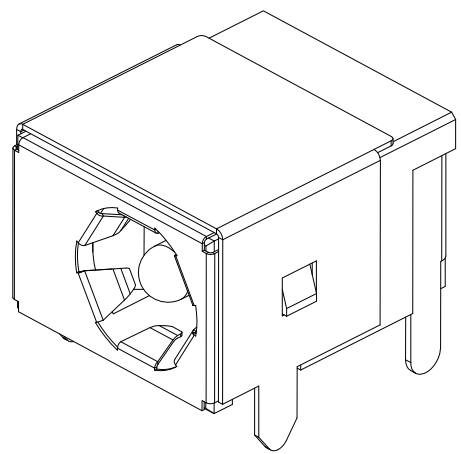
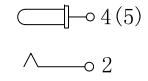
SPECIFICATION

1. Rating : DC 30V 3.0A;
2. Contact resistance: $\leq 0.03 \Omega$;
3. Insulation resistance: $\geq 100M \Omega$ (DC250V);
4. Withstand voltage: 500VAC ;
5. Insertion and extraction force: 3-20N;
6. life test: 5,000 cycles.



PIN	$\varnothing 2.0$	$\varnothing 2.5$
APPD.		✓

SCHEMATIC



NO.	DESCRIPTION	QTY	MATERIAL	PLATING
7	COVER	1	SUS301	Ni-Plating
6	CONTACT FOOT	1	BRONZE	Ag-Plating
5	PIN	1	H59 BRASS	Ni-Plating
4	CONTACT FOOT	1	BRASS	Ag-Plating
3				
2	SPRING PIECE	1	SUS301	Ag-Plating
1	HOUSING	1	PA9T	

UNIT: MM	TYPE:	MODEL NO:	PAPER NO: A4	PAGE 1 OF 1	
	DC JACK	OD069LD250G-3	TOLERANCE	ANGLES	SCALE
			± 0.15	$\pm 1.5'$	4:1
DESIGNER	Winky			VER	0
CHECK	Roy	DST-conn Tech. Co., Ltd.			
APPROVED	John				