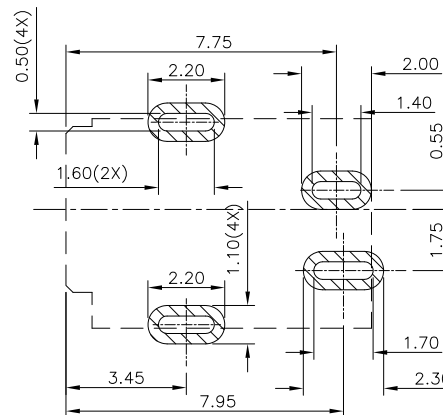
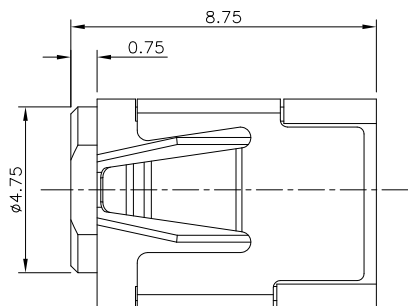
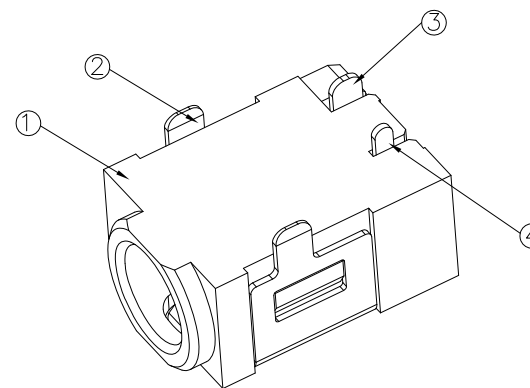


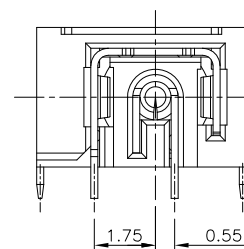
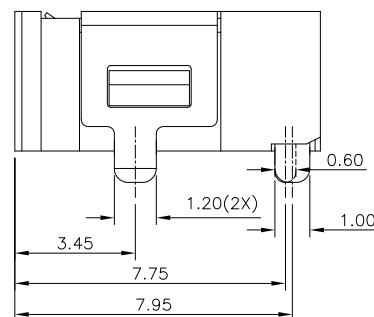
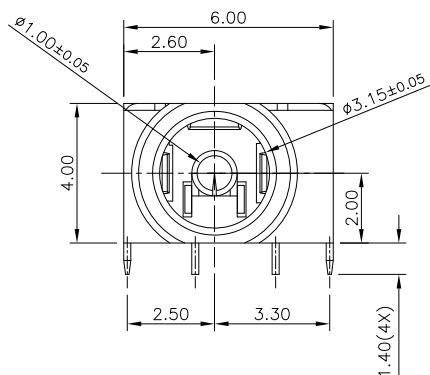
SCHMATIC



RECOMMENDED P.C.B LAYOUT  
TOP VIEW (TOLRANCE:±0.05)



3D VIEW



NOTES:

- CONTACT CURRENT RATING: 1A.
- CONTACT RESISTANCE: 50 mΩ MAX.;
- INSULATION RESISTANCE: 100MΩ MIN.;
- DIELECTRIC WITHSTANDING: 500V AC MIN.;
- DURABILITY: 5000 CYCLES MIN.;
- CONNECTOR MATING FORCES: 1.96~29.4N (0.2~3.0Kgf);
- CONNECTOR UNMATING FORCES: 1.96~29.4N (0.2~3.0Kgf);
- PRODUCT MEET THE REQUEST OF THE RoHs, SEE TABLE A:

TABLE A:

MATTER	RoHs ( PPM )
Cd	≤ 100
Pb	≤ 1000
Hg	≤ 1000
Cr6+	≤ 1000
PBB	≤ 1000
PBDE	≤ 1000

This document is the property of GETWELL development corporation.

**DST**-conn Tech. Co., Ltd.

01	HOUSING	1 PCS	HIGH TEMPERATURE PLASTIC	BLACK COLOR	UL94 V-0
02	TERMINAL A	1 PCS	PHOSPHOR BRONZE	Au PLATED	/
03	TERMINAL B	1 PCS	PHOSPHOR BRONZE	Au PLATED	
04	CENTER PIN	1 PCS	PHOSPHOR BRONZE	Au PLATED	
ITEM	PART NAME	Q'TY	MATERTAL	DESCRIPTION	

Unless otherwise specified, Tolerance:  
 X. ±0.30  
 X.x ±0.20  
 X.xx ±0.15  
 X.xxx ±0.10  
 Angles ±3°

DESIGN Winky DATE 2014.10.08  
 CHECKED Roy DATE 2014.10.09  
 APPROVED John DATE 2014.11.25  
 PART NO. OD748LR100R  
 DRAWING NO.

TITLE: ø3.15mm DC POWER JACK  
 CUSTOMER DRAWING  
 REV.: SCALE: 1:1 UNIT: mm  
 SIZE: A4 SHEET: 1/1