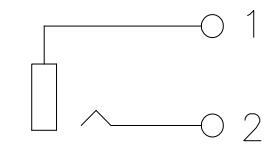
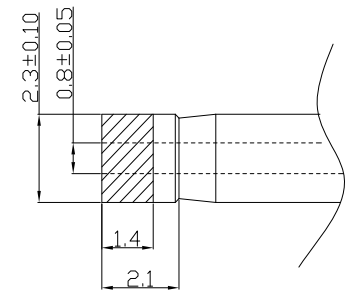
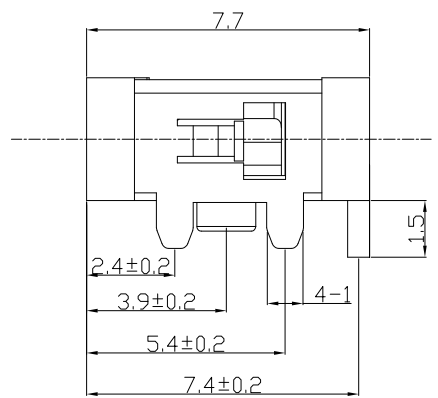
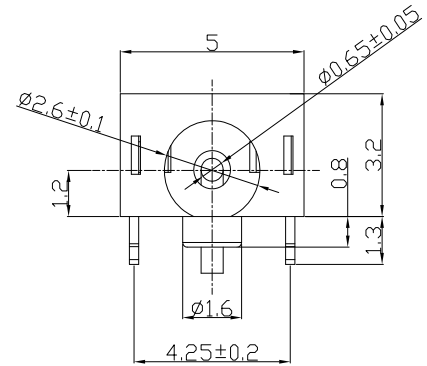
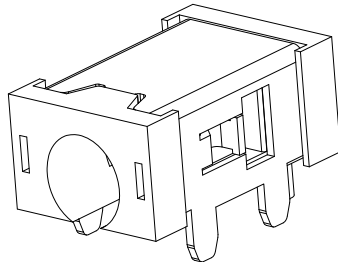


PCB LAYOUT TOP VIEW



CIRCUIT DIAGRAM



No.	PART NAME	QTY	MATERIAL (THICK, COLOR)	REMARK
Ⓒ	HOUSING	1	PA9T (Black)	
Ⓑ	TERMINAL	1	H62 ϕ=0.65	Ag-Plated
Ⓐ	TERMINAL 1	1	PHOSPHOR BRONZE τ=0.25	Ag-Plated
APVD	John	DATE	2015.03.17	UNIT: mm
CHKD	Roy	DATE	2008.11.10	VIEW:
DSND	Winky	DATE	2008.11.10	SCALE: 5 : 1
				NAME: DC POWER JACK
				CAT. NO. ODV75LD065R
				DWN. NO.
				B0

UNSPECIFIED TOLERANCE	≠4	4-16	≧16	ANGULAR
	±0.15	±0.20	±0.30	±5°

DST-conn Tech. Co., Ltd.