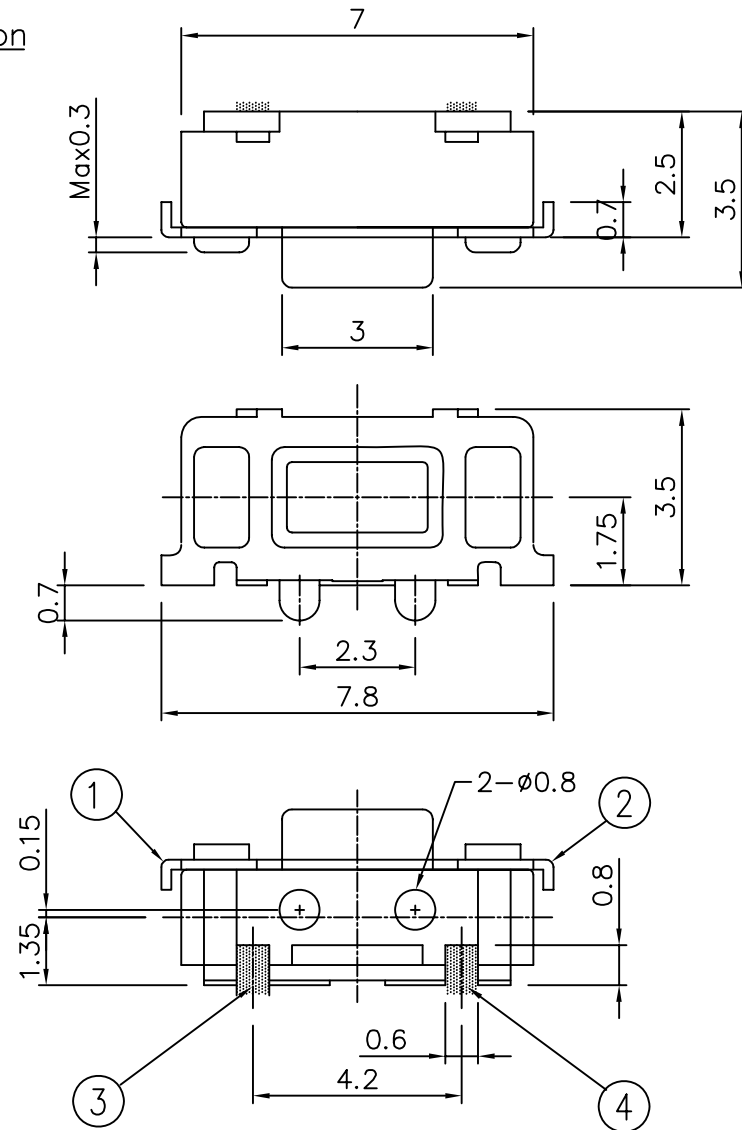
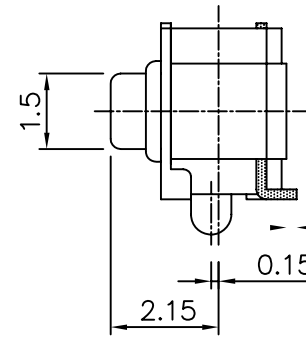
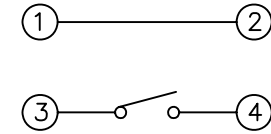


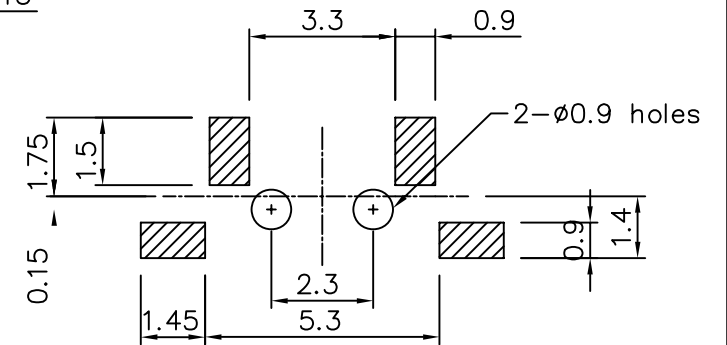
Dimension



Circuit diagram



P.C.B Mounting pattern Dimension (scale: N/S)



Basic Dimensions	Tolerances					Description	Material	Specification	Treatment	Qt'y	Remark
Up To 10	±0.3					Designed	Winky	Unit mm	Scale 1:1		Angle
Above 10 To 100	±0.5					Checked	Roy	Title Tact switch		Model name SW2xxSG204R	
Above 100	±0.8					Appr.ed	John				
Angular Dimensions	±3°	Rev.Mark	Revision note	Design	Appr.	DST-conn Tech .Co.,Ltd					