

RoHS Compliant

SYMBOL

REV.

REVISION

APPROVAL

DATE

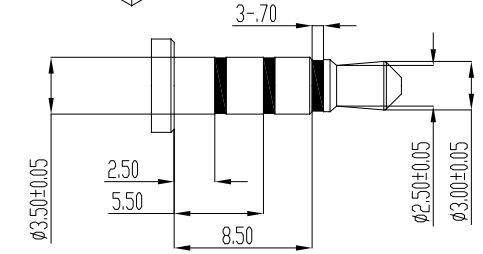
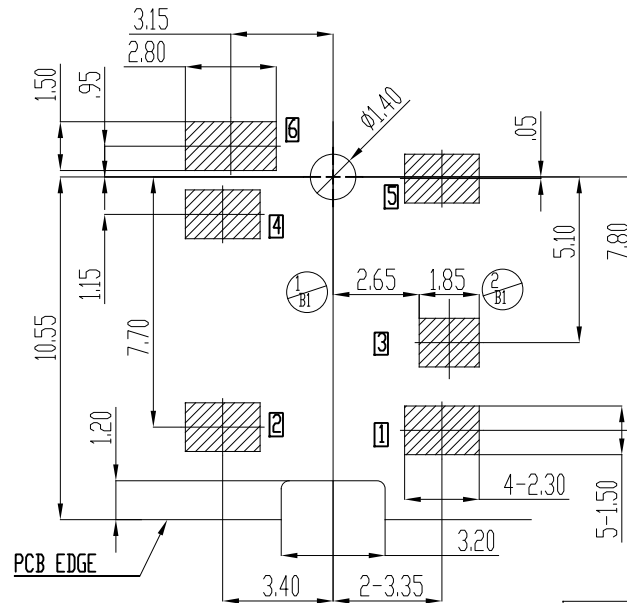
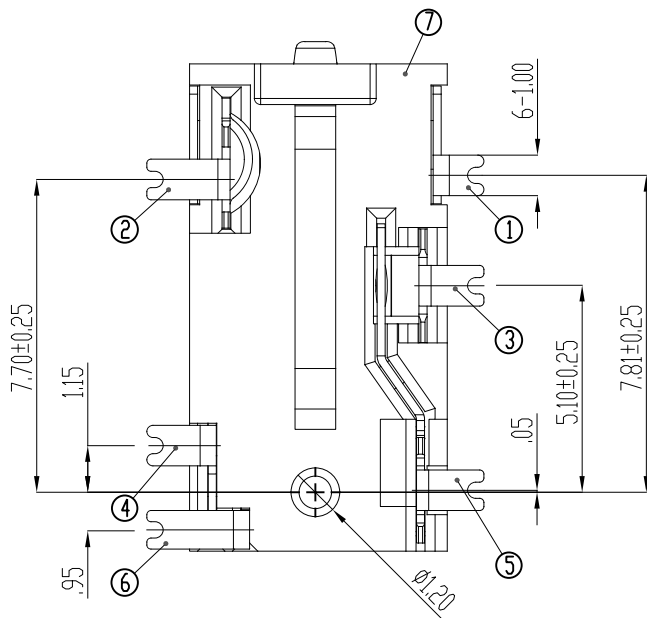
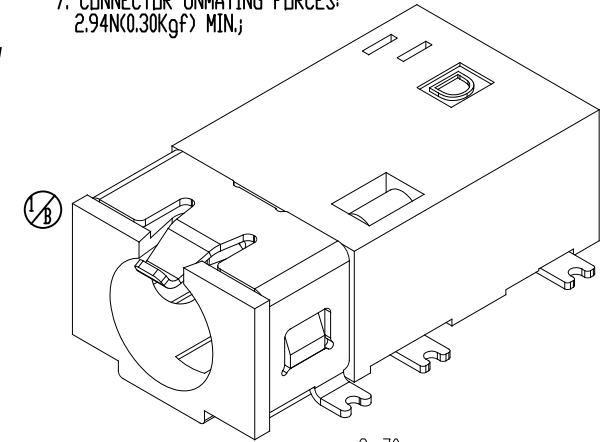
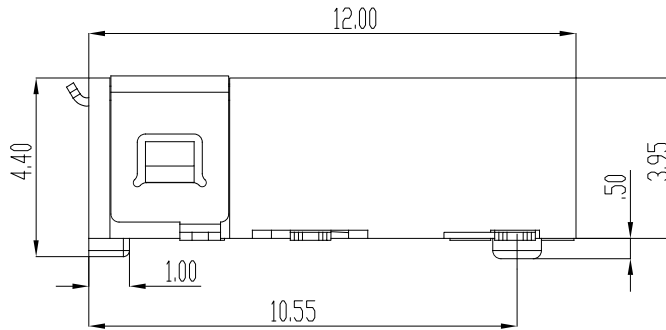
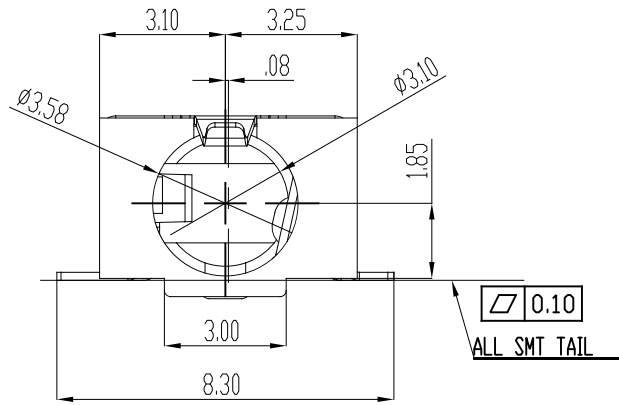
A

新版圖紙

Winky

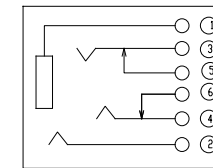
2012.09.25

- NOTES:
 1. CONTACT CURRENT RATING: 12V 1A;
 2. CONTACT RESISTANCE: 50 mΩ MAX.;
 3. INSULATION RESISTANCE: 100MΩ MIN.;
 4. DIELECTRIC WITHSTANDING: 500V AC MIN.;
 5. DURABILITY: 5,000 CYCLES MIN.;
 6. CONNECTOR MATING FORCES:
 29.4N (3.00Kgf) MAX.;
 7. CONNECTOR UNMATING FORCES:
 2.94N(0.30Kgf) MIN.;



Ø 3.50mm 4 POLE PLUG
 DETAIL DRAWING(2/1)

RECOMMENDED PCB LAYOUT(TOP VIEW)
 (GENERAL TOLERANCE ± 0.05)



SCHEMATIC

NO.	DESCRIPTION	MAT.L	COLOR	REMARK
7	HOUSING	PPA	BLACK	
6	TERMINAL 6	COPPER ALLOY		Au 1u" PLATED
5	TERMINAL 5	COPPER ALLOY		Au 1u" PLATED
4	TERMINAL 4	COPPER ALLOY		Au 1u" PLATED
3	TERMINAL 3	COPPER ALLOY		Au 1u" PLATED
2	TERMINAL 2	COPPER ALLOY		Au 1u" PLATED
1	TERMINAL 1	COPPER ALLOY		Au 1u" PLATED

DST-conn Tech. Co., Ltd.

COPYRIGHT RESERVED, PLEASE DO NOT COPY.

PART NAME	Ø3.50 mm PHONE JACK CONNECTOR	DRAWING	Winky	DWG. No.	/
PART NO.	DA01-303B-06G1RZL2	CHECK	Roy	REV.	A
UNIT : mm	TOLERANCE UNLESS OTHERWISE SPECIFIED	APPROVAL	John	DATE	2012.09.25
	X.X ±0.30 X.XX ±0.20 X.XXX ±0.10	SCALE	1:1	PAGE	1 OF 1
	ANGLE ±2°				