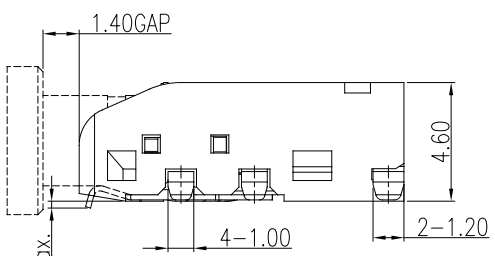
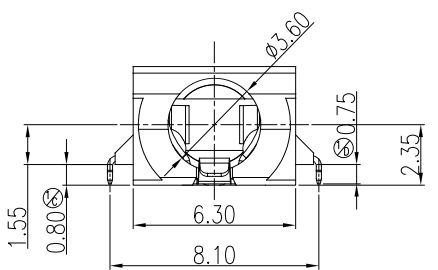
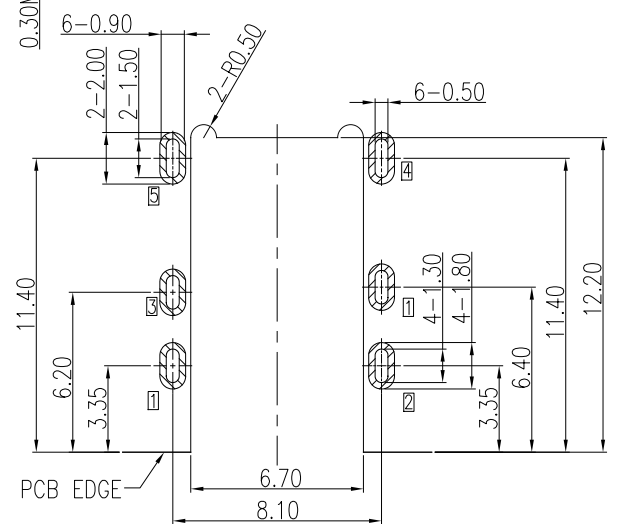
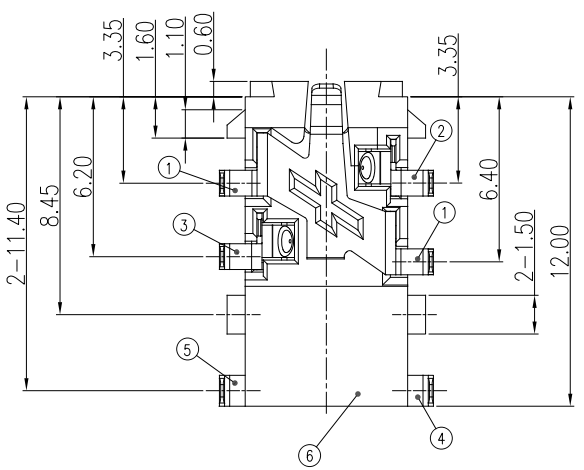


RoHS Compliant

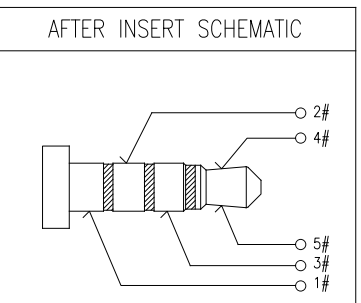
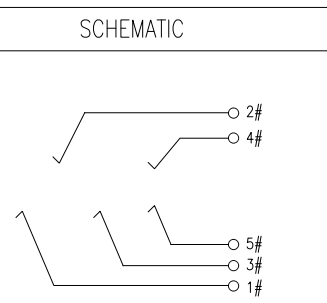
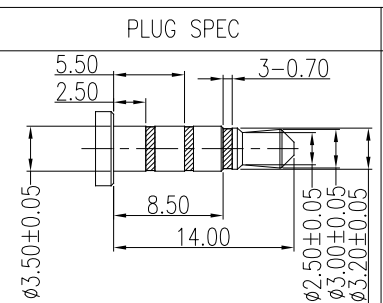
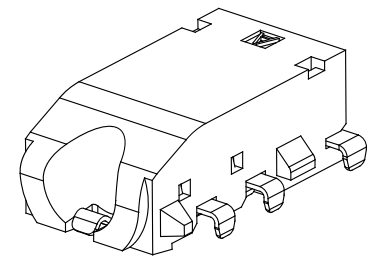
SYMBOL	REV.	REVISION	APPROVAL	DATE
	A	新版圖紙	Winky	2008.12.06



Note:
 1.Contact Current Rating: 12V 1A.
 2.Contact Resistance: 50mΩ MAX.
 3.Insulation Resistnace: 100MΩ Min.500V DC.
 4.Dielectric Withstandeing: 500V AC Min.
 5.Durability: 5000 Cycles Min.
 6.Connector Mating Forces: 29.4N(3.00Kgf) MAX.
 7.Connector Unmating Forces: 2.94N(0.30Kgf) Min.
 8.The Product Machine With A GAP That:The Finished Machine With Socket Before/Up/Down/Left/Right Side Of 5,Protection GAP First Proposed,The Desing OF 0.15mm.



RECOMMENDED PCB LAYOUT(TOP VIEW)
 (GENERAL TOLERANCE:±0.05)



NO.	DESCRIPTION	MATERIAL	COLOR	REMARK
6	HOUSING	PPA	BLACK	
5	TERMINAL 5	COPPER ALLOY		Au PLATED
4	TERMINAL 4	COPPER ALLOY		Au PLATED
3	TERMINAL 3	COPPER ALLOY		Au PLATED
2	TERMINAL 2	COPPER ALLOY		Au PLATED
1	TERMINAL 1	COPPER ALLOY		Au PLATED

DST-conn Tech. Co., Ltd.

COPYRIGHT RESERVED, PLEASE DO NOT COPY.

PART NAME	Ø3.50 mm PHONE JACK CONNECTOR	DRAWING	Winky	DWG. No.	/
PART NO.	DA02-301R-05G12ZL2	CHECK	Roy	REV.	A
UNIT : mm	TOLERANCE UNLESS OTHERWISE SPECIFIED	APPROVAL	John	DATE	2008.12.06
	X.X ±0.30 X.XX ±0.20 X.XXX ±0.10	SCALE	1:1	PAGE	1 OF 2
	ANGLE ±2°				