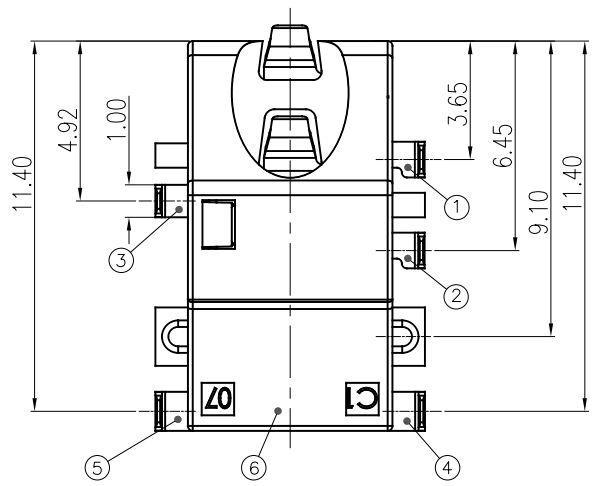
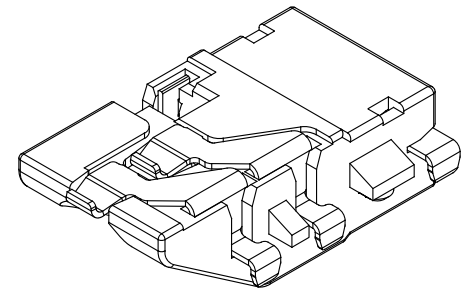
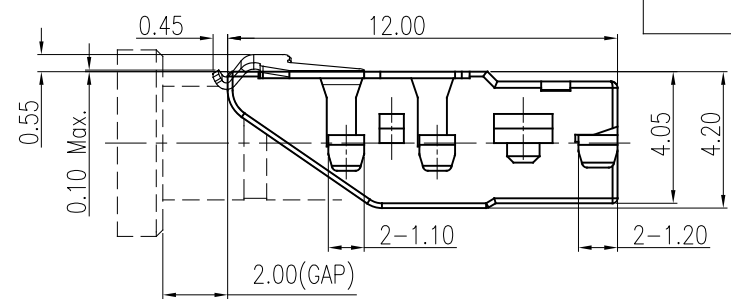
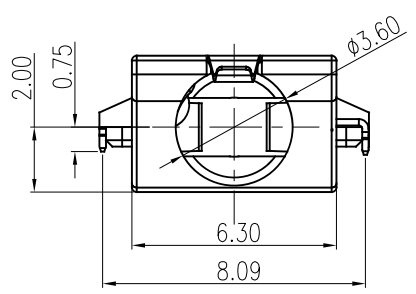
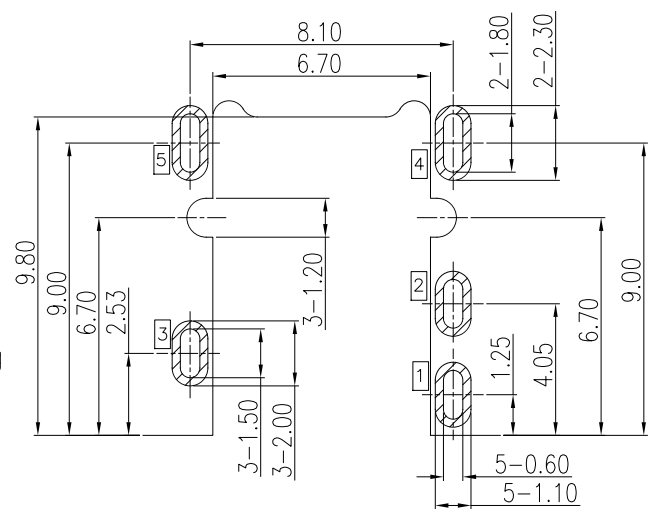


RoHS Compliant

SYMBOL	REV.	REVISION	APPROVAL	DATE
	A	新版圖紙	Winky	2012.07.28



Note:  
 1.Contact Current Rating: 12V 1A.  
 2.Contact Resistance: 50mΩ MAX.  
 3.Insulation Resistnace: 100MΩ Min.500V DC.  
 4.Dielectric Withstandeing: 500V AC Min.  
 5.Durability: 5000 Cycles Min.  
 6.Connector Mating Forces: 29.4N(3.00Kgf) MAX.  
 7.Connector Unmating Forces: 2.94N(0.30Kgf) Min.  
 8.The Product Machine With A GAP That:The Finished Machine With Socket Before/Up/Down/Left/Right Side Of 5,Protection GAP First Proposed,The Desing OF 0.15mm.

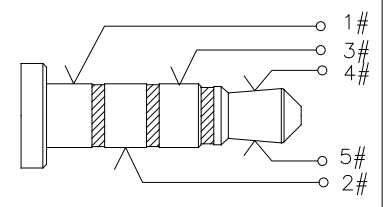
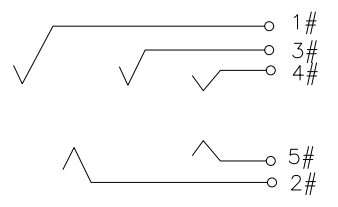
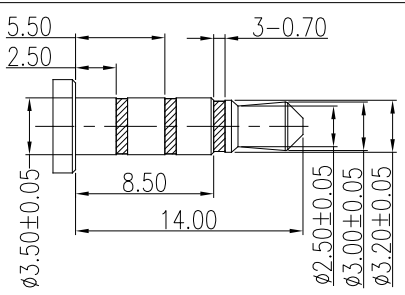


RECOMMENDED PCB LAYOUT(TOP VIEW)  
 (GENERAL TOLERANCE±0.05)

PLUG SPEC

SCHEMATIC

AFTER INSERT SCHEMATIC



6	HOUSING	PPA	BLACK	
5	TERMINAL 5	COPPER ALLOY		Au PLATED
4	TERMINAL 4	COPPER ALLOY		Au PLATED
3	TERMINAL 3	COPPER ALLOY		Au PLATED
2	TERMINAL 2	COPPER ALLOY		Au PLATED
1	TERMINAL 1	COPPER ALLOY		Au PLATED
NO.	DESCRIPTION	MATERIAL	COLOR	REMARK

**DST**-conn Tech. Co., Ltd.

COPYRIGHT RESERVED, PLEASE DO NOT COPY.

PART NAME		Ø3.50mm PHONE JACK CONN.		DRAWING		Winky		DWG. No.		/	
PART NO.		DA02-301R-05GA6ZL2		CHECK		Roy		REV.		A	
UNIT : mm	TOLERANCE UNLESS OTHERWISE SPECIFIED		X.X ±0.30	ANGLE ±2°	APPROVAL		John		DATE		2012.07.28
			X.XX ±0.20		SCALE		1:1		PAGE		1 OF 2
		X.XXX ±0.10									