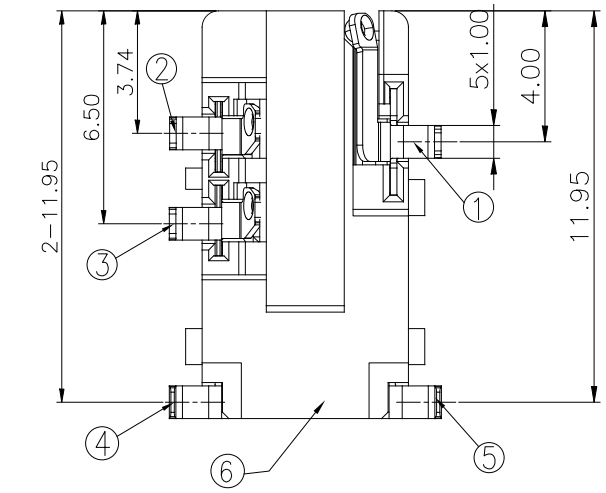
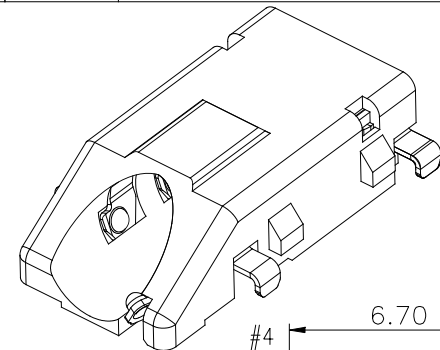
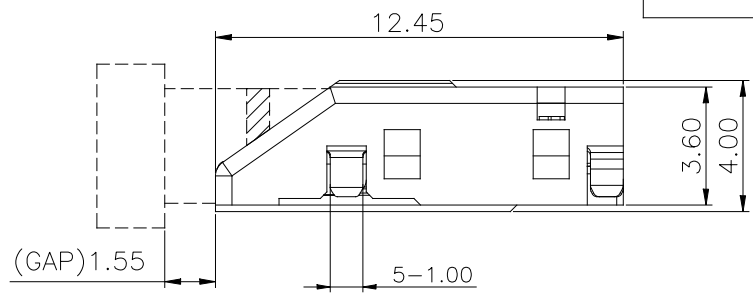
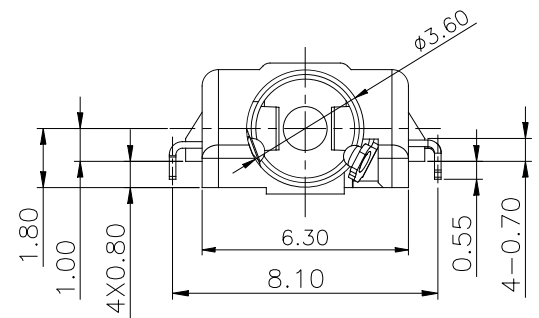
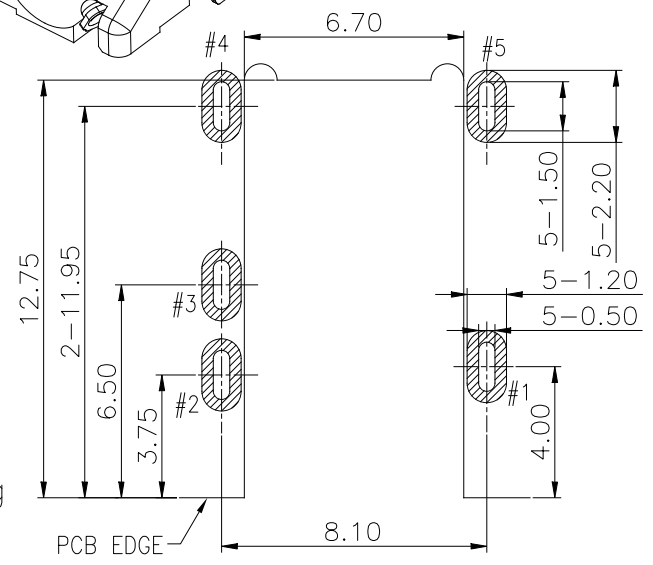


RoHS Compliant

SYMBOL	REV.	REVISION	APPROVAL	DATE
	A	新版圖紙	Winky	2013.01.09



Note:  
 1.Contact Current Rating: 12V 1A.  
 2.Contact Resistance: 50mΩ MAX.  
 3.Insulation Resistnace: 100MΩ Min.500V DC.  
 4.Dielectric Withstandeing: 500V AC Min.  
 5.Durability: 5000 Cycles Min.  
 6.Connector Mating Forces: 29.4N(3.00Kg) MAX.  
 7.Connector Unmating Forces: 2.94N(0.30Kg) Min.  
 8.The Product Machine With A GAP That:The Finished Machine With Socket Before/Up/Down/Left/Right Side Of 5,Protection GAP First Proposed,The Desing OF 0.15mm.



RECOMMEND FPC LAYOUT(TOP VIEW)  
 TOLERANCE:±0.05

PLUG SPEC	SCHEMATIC	AFTER INSERT SCHEMATIC

NO.	DESCRIPTION	MATERIAL	COLOR	REMARK
6	HOUSING	PPA	BLACK	
5	TERMINAL 5#	COPPER ALLOY		Au PLATED
4	TERMINAL 4#	COPPER ALLOY		Au PLATED
3	TERMINAL 3#	COPPER ALLOY		Au PLATED
2	TERMINAL 2#	COPPER ALLOY		Au PLATED
1	TERMINAL 1#	COPPER ALLOY		Au PLATED

**DST-conn Tech. Co., Ltd.**

PART NAME	Ø3.50 mm PHONE JACK CONN		DRAWING	Winky	DWG. No.	/
PART NO.	DA02-312R-05GA2ZL2		CHECK	Roy	REV.	A
	UNIT :	TOLERANCE UNLESS OTHERWISE SPECIFIED	APPROVAL	John	DATE	2013.01.09
	mm	X.X ±0.30 X.XX ±0.20 X.XXX ±0.10	SCALE	1:1	PAGE	1 OF 1

COPYRIGHT RESERVED, PLEASE DO NOT COPY.