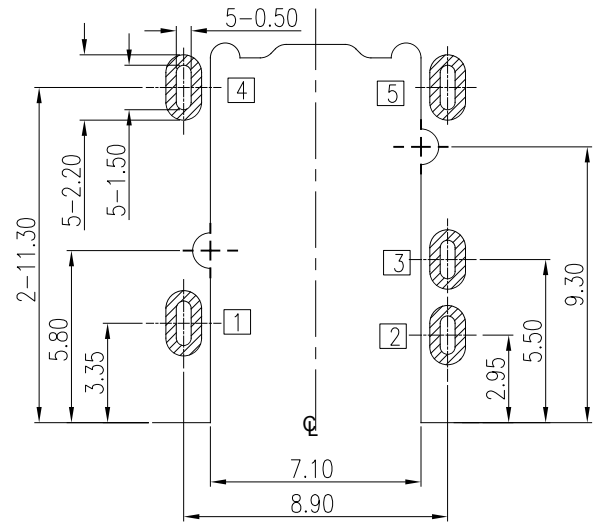
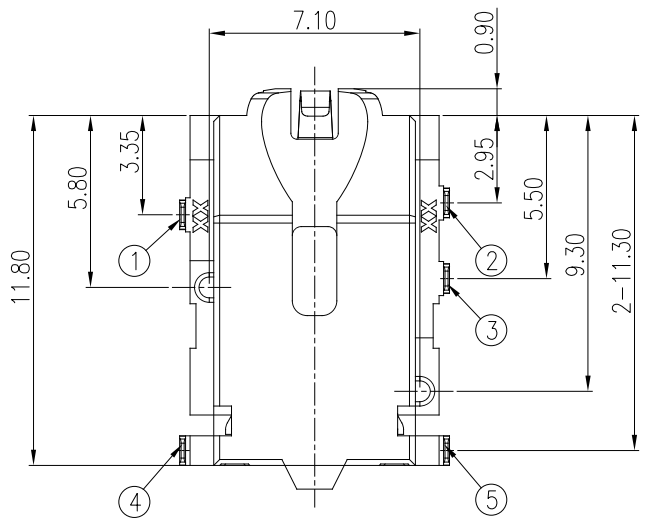
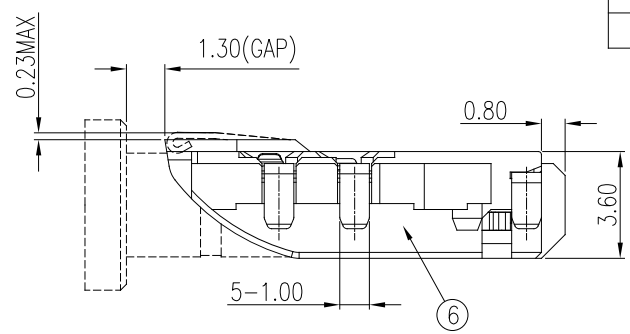
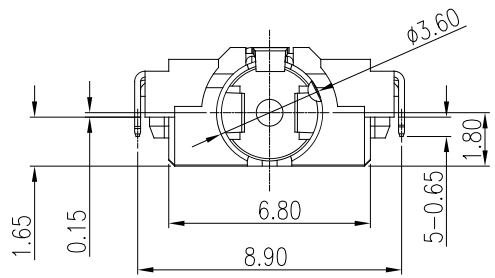


RoHS Compliant

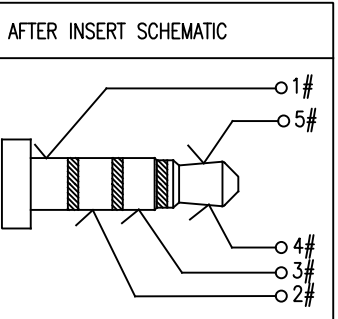
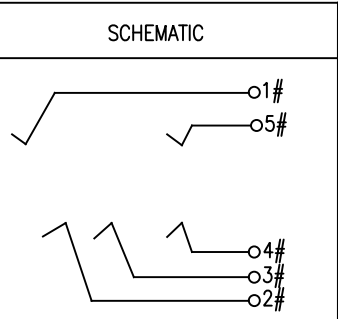
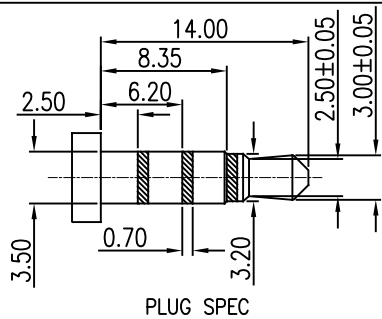
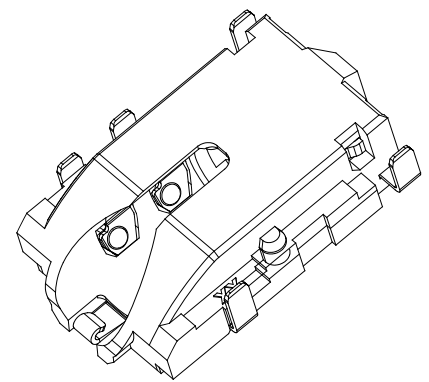
SYMBOL	REV.	REVISION	APPROVAL	DATE
	A	新版圖紙	Winky	2013.11.16



RECOMMEND PCB LAYOUT(TOP VIEW)  
TOLERANCE:±0.05

NOTES:

- CONTACT CURRENT RATING:12V 1A.
- CONTACT RESISTANCE: 50mΩ MAX.;
- INSULATION RESISTANCE: 100MΩ MIN.500V DC;
- DIELECTRIC WITHSTANDING: 500V AC MIN.;
- DURABILITY: 5,000 CYCLES MIN.;
- CONNECTOR MATING FORCES: 29.4N (3.00Kgf) MAX.;
- CONNECTOR UNMATING FORCES: 2.94N(0.30Kgf) MIN.;
- THE PRODUCT MACHINE WITH A GAP THAT:  
THE FINISHED MACHINE WITH SOCKET BEFORE/  
UP/DOWN/LEFT/RIGHT SIDE OF 5,PROTECTION GAP  
FIRST PROPOSED THE DESING OF 0.15mm



6	HOUSING	PPA	BLACK	
5	TERMINAL 5#	COPPER ALLOY		GOLD PLATING ON CONTACT & SOLDER TALL AREA ALL OVER NICKEL PLATING
4	TERMINAL 4#	COPPER ALLOY		
3	TERMINAL 3#	COPPER ALLOY		
2	TERMINAL 2#	COPPER ALLOY		
1	TERMINAL 1#	COPPER ALLOY		
NO.	DESCRIPTION	MATERIAL	COLOR	REMARK

**DST**-conn Tech. Co., Ltd.

COPYRIGHT RESERVED, PLEASE DO NOT COPY.

PART NAME	Ø3.50mm PHONE JACK CONN		DRAWING	Winky	DWG. No.	/	
PART NO.	DA02-336R-05GA3ZL2		CHECK	Roy	REV.	A	
UNIT : mm	TOLERANCE UNLESS OTHERWISE SPECIFIED	X.X ±0.30 X.XX ±0.20 X.XXX ±0.10	ANGLE	APPROVAL	John	DATE	2013.11.16
			±2°	SCALE	1:1	PAGE	1 OF 2