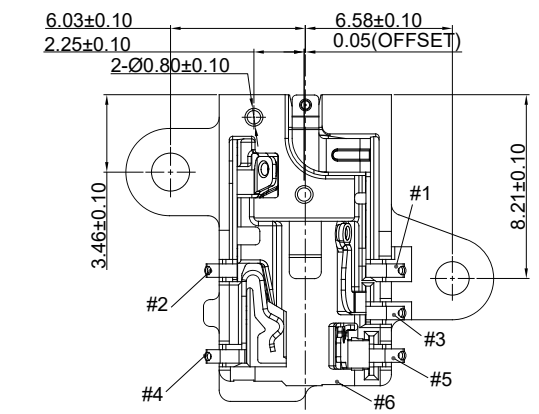
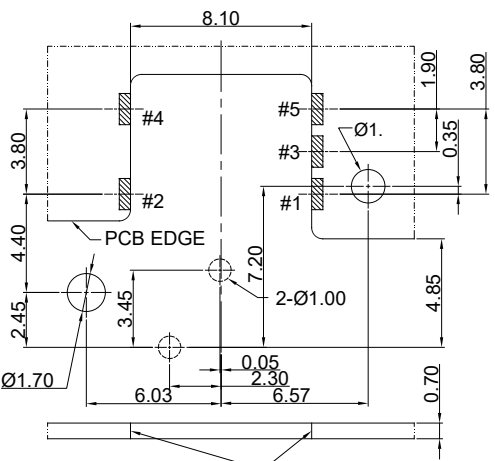
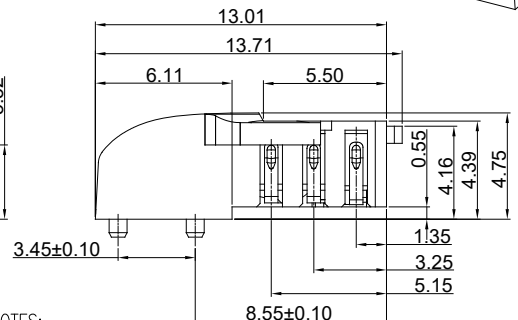
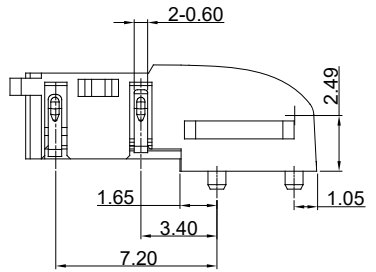
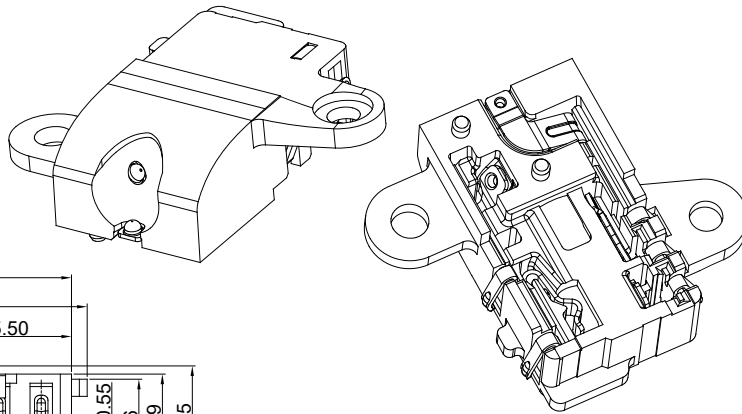
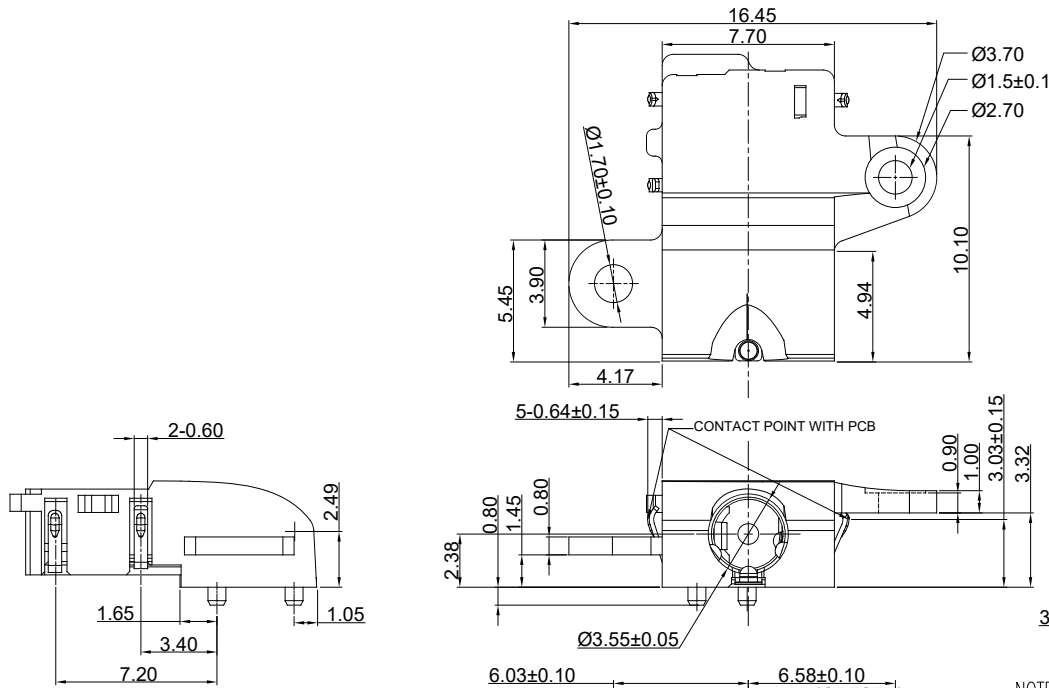


RoHS Compliant

SYMBOL	REV.	REVISION	APPROVAL	DATE
	A	新版圖紙	Winky	2016.05.05



NOTES:

1. MATERIAL: SEE "TABLE 1";
2. FINISH: SEE "TABLE 1";
3. ELECTRICAL:
 - 3.1. VOLTAGE RATING: 12 VAC RMS;
 - 3.2. CURRENT RATING: 1 AMP;
 - 3.3. CONTACT RESISTANCE: 30m Ω Max.(Initial), 50m Ω Max.(After Life test);
 - 3.4. INSULATION RESISTANCE: 1000 M Ω Min., 500VDC.(Initial), 100 M Ω Min., 500VDC.(After Humidity test);
 - 3.5. WITHSTAND VOLTAGE: 500 VAC RMS 50(60)Hz, 1 minute;
4. MECHANICAL:
 - 4.1. MATING FORCE: 3.0Kgf MAX.;
 - 4.2. UNMATING FORCE: 0.3Kgf MIN.;
 - 4.3. OPERATING LIFE: 5000 CYCLES MIN.;
5. ENVIRONMENTAL:
 - 5.1. OPERATION: -30°C~+80°C.

CONTACT AREA
Recommend PCB Layout Top View
Tolerance:±0.05, Thickness=0.70mm

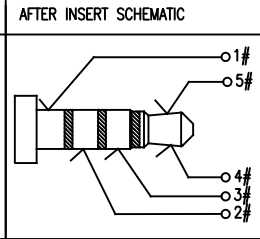
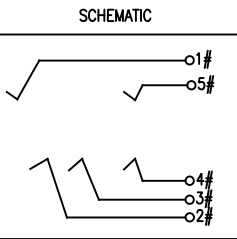
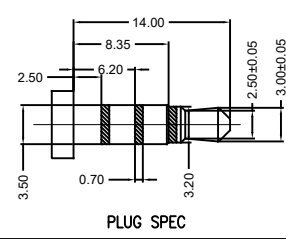


TABLE 1:

NO.	PART NAME	QTY	MATERIAL	DESCRIPTION	REMARK
⑥	Housing	1	PA46	Black	
⑤	5#Contact	5	COPPER ALLOY	Pb NICKEL ON CONTACT	T=0.20mm
④	4#Contact	4	COPPER ALLOY	Pb NICKEL ON CONTACT	T=0.20mm
③	3#Contact	3	COPPER ALLOY	Pb NICKEL ON CONTACT	T=0.20mm
②	2#Contact	2	COPPER ALLOY	Pb NICKEL ON CONTACT	T=0.20mm
①	1#Contact	1	COPPER ALLOY	Pb NICKEL ON CONTACT	T=0.20mm

DST-conn Tech. Co., Ltd.

COPYRIGHT RESERVED, PLEASE DO NOT COPY.

PART NAME	Ø3.5mm Phone Jack CONN.		DRAWING	Winky	DWG. No.	/
PART NO.	DA03-319P-05BC7ZA2		CHECK	Roy	REV.	A
UNIT :	TOLERANCE UNLESS OTHERWISE SPECIFIED	X. X ±0.30 X. XX ±0.20 X. XXX ±0.10	APPROVAL	John	DATE	2016.05.05
mm			SCALE	1:1	PAGE	1 OF 1

F E D C B A